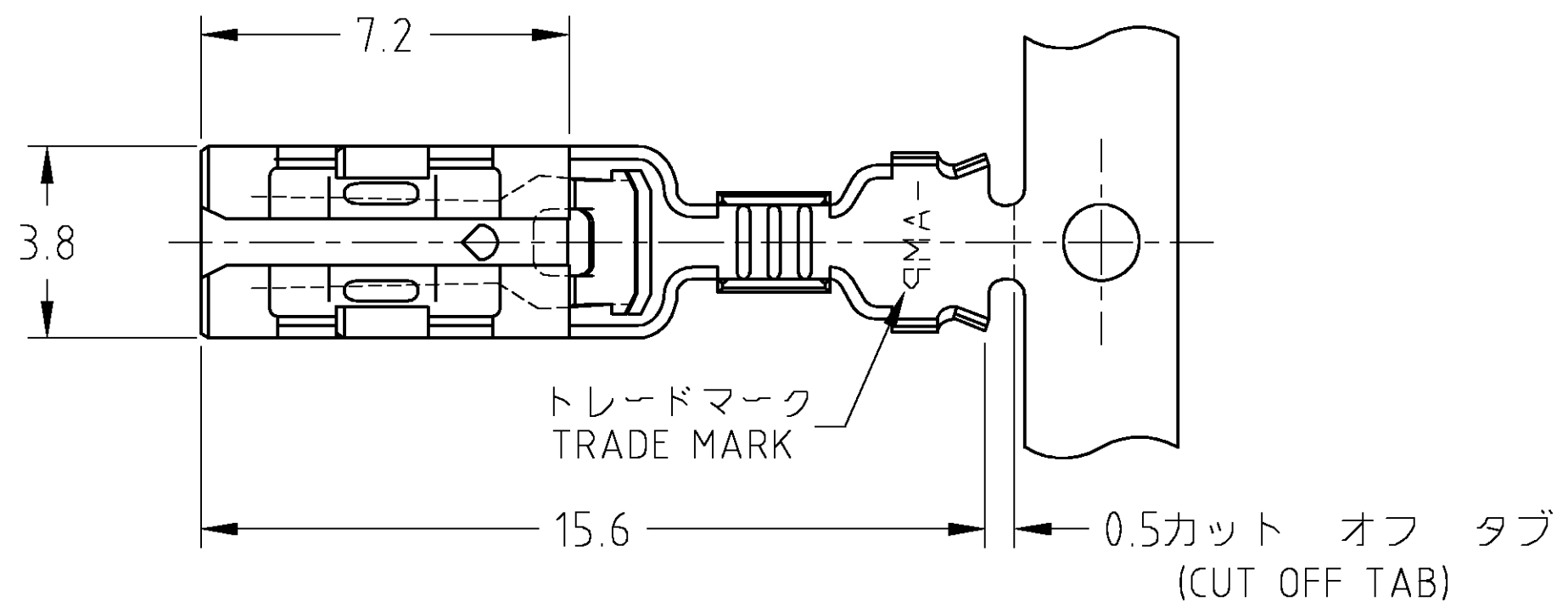
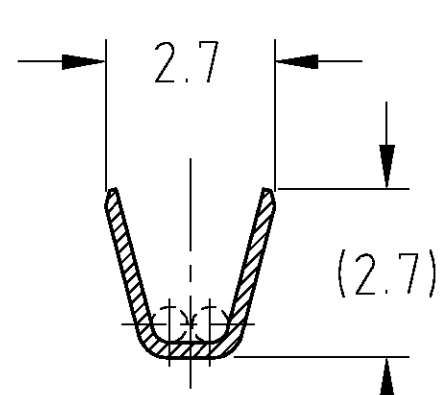
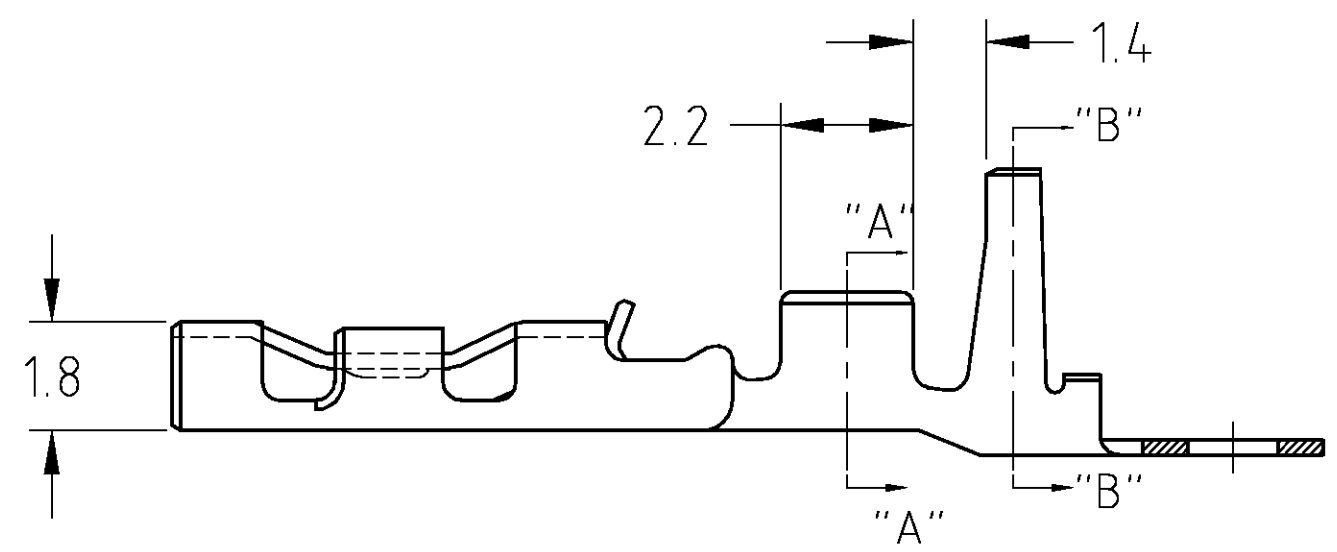
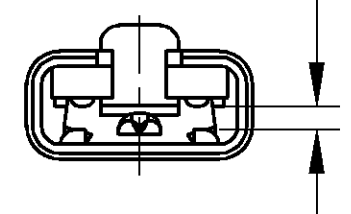


THIS DRAWING IS UNPUBLISHED. RELEASED FOR PUBLICATION  
 © COPYRIGHT BY TYCO ELECTRONICS CORPORATION. ALL RIGHTS RESERVED.

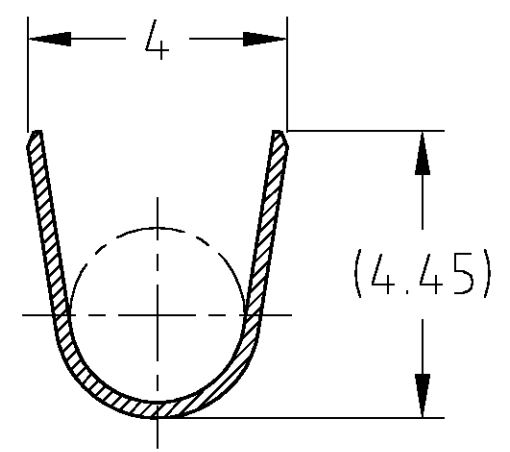
LOC	DIST	REVISIONS						
		P	LTR	DESCRIPTION	DATE	DWN	APVD	
J	-	C		REDRAWN WITH CHANGE	ECR-05-001287	20APR.'05	J.S	N.Y



110シリーズ・タブにカン合  
 MATING FOR 110 SERIES TAB



断面 "A" - "A"  
 SECT



断面 "B" - "B"  
 SECT

錫めっき済・燐青銅 (PRE-TIN PHOS-BRO)	353250-2
材料 (MATERIAL)	型番 (P/N)

WIRE RANGE 総合電線断面積 0.5~1.25mm <sup>2</sup> (AWG#20~#16)	INSULATION DIA 被覆外径 2.0~3.1 DIA
DWN J.SATO 20APR2005	Tyco Electronics AMP K.K. Kawasaki, Japan
CHK M.SUZUKI 20APR2005	
APVD N.YAMASAKI 20APR2005	
PRODUCT SPEC 製品規格 108-5530	NAME 名称 110 SERIES POSITIVE LOCK EX-III REC CONTACT(DOUBLE LOCK TYPE)
APPLICATION SPEC 取付適用規格 114-5229	SIZE A3
WEIGHT	CAGE CODE 00779
CUSTOMER DRAWING	DRAWING NO 番号 C-353250
	RESTRICTED TO -
	SCALE 尺度 8:1
	SHEET 1 OF 1
	REV C

THIS DRAWING IS A CONTROLLED DOCUMENT.	
DIMENSIONS: 単位: 耗 mm	TOLERANCES UNLESS OTHERWISE SPECIFIED: 一般公差
	10 ≥ ± 0.2
	30 ≥ >10 ± 0.25
	100 ≥ >30 ± 0.3 ± 0.3
MATERIAL 材料 SEE TABLE	FINISH 仕上