

THIS DRAWING IS UNPUBLISHED.

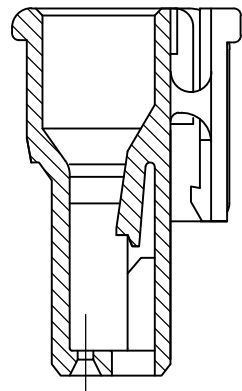
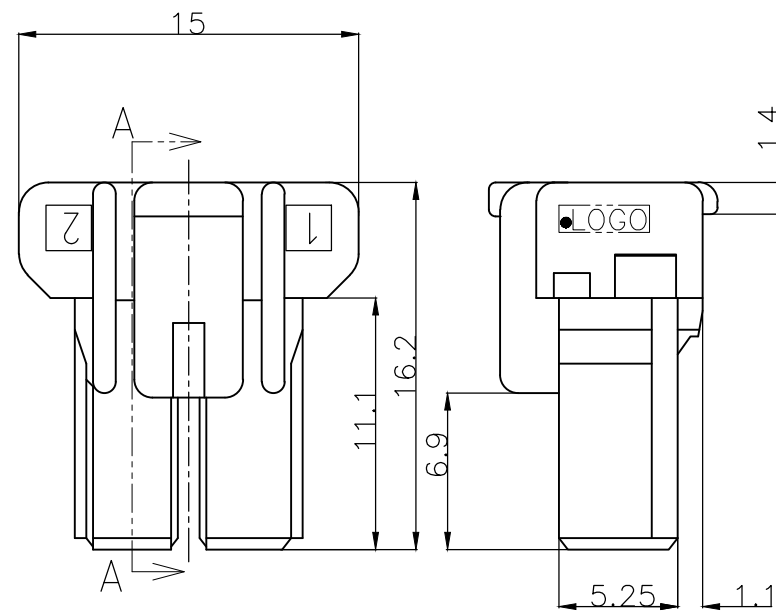
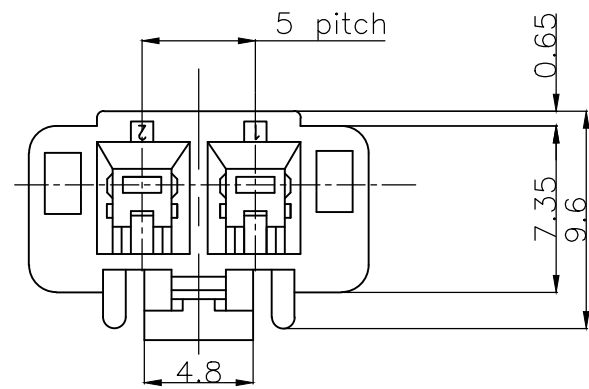
RELEASED FOR PUBLICATION

ALL RIGHTS RESERVED.

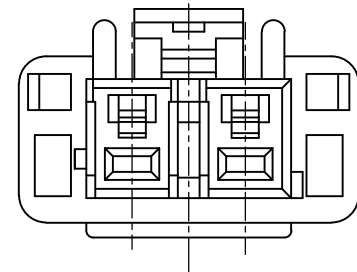
© COPYRIGHT - By -

REVISIONS

P	LTR	DESCRIPTION	DATE	DWN	APVD
	B5	REVISED PER ECR-19-005944	21MAY2019	MM	DZ



SECT A-A



1 MATING CONN. P/N
 HEADER ASS'Y :SEE TABLE
 REC CONTACT ;1376347-1,1376348-1

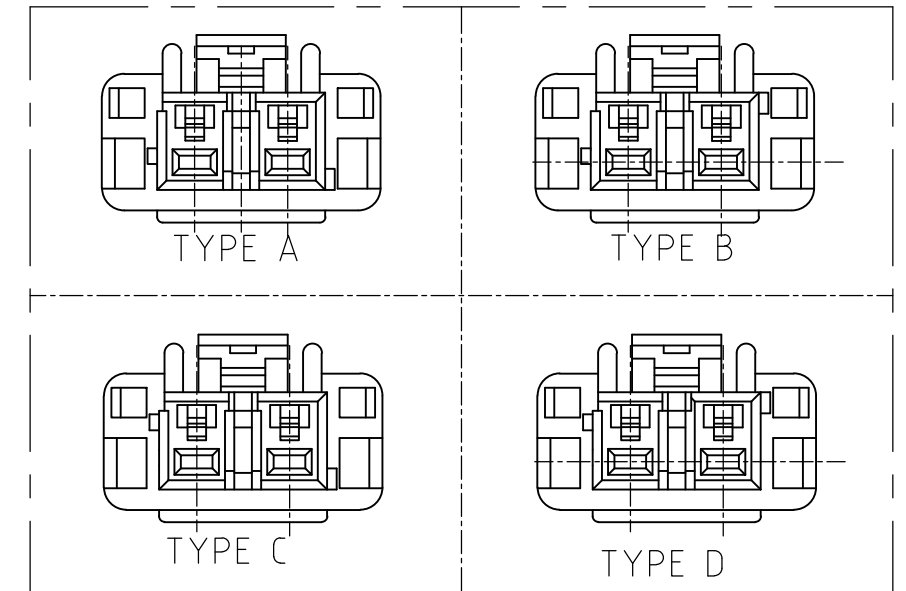
2 APPLICABLE PLATE P/N :1376394-1

3 PARTS COMPLY WITH GLOW WIRE
 REQUIREMENT FOR PARTS OF NON-METALLIC
 MATERIAL SUPPORTING A CURRENT-CARRYING
 CONNECTION DETAILED IN IEC 60335-1,
 SECTION 30 (GWT) .

△4 NYLON 6 GWT, V-2.

△5 NYLON 66, GWT, V-0.

THE TYPE OF KEYING



HOSING NAME	MATERIAL
	6 / 6 NYLON GRASS FILLED/ NYLON 6

△4	1376382-5	TYPE A	NATURAL	2POS	1376388-5
△5	3-1376382-4	TYPE D	YELLOW	2POS	3-1376388-4
△5	2-1376382-3	TYPE C	BLUE	2POS	2-1376388-3
△5	1-1376382-2	TYPE B	RED	2POS	1-1376388-2
△5	1376382-1	TYPE A	NATURAL	2POS	1376388-1
	MATING CONN. P/N	THE TYPE OF KEYING	COLOR	POS	PART NO.

THIS DRAWING IS A CONTROLLED DOCUMENT.

DIMENSIONS:	TOLERANCES UNLESS OTHERWISE SPECIFIED:
mm	GENRAL TOLERANCE ±0.20
	0 PLC ±
	1 PLC ±
	2 PLC ±
	3 PLC ±
	4 PLC ±
	ANGLES ±1°
MATERIAL	FINISH
SEE TABLE	SEE TABLE

DWN	A.OISHI	31AUG00
CHK	Y.KASHIWA	28AUG'00
APVD	Y.KASHIWA	28AUG'00
PRODUCT SPEC	108-5699	
APPLICATION SPEC	114-5292	
WEIGHT	CUSTOMER DRAWING	



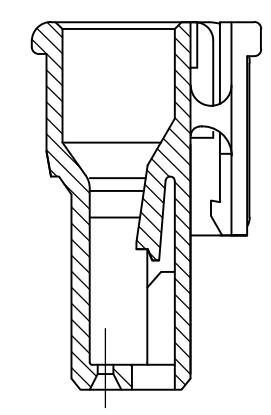
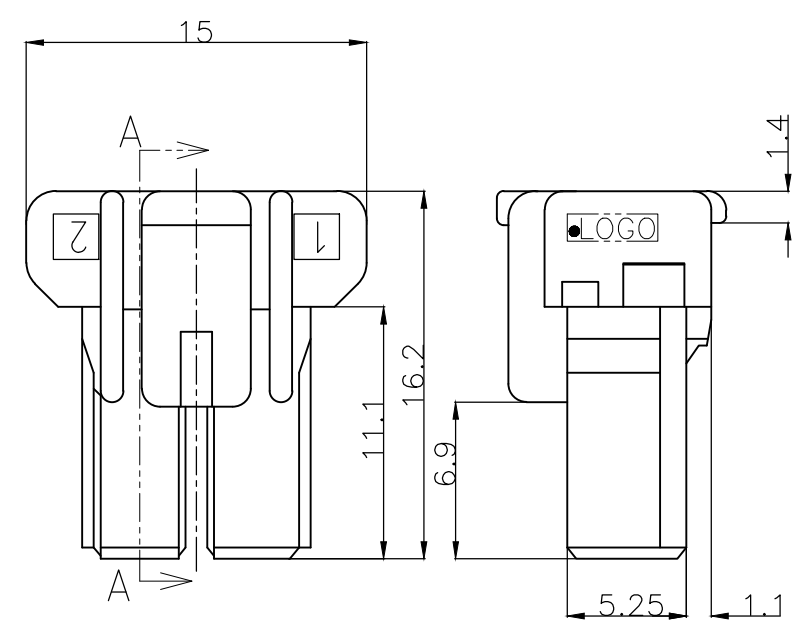
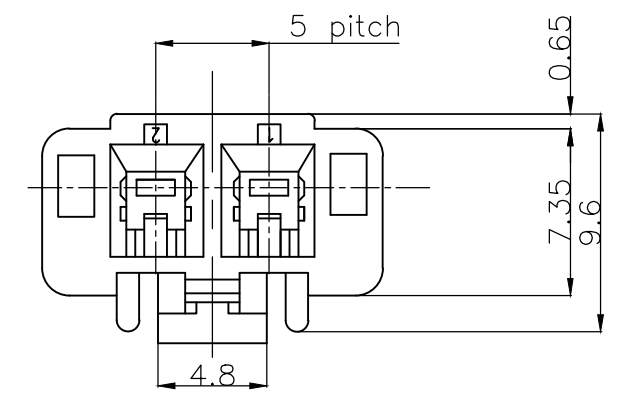
5.0 POWER KEY CONNECTOR
 2P PLUG HOUSING

SIZE	CAGE CODE	DRAWING NO	RESTRICTED TO
A3	00779	1376388	-

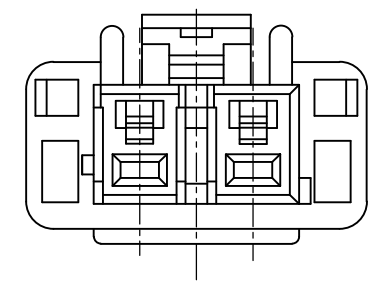
SCALE	SHEET	REV
3:1	1 of 2	B5

THIS DRAWING IS UNPUBLISHED. RELEASED FOR PUBLICATION
 © COPYRIGHT - By - ALL RIGHTS RESERVED.

REVISIONS					
P	LTR	DESCRIPTION	DATE	DWN	APVD
-	-	SEE SHEET 1	-	-	-

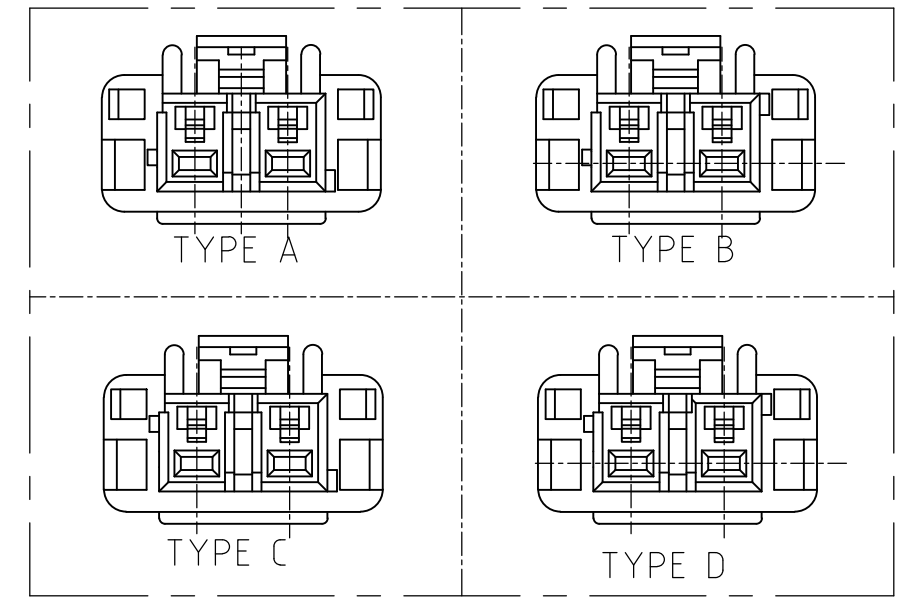


SECT A-A



- 1 MATING CONN. P/N
 HEADER ASS'Y :SEE TABLE
 REC CONTACT ;1376347-1,1376348-1
- 2 APPLICABLE PLATE P/N :1376394-1

THE TYPE OF KEYING



HOSING	6 / 6 NYLON
NAME	MATERIAL

△5	3-1376382-5	TYPE D	YELLOW	2POS	3-1376388-5
△5	2-1376382-4	TYPE C	BLUE	2POS	2-1376388-4
△5	1-1376382-3	TYPE B	RED	2POS	1-1376388-3
△5	1376382-2	TYPE A	NATURAL	2POS	1376388-2
	MATING CONN. P/N	THE TYPE OF KEYING	Color	POS	PART NO.

THIS DRAWING IS A CONTROLLED DOCUMENT.		DWN A.OISHI 31AUG00	TE Connectivity		
DIMENSIONS: mm		CHK Y.KASHIWA 28AUG'00			
TOLERANCES UNLESS OTHERWISE SPECIFIED: GENGRAL TOLERANCE ±0.20		APVD Y.KASHIWA 28AUG'00	NAME 5.0 POWER KEY CONNECTOR 2P PLUG HOUSING		
0 PLC ± 1 PLC ± 2 PLC ± 3 PLC ± 4 PLC ± ANGLES ±1°		PRODUCT SPEC 108-78863	SIZE A3		
MATERIAL SEE TABLE		FINISH SEE TABLE	APPLICATION SPEC 114-5292	CAGE CODE 00779	DRAWING NO C-1376388
CUSTOMER DRAWING			WEIGHT -	RESTRICTED TO -	SCALE 3:1
			SHEET 2 OF 2		REV B5