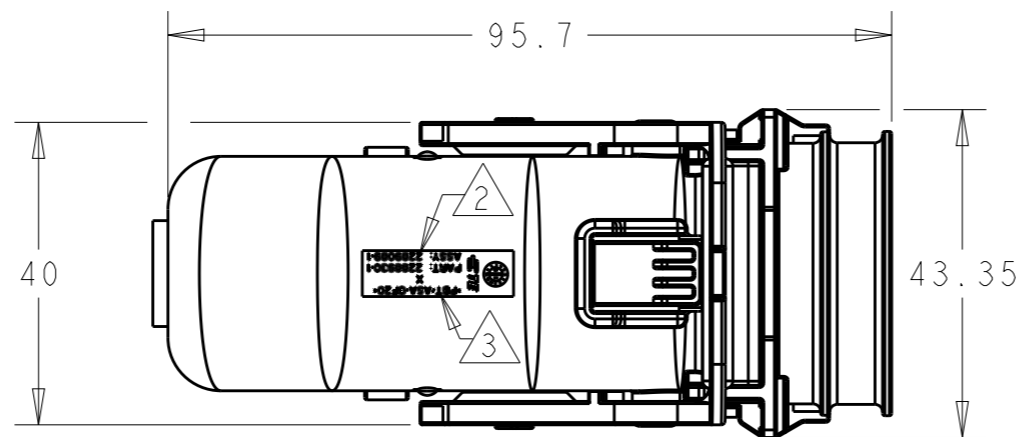
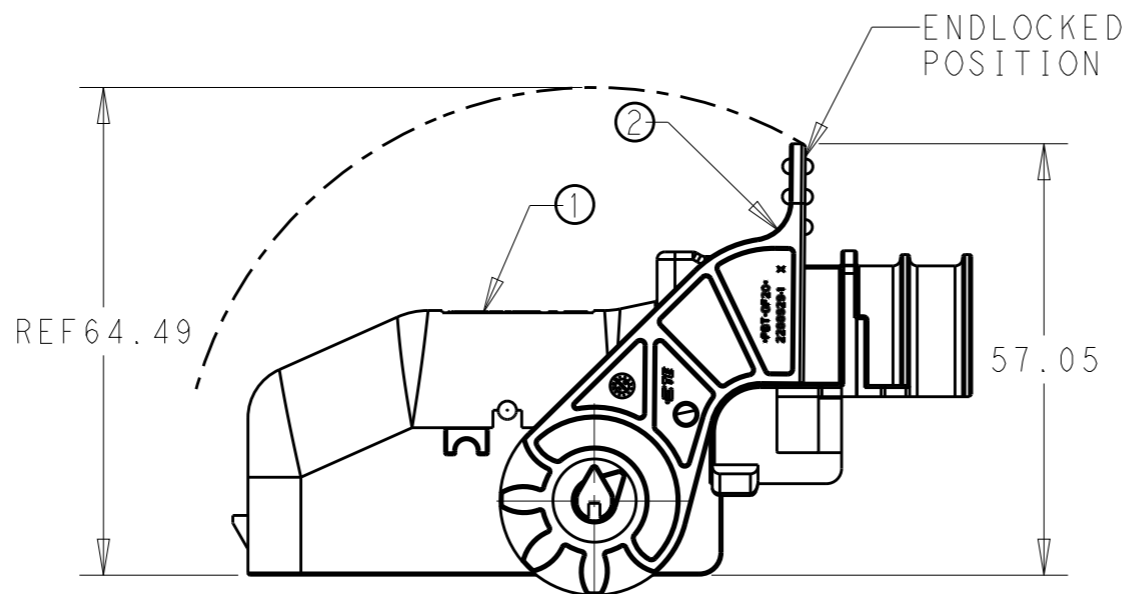
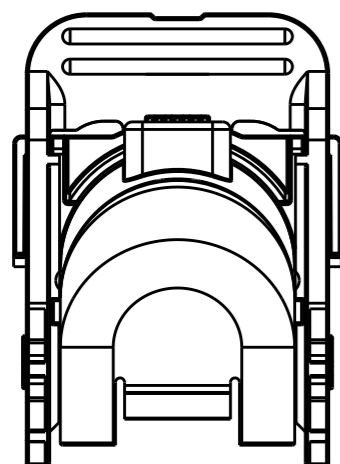
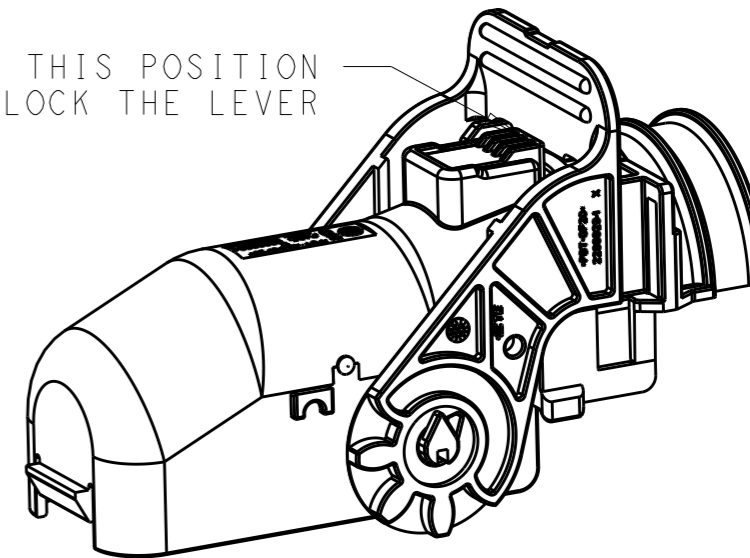


THIS DRAWING IS UNPUBLISHED. RELEASED FOR PUBLICATION 2015
 © COPYRIGHT 2015 BY -TE Connectivity ALL RIGHTS RESERVED.

| REVISIONS | | | | | |
|-----------|-----|-------------|-----------|-----|------|
| P | LTR | DESCRIPTION | DATE | DWN | APVD |
| | A | RELEASED. | 06MAY2015 | R.P | S.W |
| | | | | | |
| | | | | | |



PRESS THIS POSITION TO UNLOCK THE LEVER



NOTES:

- 1 ASSEMBLY DELIVERED WITH LEVER IN ENDLOCKED POSITION.
- 2 TE PART AND ASSEMBLY PART NO.
- 3 MATERIAL IDENTIFICATION.

| | |
|------------|-----------------------------|
| MATED WITH | 1452931, 1452995 2137768 |
|------------|-----------------------------|

| QTY REQD PER ASSY | PART NO | DESCRIPTION | MATERIAL | COLOUR | ITEM NO | |
|-------------------|-----------|----------------------------------|--------------|--------------|------------------|---|
| 1 | 1 | 2288929-1 | 76POS, LEVER | PBT-GF20 | BLACK | 2 |
| 1 | - | 2288930-2 | 76POS, COVER | PBT/ASA-GF20 | YELLOW(RAL 1018) | 1 |
| - | 1 | 2288930-1 | 76POS, COVER | PBT/ASA-GF20 | BLACK | 1 |
| 29.22 | 29.22 | WEIGHT OF EACH ASSEMBLY NO (g) | | | | |
| 2289089-2 | 2289089-1 | ASSEMBLY PART NUMBER | | | | |

| | | | | | |
|----------------------------------------------------------------------------|--|------------------------------|------------------------------------------|--------------------|-------------------------|
| THIS DRAWING IS A CONTROLLED DOCUMENT. | | DWN R. PAN 06MAY2015 | TE Connectivity | | |
| DIMENSIONS: mm | | CHK A. DANG 07MAY2015 | | | |
| TOLERANCES UNLESS OTHERWISE SPECIFIED: | | APVD S. WANG 07MAY2015 | NAME 76 POS, COVER AND LEVER ASSEMBLY | | |
| 0 PLC ±0.5 1 PLC ±0.5 2 PLC ±0.5 3 PLC ± 4 PLC ± ANGLES ±1° | | PRODUCT SPEC - | - | | |
| MATERIAL - | | FINISH - | APPLICATION SPEC - | RESTRICTED TO - | |
| - | | WEIGHT 29.22g | SIZE A3 | CAGE CODE - | DRAWING NO C-2289089 |
| - | | Customer Drawing | SCALE 1:1 | SHEET 1 OF 1 | REV A |