

4

3

2

1

THIS DRAWING IS UNPUBLISHED.

RELEASED FOR PUBLICATION

20

© COPYRIGHT 20

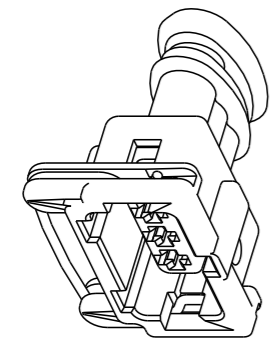
BY TYCO ELECTRONICS CORPORATION.

ALL INTERNATIONAL RIGHTS RESERVED.

LOC
ES
DIST
00

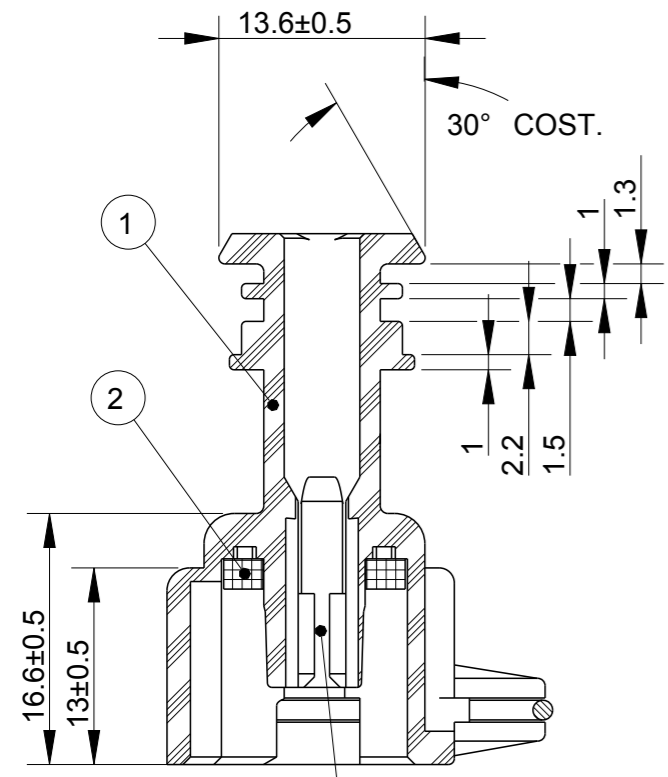
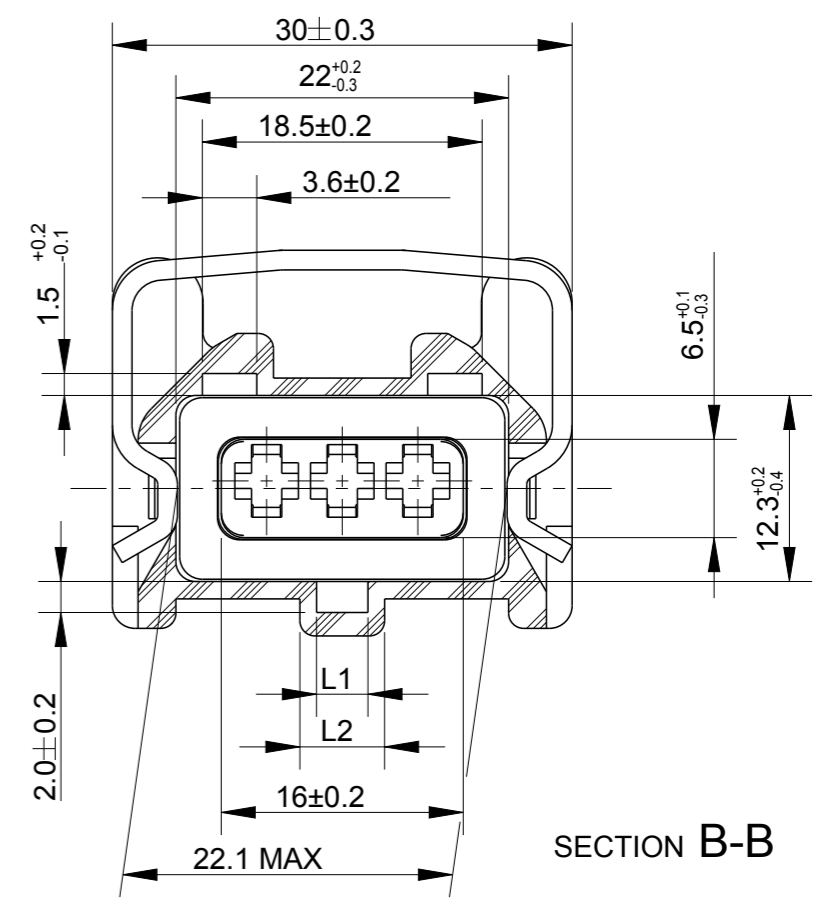
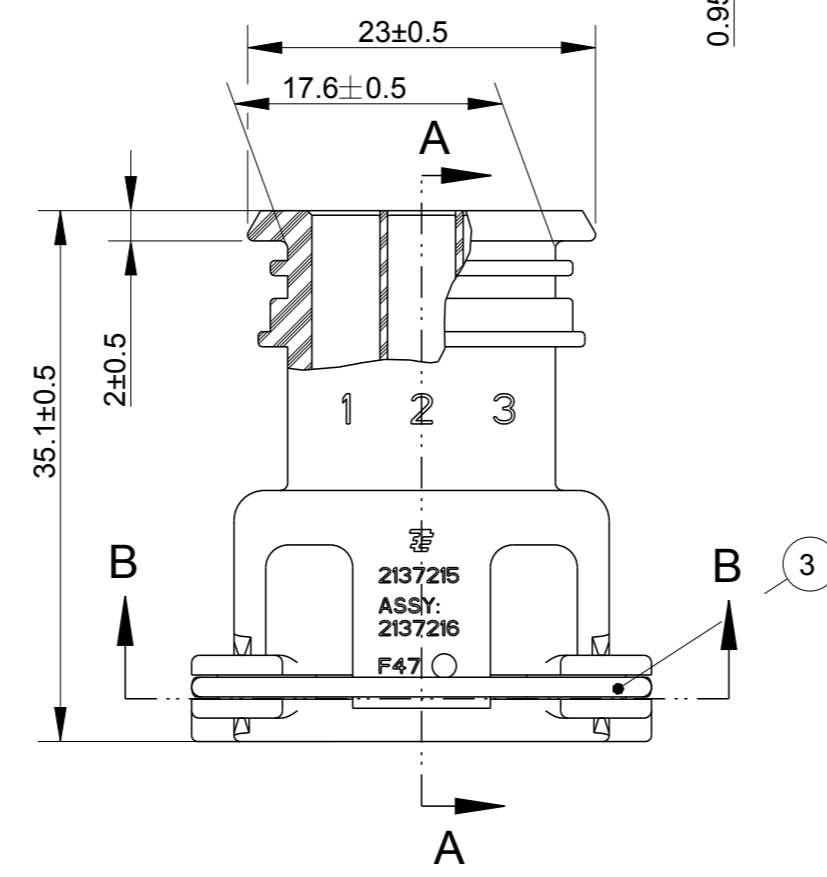
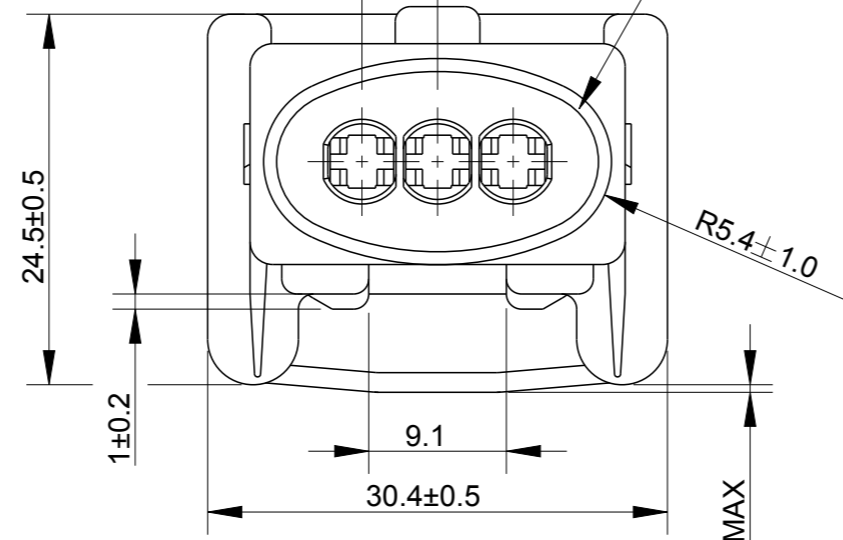
REVISIONS

P	LTR	DESCRIPTION	DATE	DWN	APVD
	A	RELEASED	20SEP10	J.C	K.O
	A1	ECR-11-014281	11JUL11	J.C	I.Y
	A2	ECR-12-001993	01FEB12	J.C	I.Y



SCALE 1:1

PITCH 5±0.15 TYP.



SECTION A-A

TIP. CAVITY FOR JPT CONTACT P/N 929939-... A/O 929937-... AND REL.
 SINGLE WIRE SEAL P/N 828904-1,828905-1,282536-1
 CAVITY PLUG P/N 828906-2

N°	FINISH/COLOUR	MATERIAL	DESCRIPTION
3	-	STAINLESS STEEL	SPRING
2	NATURALE	RUBBER	SEAL
1	-	PBT GF30	HOUSING

THIS DRAWING IS A CONTROLLED DOCUMENT FOR TYCO ELECTRONICS CORPORATION
 IT IS SUBJECT TO CHANGE AND THE CONTROLLING ENGINEERING ORGANIZATION
 SHOULD BE CONTACTED FOR THE LATEST REVISION.

DIMENSIONS:	TOLERANCES UNLESS OTHERWISE SPECIFIED:
mm	± 0.3
	0 PLC ±-
	1 PLC ±0.1
	2 PLC ±0.05
	3 PLC ±0.005
	4 PLC ±0.0050
	ANGLES ±2°
MATERIAL	FINISH

DWN	J.CHEN	10SEP10
CHK	Y.YANG	10SEP10
APVD	K.ODA	20SEP10
PRODUCT SPEC	108-20091	
APPLICATION SPEC	-	
WEIGHT	-	

Tyco Electronics Tyco Electronics
 Shanghai, China

NAME: 3 POS. SPLASH CONN. ASS'Y

SIZE	CAGE CODE	DRAWING NO	RESTRICTED TO
A3	00779	2137216	-

CUSTOMER DRAWING SCALE 2:1 SHEET 1 OF 1 REV A2

NOTE:

1. INTERFACE DRAWING SEE DRAWING C-282191 PAGE2.

TE P/N	COLOR	DIM.L1	DIM.L2
2137216-9	ROSE	8.4 ±0.2	10.6
2137216-8	LIGHT BLUE	8.4 ±0.2	10.6
2137216-7	BALCK	8.4 ±0.2	10.6
2137216-6	BROWN(RAL 8007)	3.4 ±0.2	5.6
2137216-5	BLUE(RAL 5015)	3.4 ±0.2	5.6
2137216-4	GREEN(RAL 6029)	3.4 ±0.2	5.6
2137216-3	NATURAL	3.4 ±0.2	5.6
2137216-2	GREY(RAL 7000)	3.4 ±0.2	5.6
2137216-1	BLACK(RAL 9005)	3.4 ±0.2	5.6