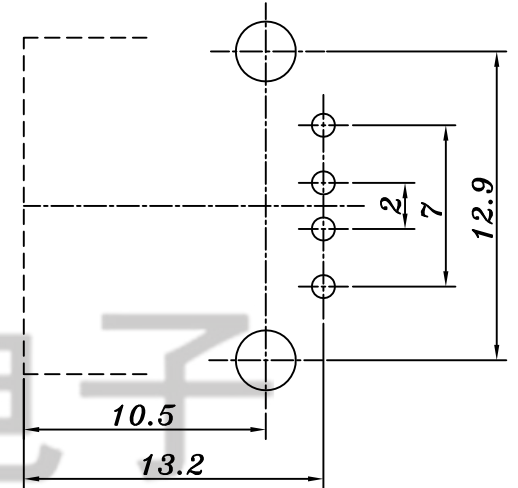
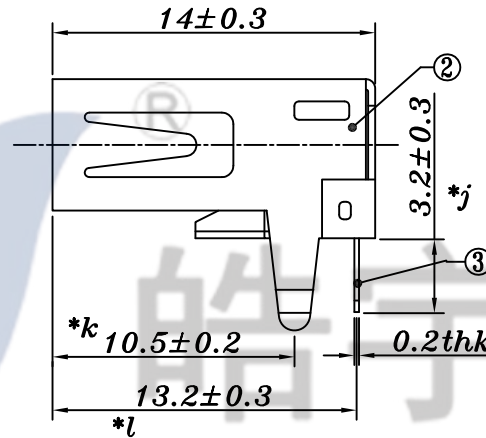
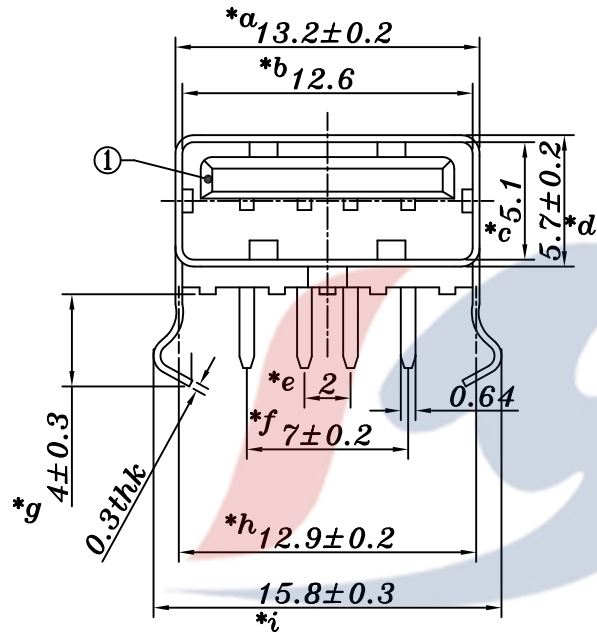


PCB LAYOUT



W: 白色胶舌
FE: 铁外壳

					TOLERANCE UNLESS SPECIFIED								
					UP TO 5mm: ±0.1	ANGULAR	1	2018.12.4	更新图纸		XYZ		
					ABOVE 5mm: ±0.2	±1°	NO	DATE	REVISIONS		BY APPD		
3	CONTACT FOOT	BRASS	4	Ag/Au-PLATED	TITLE: USB JACK			UNIT : MM	ROHS	DWN			
2	COAT	IRON	1	Ni-PLATED	MODEL: USB-103B-W-FE			SCALE: 1:1	COMPLIANT	CHK'D			
1	HOUSING	PBT	1		HAOYU(HONGKONG)LIMITED							APPD	
					皓宇(香港)有限公司							PRO.AGL:	REV:A1