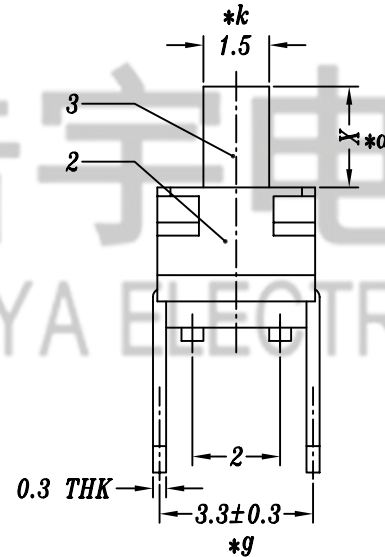
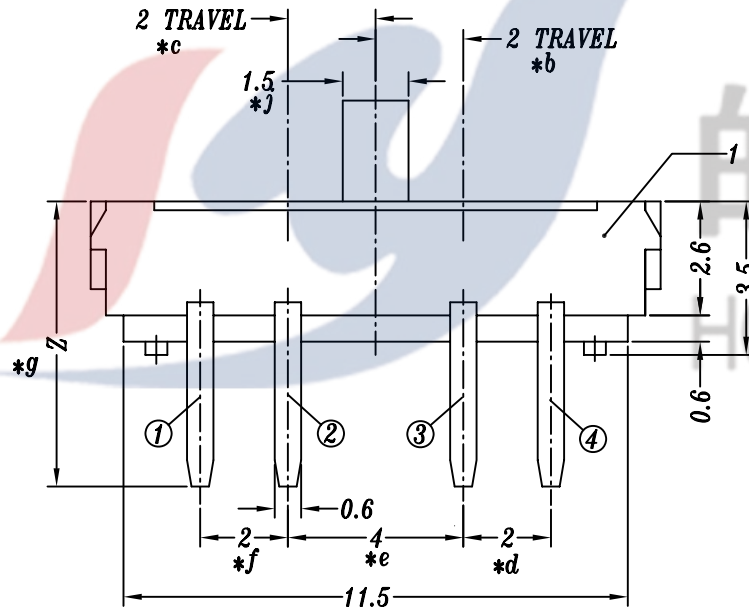
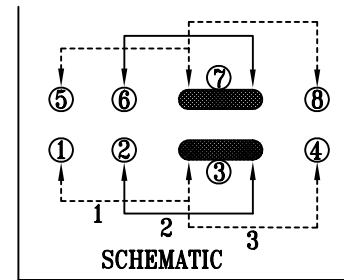


P.C.B LAYOUT



SPECIFICATION

1. Rating: DC 12V 0.3A
2. Travel: 2 mm
3. Function: 2P3T
4. Contact Resistance:  $\leq 70m\Omega$  MAX
5. Operating Force:  $250 \pm 80gf$
6. Life test: 10,000 cycles

KNOB X=1.5, 1.8, 2.0, 3.0, 3.5, 4.0, 5.0, 6.0mm

G2 : 胶柄长2mm B: 胶柄黑色

脚长	Z
T3.0	6.5
T1.5	5.0

				TOLERANCE UNLESS SPECIFIED								
				UP TO 5mm: $\pm 0.1$	ANGULAR	A2	2018.03.15	材质MK22D10弹线改为MK23D38弹线 增加柄高6.0mm		PWJ		
				ABOVE 5mm: $\pm 0.2$	$\pm 1^\circ$	A1	2017.06.29	新增T1.5规格		GYW		
						NO	DATE	REVISIONS		BY APPD		
4	MK23D38 SPRING	PBS	2	NATURAL	TITLE: MINI SLIDE SWITCH			UNIT : MM	ROHS COMPLIANT	DWN		
3	MS23D18 KNOB	PA66/PA6T/PA46	1	BLACK/WHITE	MODEL: MS-23D18G2-B 弹线			SCALE: 6:1	COMPLIANT	CHK'D		
2	MS23D18 COVER	0.2mm SUS	1	WASHING	<b>HAOYU(HONGKONG)LIMITED</b> 皓宇(香港)有限公司						APPD	
1	MS23D18 CASE	PA6T/9# BRASS STRIP	1	BLACK/Ag PLATED							PRO.AGL:	
NO.	PART NAME	MATERIAL	QTY	FINISHING								