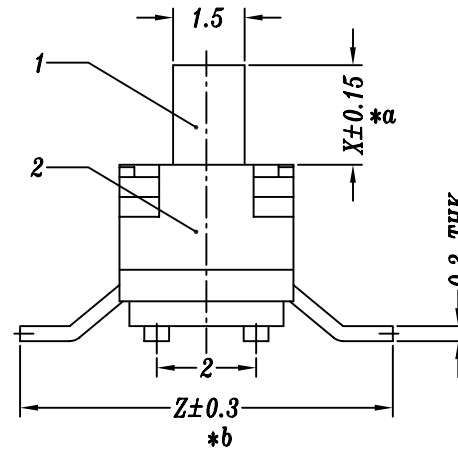
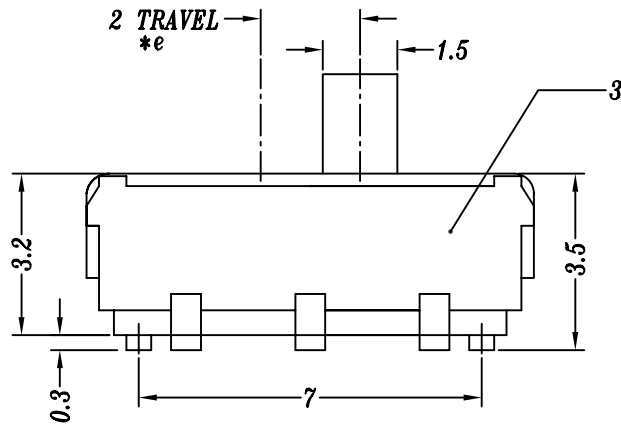
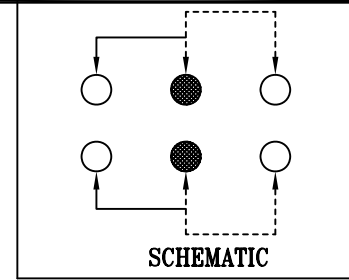


P.C.B LAYOUT



SPECIFICATION

1. Rating: DC 12V 0.3A
2. Travel: 2 mm
3. Function: 2P2T
4. Contact Resistance: $\leq 70\text{m}\Omega\text{MAX}$
5. Operating Force: $130\pm 50\text{gf}$, $200\pm 80\text{gf}$, $300\pm 100\text{gf}$
6. Life test: 10,000 cycles

KNOB X=1.5, 2, 2.3, 3, 3.5, 4, 5, 6mm
 TERMINAL Z=5.0 6.9 7.5 10.5mm

G2: 胶柄长2mm
 B : 胶柄黑色

				TOLERANCE		A2	2017.09.29	新增胶柄高度规格		PWJ		
				UNLESS SPECIFIED		A1	2017.02.10	新增T6.9规格		GYW		
				UP TO 5mm: ±0.1	ANGULAR	A0	2016.12.30	首次发行		GYW		
				ABOVE 5mm: ±0.2	±1°	NO	DATE	REVISIONS		BY APPD		
4	MK22D10 SPRING	PBS	2	NATURAL	TITLE:MINI SLIDE SWITCH			UNIT : MM	ROHS COMPLIANT	DWN		
3	MS22D17 CASE(MS-22D16)	PA6T/0.3mm BRASS STRIP	1	BLACK/Ag PLATED	MODEL:MS-22D17 G2-B 弹线			SCALE: 6:1		CHK'D		
2	MS22D16 COVER	0.15mm SUS	1	WASHING	HAOYU(HONGKONG)LIMITED 皓宇(香港)有限公司						APPD	
1	MS22D16 KNOB	PA6T	1	BLACK							PRO.AGL:	
NO.	PART NAME	MATERIAL	QTY	FINISHING								