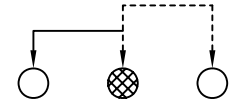


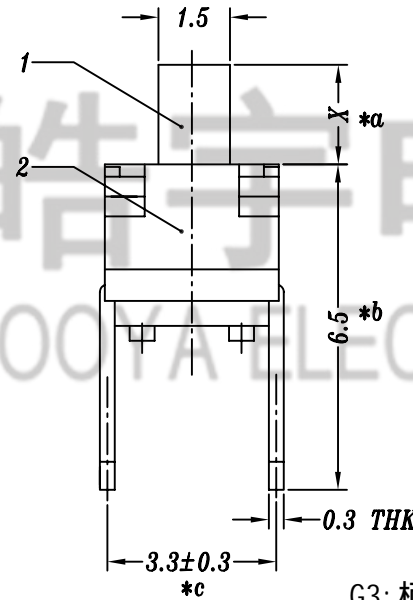
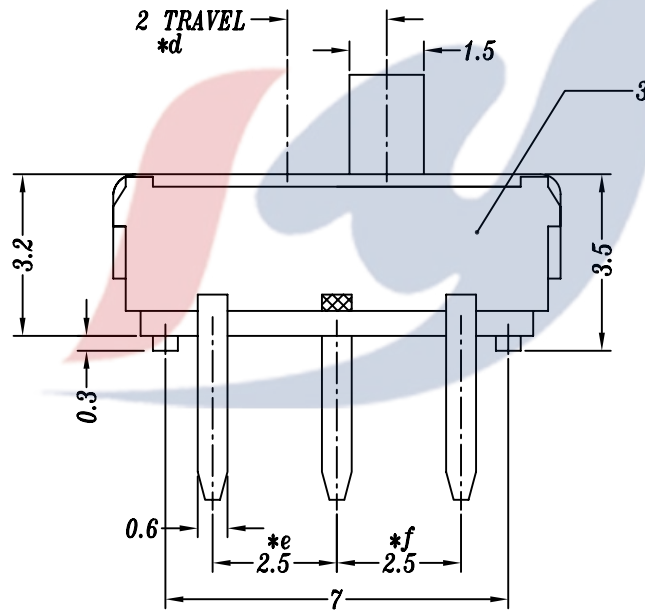
P.C.B LAYOUT



SCHEMATIC

注：接触片分两种

- 1. 铍铜接触片
- 2. 磷铜接触弹片



SPECIFICATION

- 1. Rating: DC 12V 0.3A
- 2. Travel: 2 mm
- 3. Function: 1P2T
- 4. Contact Resistance:  $\leq 70\Omega$  MAX
- 5. Operating Force:  $130\pm 30\text{gf}$ ,  $200\pm 80\text{gf}$
- 6. Life test: 10,000 cycles

△ KNOB X=1.5 2, 3, 4, 5.0 5.5mm

G3: 柄长3mm  
B: 胶柄黑色

				TOLERANCE							
				UNLESS SPECIFIED		A2	2019.04.20	△ 新增柄高1.5 5.0规格		GYW	
				UP TO 5mm: ±0.1	ANGULAR	A1	2016.12.22	新增柄高5.5规格		GYW	
				ABOVE 5mm: ±0.2	±1°	NO	DATE	REVISIONS		BY	APPD
4	MK22D10 CONTACT/SPRING	BERYLLIUM/PBS	1	Ag PLATED/NATURAL	TITLE:MINI SLIDE SWITCH		UNIT : MM	ROHS COMPLIANT	DWN		
3	MS12D16 CASE	PA9T/0.3mm BRASS STRIP	1	BLACK/Ag(Ni) PLATED	MODEL:MS-12D16G3-B 弹线		SCALE: 6:1	CHK'D			
2	MS22D16 COVER	0.2mm SUS	1	WASHING	<b>HAOYU(HONGKONG)LIMITED</b> 皓宇(香港)有限公司		APPD				
1	MS22D16 KNOB	PA46/PA9T	1	WHITE/BLACK			PRO.AGL:		REV :A2		
NO.	PART NAME	MATERIAL	QTY	FINISHING							