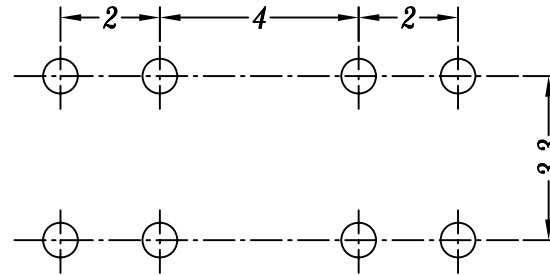
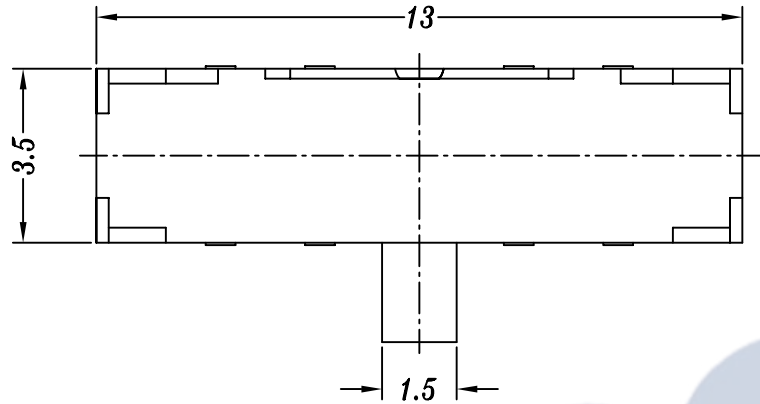
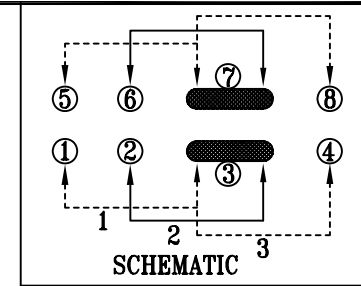


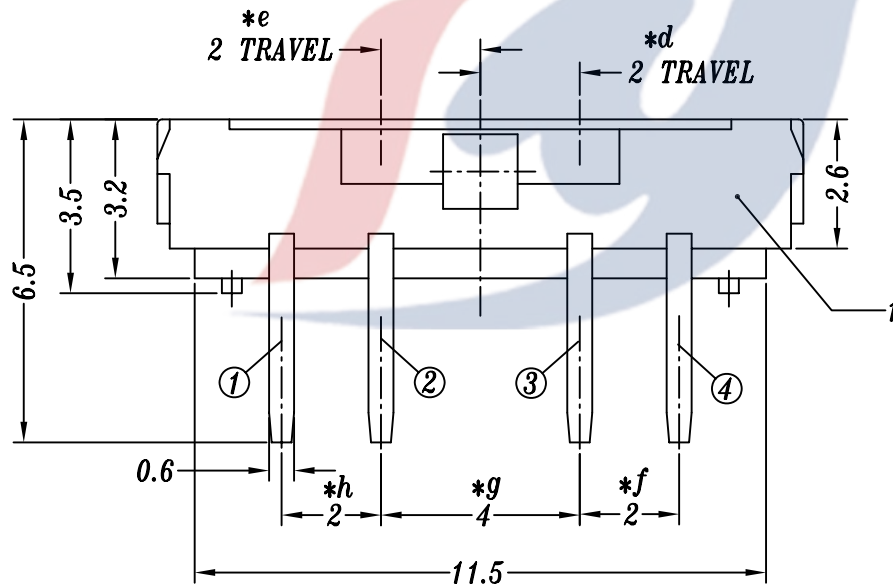
HAOYU



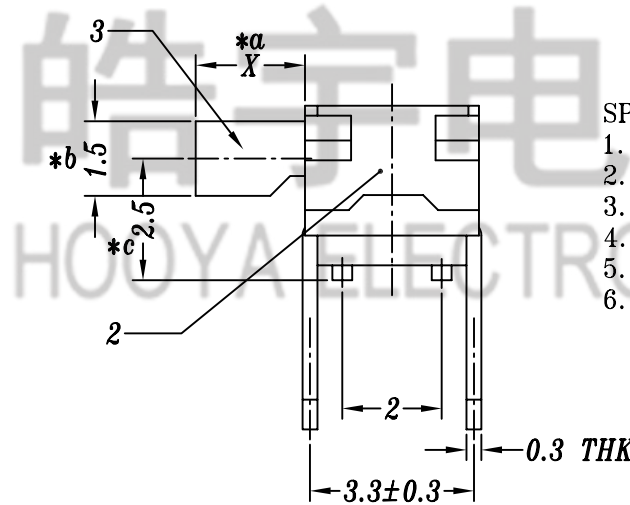
P.C.B LAYOUT



注: 接触片分两种  
1. 磷铜接触片  
2. 磷铜接触弹线



G2 : 胶柄长2mm  
B : 胶柄黑色



SPECIFICATION

1. Rating: DC 12V 0.3A
2. Travel: 2 mm
3. Function: 2P3T
4. Contact Resistance:  $\leq 70\text{m}\Omega\text{MAX}$
5. Operating Force:  $200\pm 80\text{gf}$ ,  $300\pm 100\text{gf}$ ,
6. Life test: 10,000 cycles

KNOB X=2, 3, 4mm

				TOLERANCE UNLESS SPECIFIED							
				UP TO 5mm: $\pm 0.1$	ANGULAR	1					
				ABOVE 5mm: $\pm 0.2$	$\pm 1^\circ$	NO	DATE	REVISIONS		BY	APPD
4	MK-22D10 CONTACT/SPRING	BERYLLIUM/PBS	2	Ag PLATED/NATURAL	TITLE: MINI SLIDE SWITCH		UNIT : MM	ROHS COMPLIANT	DWN		
3	KNOB	PA66	1	BLACK	MODEL: MK-23D38G2-B弹线		SCALE: 6:1		CHK'D		
2	COVER	0.2mm SUS	1	WASHING	<b>HAOYU(HONGKONG)LIMITED</b> 皓宇(香港)有限公司				APPD		
1	CASE	PA6T/BRASS	1	BLACK/Ag PLATED							PRO.AGL:
NO.	PART NAME	MATERIAL	QTY	FINISHING							