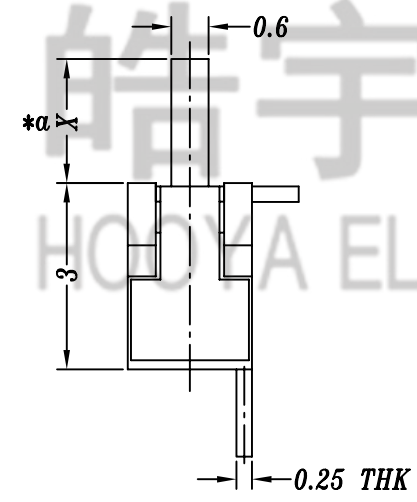
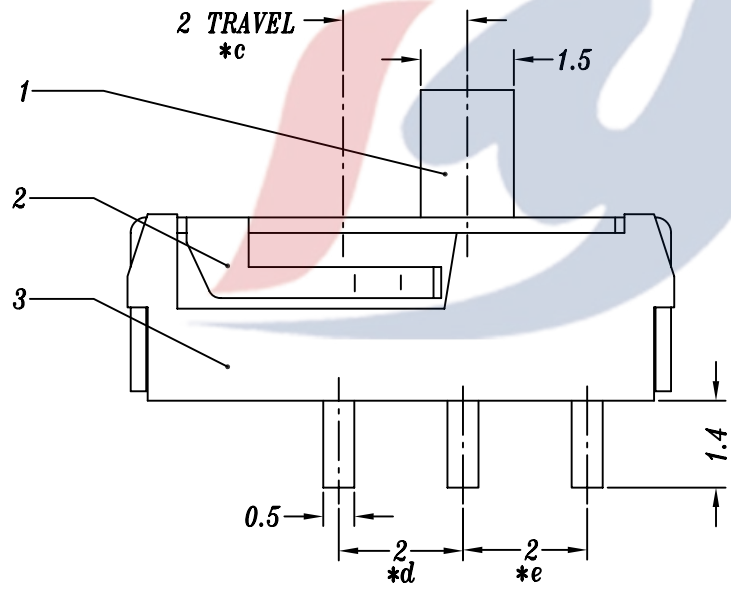


P.C.B LAYOUT

注：接触片分两种  
 1. 铍铜接触片  
 2. 磷铜接触弹线



SPECIFICATION

1. Rating: DC 12V 0.3A
2. Travel: 2 mm
3. Function: 1P2T
4. Contact Resistance: <math>\leq 70\text{m}\Omega\text{MAX}</math>
5. Operating Force:  $200\pm 80\text{gf}$ ,  $300\pm 100\text{gf}$
6. Life test: 10,000 cycles

G2: 柄长2mm  
 E: 力度 $250\pm 50$   
 B: 胶柄黑色

				TOLERANCE UNLESS SPECIFIED							
				UP TO 5mm: $\pm 0.1$	ANGULAR	1					
				ABOVE 5mm: $\pm 0.2$	$\pm 1^\circ$	NO	DATE	REVISIONS		BY	APPD
4	CONTACT/SPRING	BERYLLIUM/PBS	1	Ag PLATED/NATURAL	TITLE: MINI SLIDE SWITCH		UNIT : MM	ROHS COMPLIANT	DWN		
3	CASE	PA6T/0.25mm BRASS STRIP	1	BLACK	MODEL: MK-12D70G2-E-B		SCALE: 8:1		CHK'D		
2	COVER	0.25mm SUS	1	WASHING	<b>HAOYU(HONGKONG)LIMITED</b> 皓宇(香港)有限公司				APPD		
1	KNOB	PA6T	1	WHITE/BLACK							PRO.AGL:
NO.	PART NAME	MATERIAL	QTY	FINISHING							