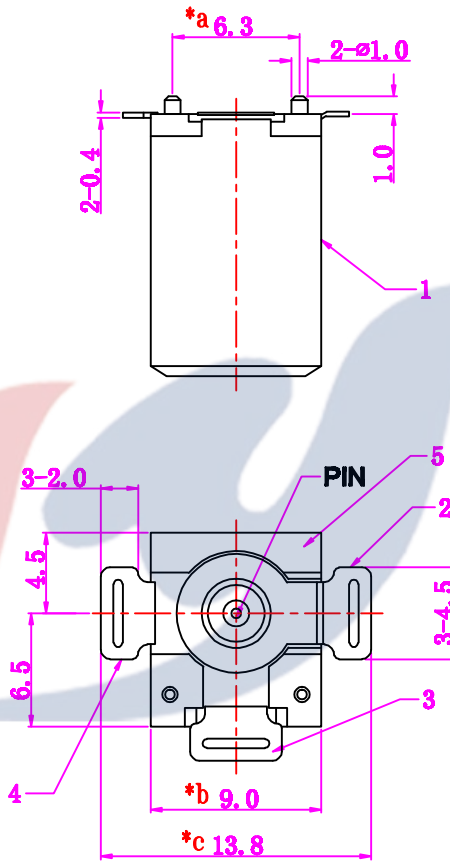


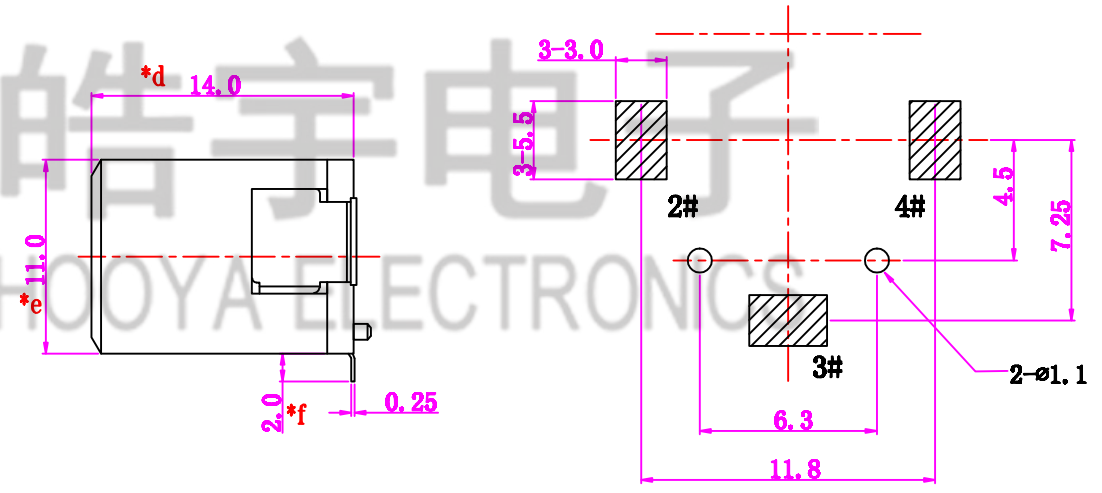
SCHEMATIC



PIN	∅2.0	∅2.5
APPD.		



皓宇电子  
HOUYA ELECTRONICS



注:\*表示关键尺寸6个.

				TOLERANCE UNLESS SPECIFIED							
				UP TO 5mm: ±0.1	ANGULAR	A0	2018. 3. 19	初版		PWJ	
				ABOVE 5mm: ±0.2	±1°	NO	DATE	REVISIONS		BY	APPD
6	DC530 PIN	BRASS	1	Ni PLATED	TITLE: DC JACK		UNIT : MM	ROHS COMPLIANT	DWN		
5	DC530 COVER	LCP	1		MODEL: DC-530 2.0		SCALE: 4:1	CHK'D			
4	DC530 4# CURVE PIECE	BRASS	1	Au PLATED			APPD		PRO.AGL:   REV :A0		
3	DC530 3# SPRING	PBS	1	Au PLATED							
2	DC530 2# FLAT PIECE	BRASS	1	Ag PLATED							
1	DC530 CASE	LCP	1								
NO.	PART NAME	MATERIAL	QTY	FINISHING							