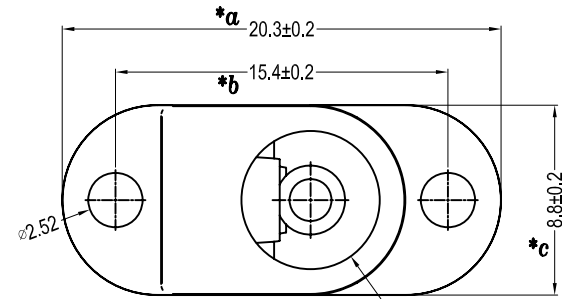
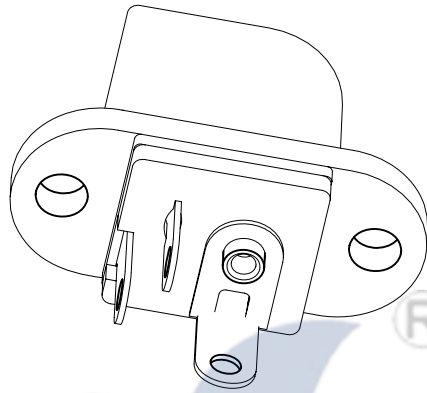
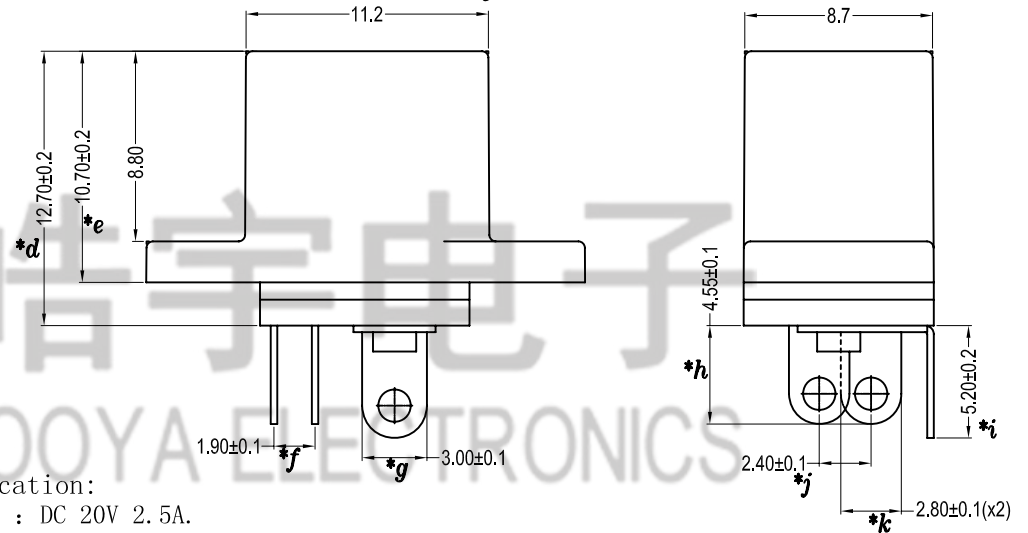
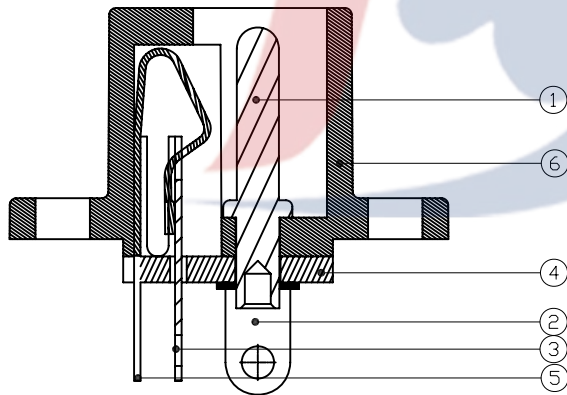
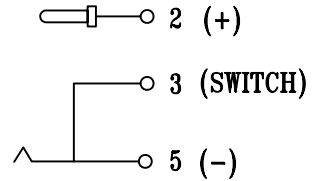


P.C.B LAYOUT TOP VIEW



SCHMATIC



Specification:

1. Rating : DC 20V 2.5A.
2. Contact resistance:  $\leq 50\text{m}\Omega$ . After test:  $\leq 100\text{m}\Omega$ .
3. Insulation resistance:  $\geq 100\text{M}\Omega$  (500VDC). After test:  $\geq 50\text{M}\Omega$ .
4. Withstanding voltage: 500VAC.
5. Insertion and extraction force: 5N~30N.
6. life test: 5000cycles min.
7. Operation temperature range:  $-20^{\circ}\text{C} \sim 70^{\circ}\text{C}$ .

PIN	$\phi 2.0$	$\phi 2.5$
APPD	✓	

				TOLERANCE							
				UNLESS SPECIFIED							
6	DC017 CASE	PBT UL94V-0 Black & White	1	Black & White	UP TO 5mm: $\pm 0.1$	ANGULAR	AO	2018.01.23	首次发行	王发兵	
5	DC016 5# SPRING	C5210-H Ag-plating $0.3 \sim 0.5 \mu\text{m}$	1	Ag-Plated	ABOVE 5mm: $\pm 0.2$	$\pm 1^{\circ}$	NO	DATE	REVISIONS	BY	APPD
4	DC016 COVER	PHENOLIC Natural	1	Natural	TITLE: DC JACK		UNIT : MM	ROHS COMPLIANT	DWN		
3	DC016 3# FLAT PIECE	C2680-H Ag-plating $0.3 \sim 0.5 \mu\text{m}$	1	Ag-Plated	MODEL: DC-017 2.0-PU		SCALE: 1:1	CHK'D			
2	DC016 2# CONTACT FOOT	C2680-H Ag-plating $0.3 \sim 0.5 \mu\text{m}$	1	Ag-Plated	HAOYU(HONGKONG)LIMITED 皓宇(香港)有限公司		APPD				
1	DC017 PIN	C3602 Ni-plating $3 \sim 5 \mu\text{m}$	1	Ni-Plated			PRO.AGL:	REV :AO			
NO.	PART NAME	MATERIAL	QTY	FINISHING							