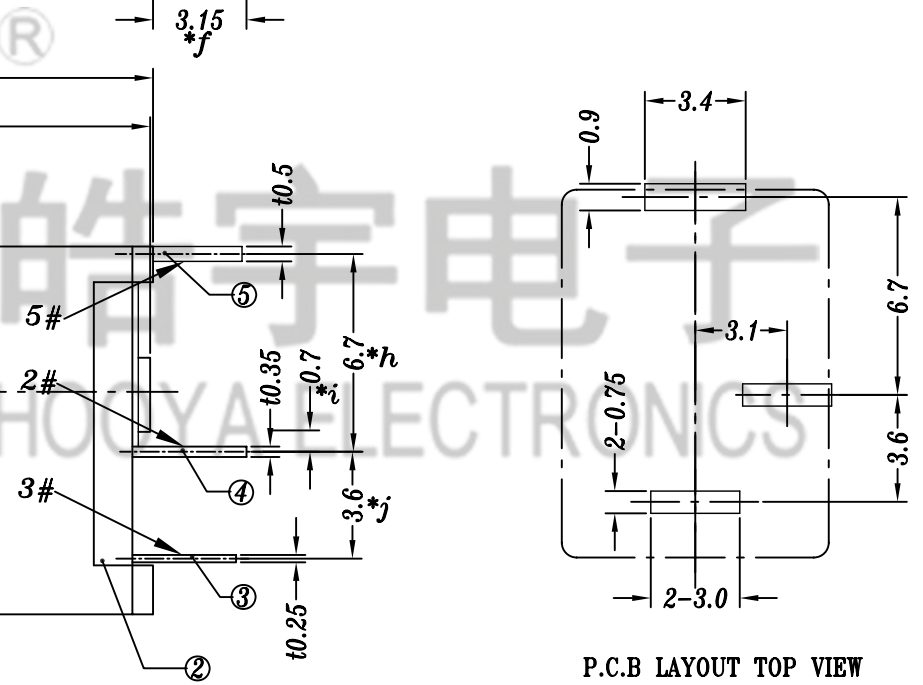
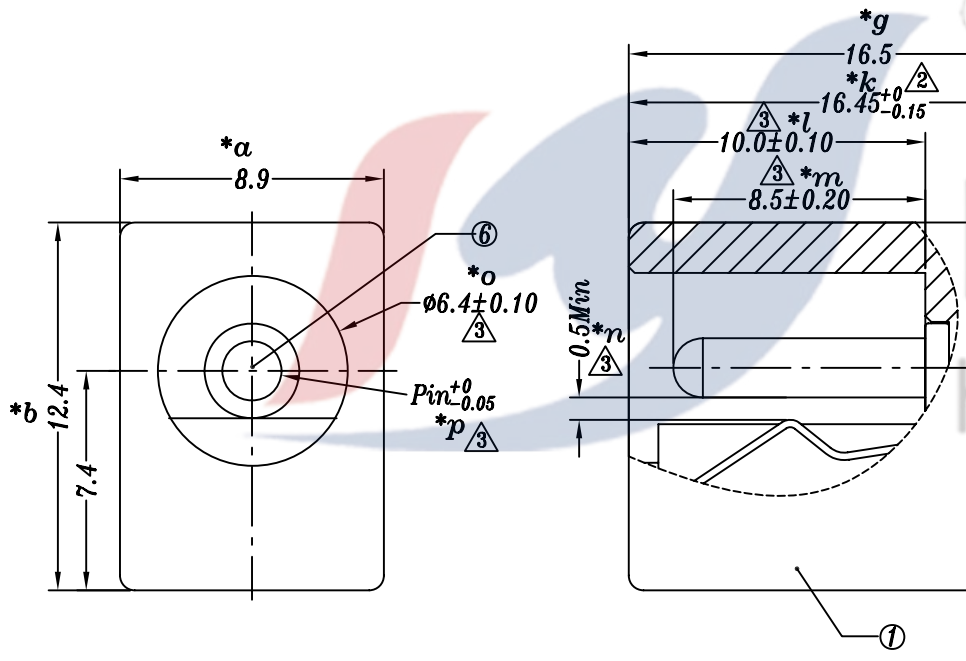
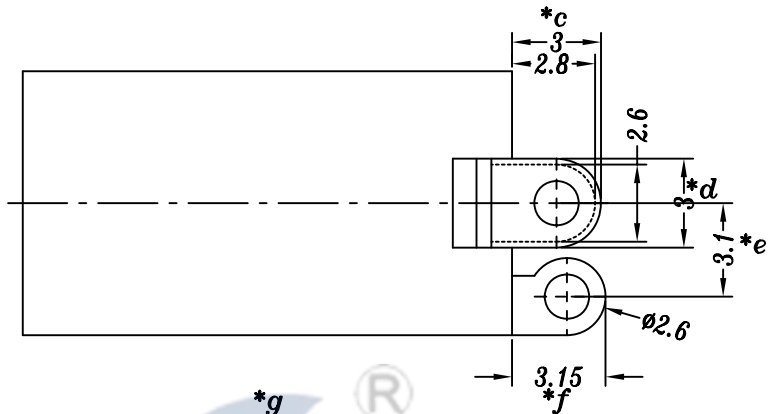


PIN	φ2.0	φ2.5
APPD.		



					A3	2019.09.27	③ 依客户要求新增尺寸管控	pwj	
					A2	2018.08.04	② 新增尺寸管控16.45	pwj	
					A1	2018.05.26	试产OK, 新增尺寸管控	GYW	
					A0	2018.01.09	首次发行	GYW	
					NO	DATE	PARTICULARS	BY	APPD
6	DC015F PIN	BRASS	1	Ni-plating	TOLERANCE UNLESS SPECIFIED				
5	DC015F 5#CONTACT FOOT	BRASS	1	Ag-plating	UP TO 5mm: ±0.1				
4	DC015F 2#FLAT PIECE	BRASS	1	Ag-plating	ABOVE 5mm: ±0.2				
3	DC015F 3#SPRING	PBS	1	Ag-plating	TITLE: DC POWER JACK	UNIT : MM	ROHS COMPLIANT	DWN	
2	DC015F COVER	PBT	1	GRAY/BLACK	MODEL: DC-015F 2.0-PU	SCALE: 4:1		CHK'D	
1	DC015F CASE	PBT	1	GRAY/BLACK	HOOYA ELECTRONIC COMPANY LIMITED.			APPD	
NO.	PART NAME	MATERIAL	QTY	FINISHING	皓宇电子有限公司			PRO.AGL:	REV :A3