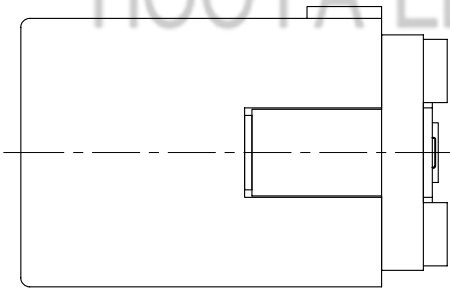
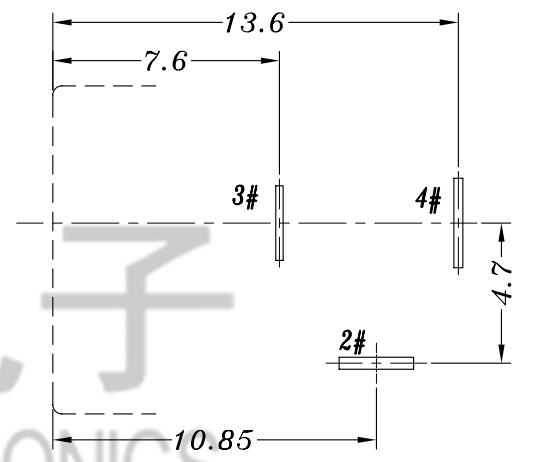
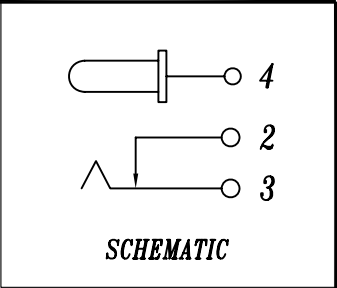
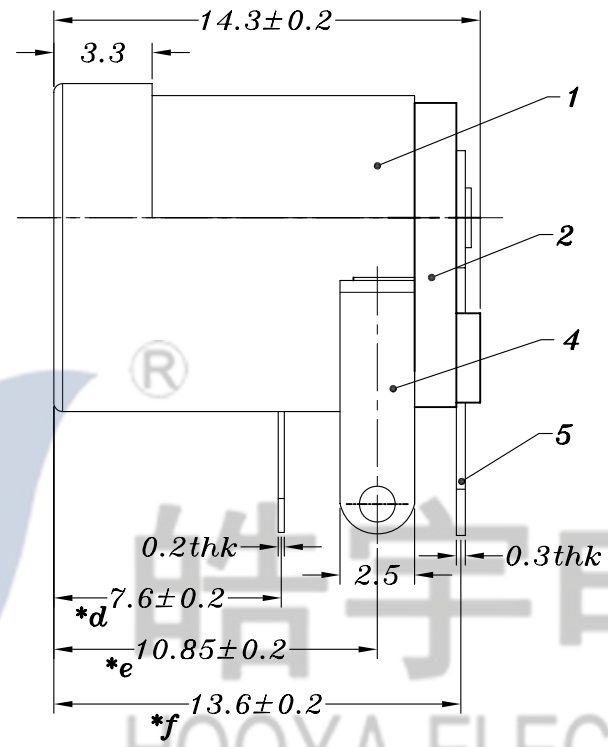
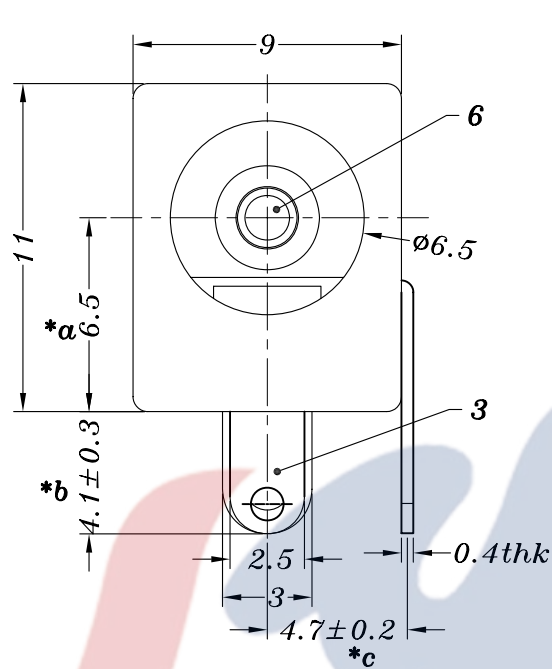


HAOYU



PIN	φ1.65	φ2.0	φ2.5
APPD.		✓	

NO.	PART NAME	MATERIAL	QTY	FINISHING	TOLERANCE UNLESS SPECIFIED		DATE		REVISIONS		APPD.	
6	DC005 PING	BRASS	1	Ni PLATED	UP TO 5mm: ±0.1	ANGULAR	A1	2018.04.27	更新部件品名		PWJ	
5	DC005 4#FLAT PIECE 3.0	BRASS	1	Ag PLATED	ABOVE 5mm: ±0.2	±1°	NO	DATE	REVISIONS		BY	APPD
4	DC005 2#CURVE PIECE 2.5	BRASS	1	Ag PLATED	TITLE:DC JACK		UNIT : MM		ROHS COMPLIANT	DWN		
3	DC005 3#SPRING 2.5	SUS/PBS	1	Ag PLATED	MODEL:DC-005E 2.0-PU		SCALE: 4:1		CHK'D			
2	DC005 COVER	PBT	1	BLACK	HAOYU(HONGKONG)LIMITED 皓宇(香港)有限公司				APPD			
1	DC005 CASE	PBT/PA6T	1	BLACK/WHITE					PRO.AGL:		REV :A1	