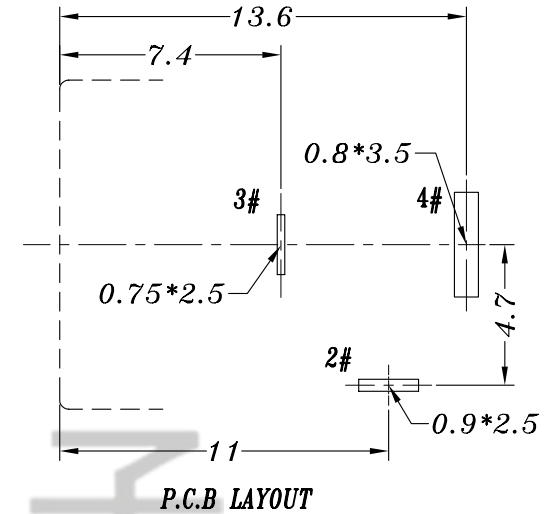
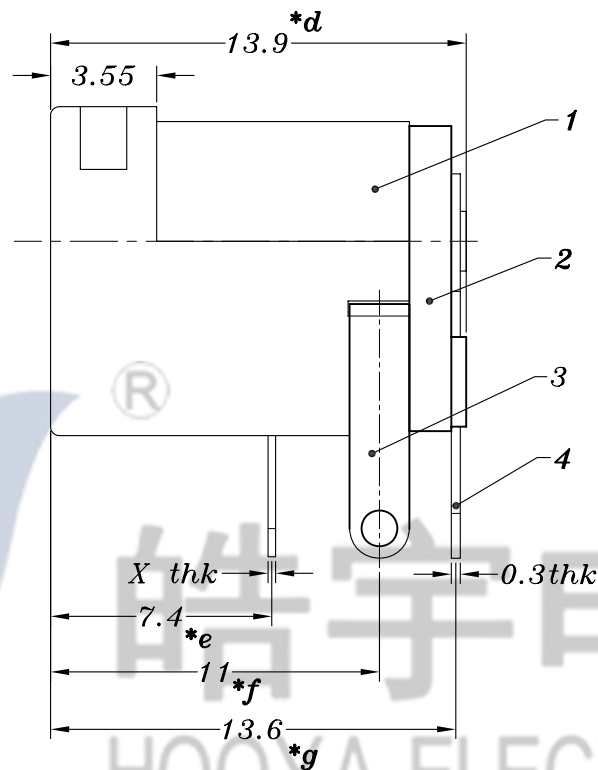
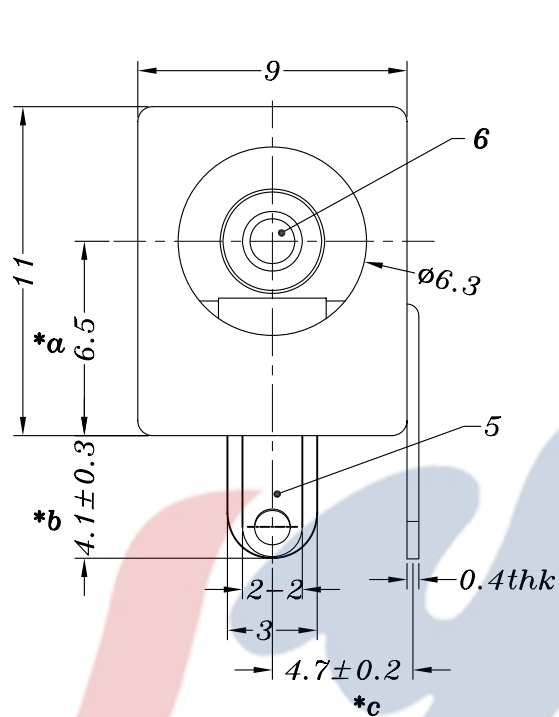
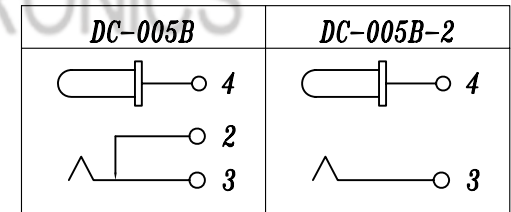


HAOYU



MATAL	X
SUS	0.2mm
PBS	0.25mm

PIN	φ2.0	φ2.5
APPD.	✓	



SCHEMATIC

					TOLERANCE UNLESS SPECIFIED							
					UP TO 5mm: ±0.1	ANGULAR						
					ABOVE 5mm: ±0.2	±1°	NO	DATE	REVISIONS		BY	APPD
6	DC-005 PING	BRASS	1	Ni PLATED			1					
5	DC-005 3#SPRING	SUS/PBS	1	Ag PLATED								
4	DC-005 4#FLAT PIECE	BRASS	1	Ag PLATED	TITLE:DC JACK		UNIT : MM	ROHS	DWN			
3	DC-005 2#CURVE PIECE	BRASS	1	Ag PLATED	MODEL:DC-005B 2.0-PU		SCALE: 4:1	COMPLIANT	CHK'D			
2	COVER	PBT	1	BLACK	HAOYU(HONGKONG)LIMITED 皓宇(香港)有限公司				APPD			
1	CASE	PBT	1	BLACK							PRO.AGL:	
NO.	PART NAME	MATERIAL	QTY	FINISHING								