

SZ45D7 - SZ45E3

SURFACE MOUNT SILICON ZENER DIODES

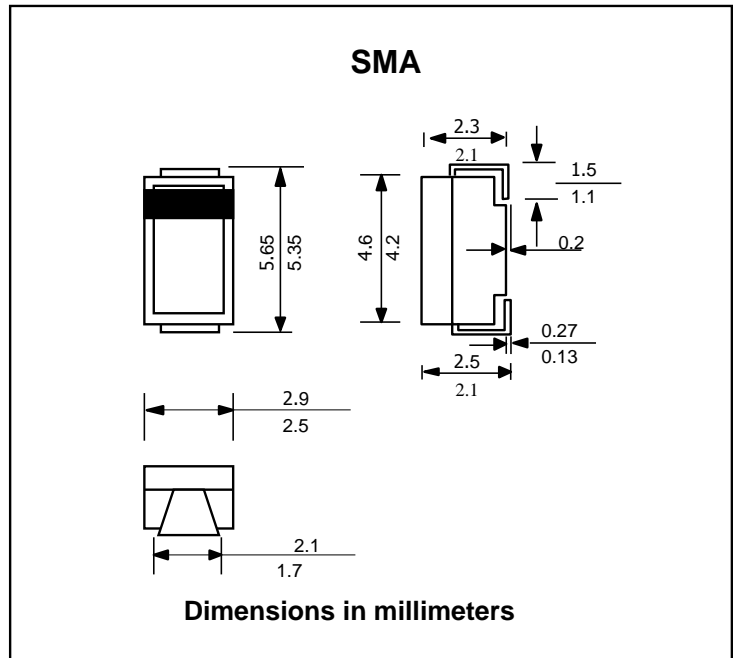
V_Z : 270 - 330 Volts
P_D : 2 Watts

FEATURES :

- * Complete Voltage Range 270 to 330 Volts
- * High peak reverse power dissipation
- * High reliability
- * Low leakage current
- * Pb / RoHS Free

MECHANICAL DATA

- * Case : SMA Molded plastic
- * Epoxy : UL94V-0 rate flame retardant
- * Lead : Lead formed for Surface mount
- * Polarity : Color band denotes cathode end
- * Mounting position : Any



MAXIMUM RATINGS

Rating at 25 °C ambient temperature unless otherwise specified

Rating	Symbol	VALUE	Unit
DC Power Dissipation at T _L = 75 °C (Note 1)	P _D	2.0	W
Junction Temperature Range	T _J	- 55 to + 150	°C
Storage Temperature Range	T _s	- 55 to + 150	°C

Note :

(1) T_L = Lead temperature at 5.0 mm² (0.013 mm thick) copper land areas.

ELECTRICAL CHARACTERISTICS

Rating at 25 °C ambient temperature unless otherwise specified

Type No.	Nominal Zener Voltage		Maximum Zener Impedance			Maximum Reverse Leakage Current		Maximum DC Zener Current
	V _Z @ I _{ZT}	I _{ZT}	Z _{ZT} @ I _{ZT}	Z _{ZK} @ I _{ZK}	I _{ZK}	I _R @ V _R	I _{ZM}	
	(V)	(mA)	(Ω)	(Ω)	(mA)	(μA) (V)	(mA)	
SZ45D7	270	1.6	2200	8500	0.25	0.5 205	7	
SZ45E0	300	1.5	2200	9000	0.25	0.5 228	6	
SZ45E3	330	1.4	2300	9000	0.25	0.5 250	5.4	

Notes :

- (1) The type number listed have a standard tolerance on the nominal zener voltage of ± 5.0%, altered the fourth number of type from " 5 " for ± 5.0% tolerance to be " 0 " for ± 10% tolerance.
- (2) " SZ " will be omitted in marking on the diode.

RATING AND CHARACTERISTIC CURVES (SZ45D7 - SZ45E3)

Fig 1. TYPICAL THERMAL RESPONSE L

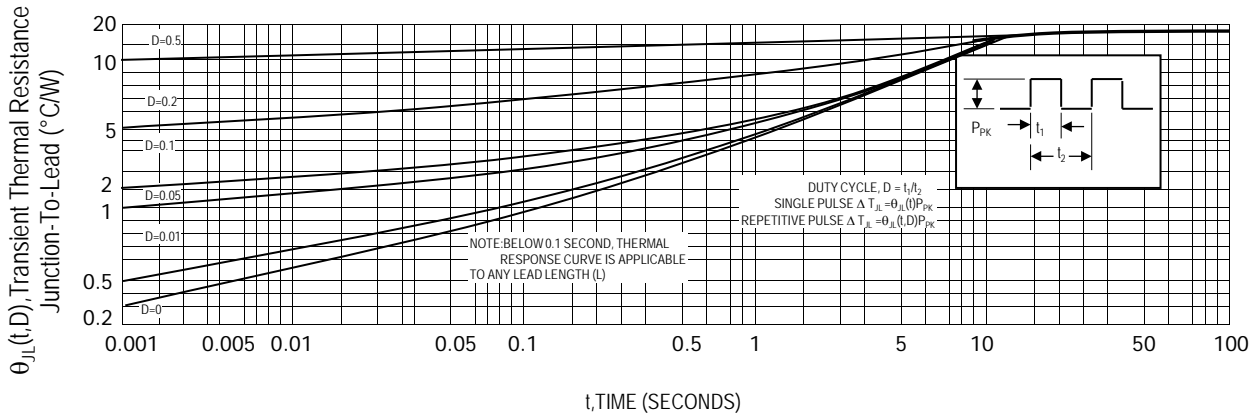


Fig.2 MAXIMUM SURGE POWER

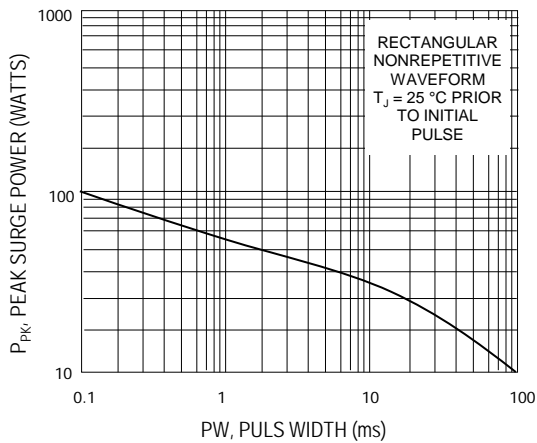


Fig. 3 POWER TEMPERATURE DERATING CURVE

