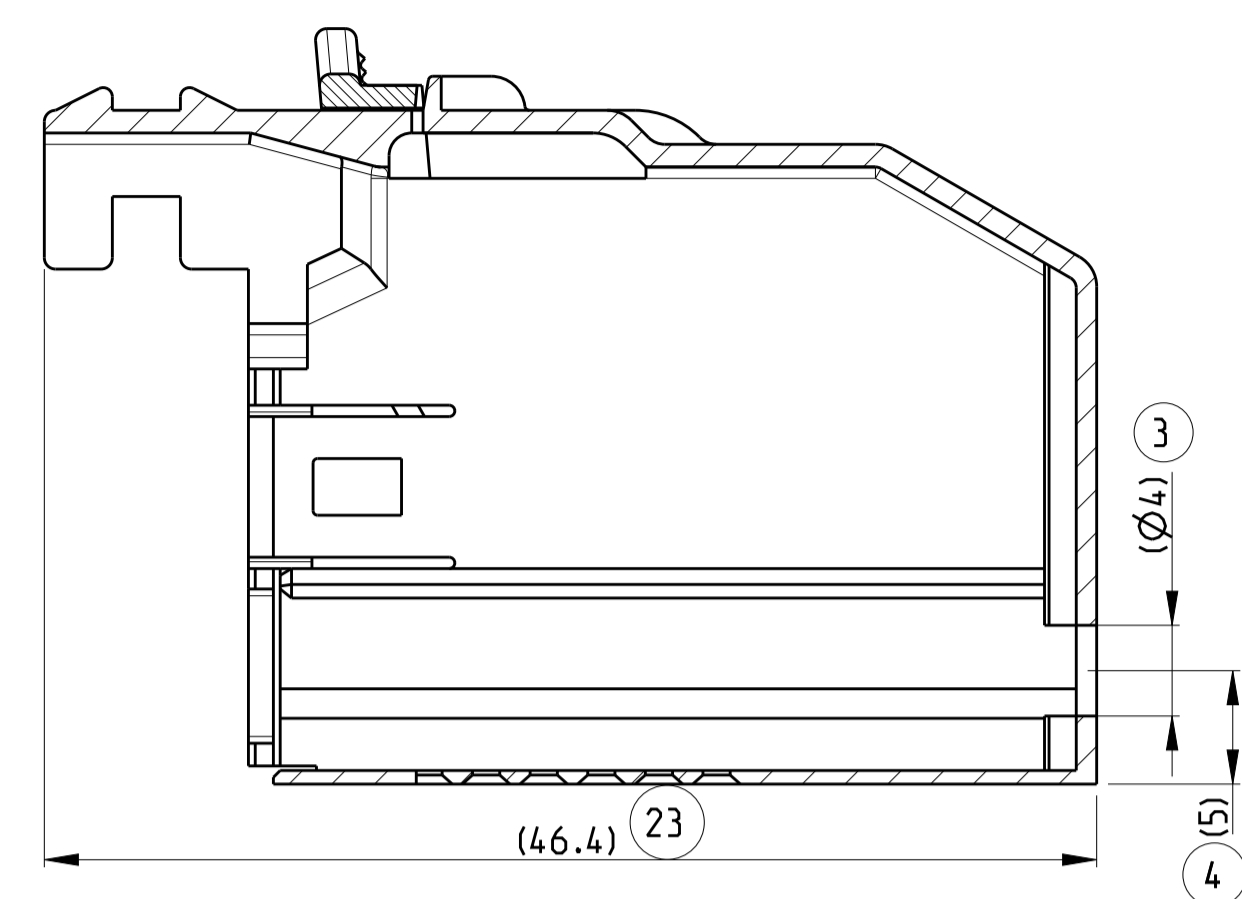
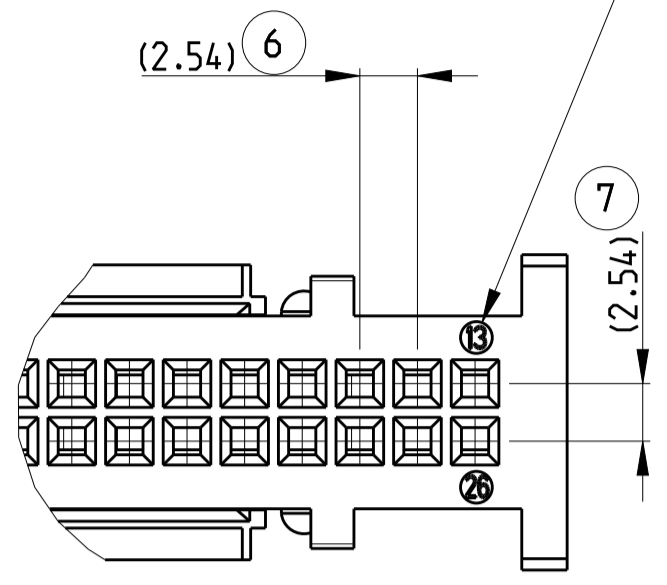


SECTION B-B



MARQUAGES DES ALVEOLES  
CAVITIES NUMBER

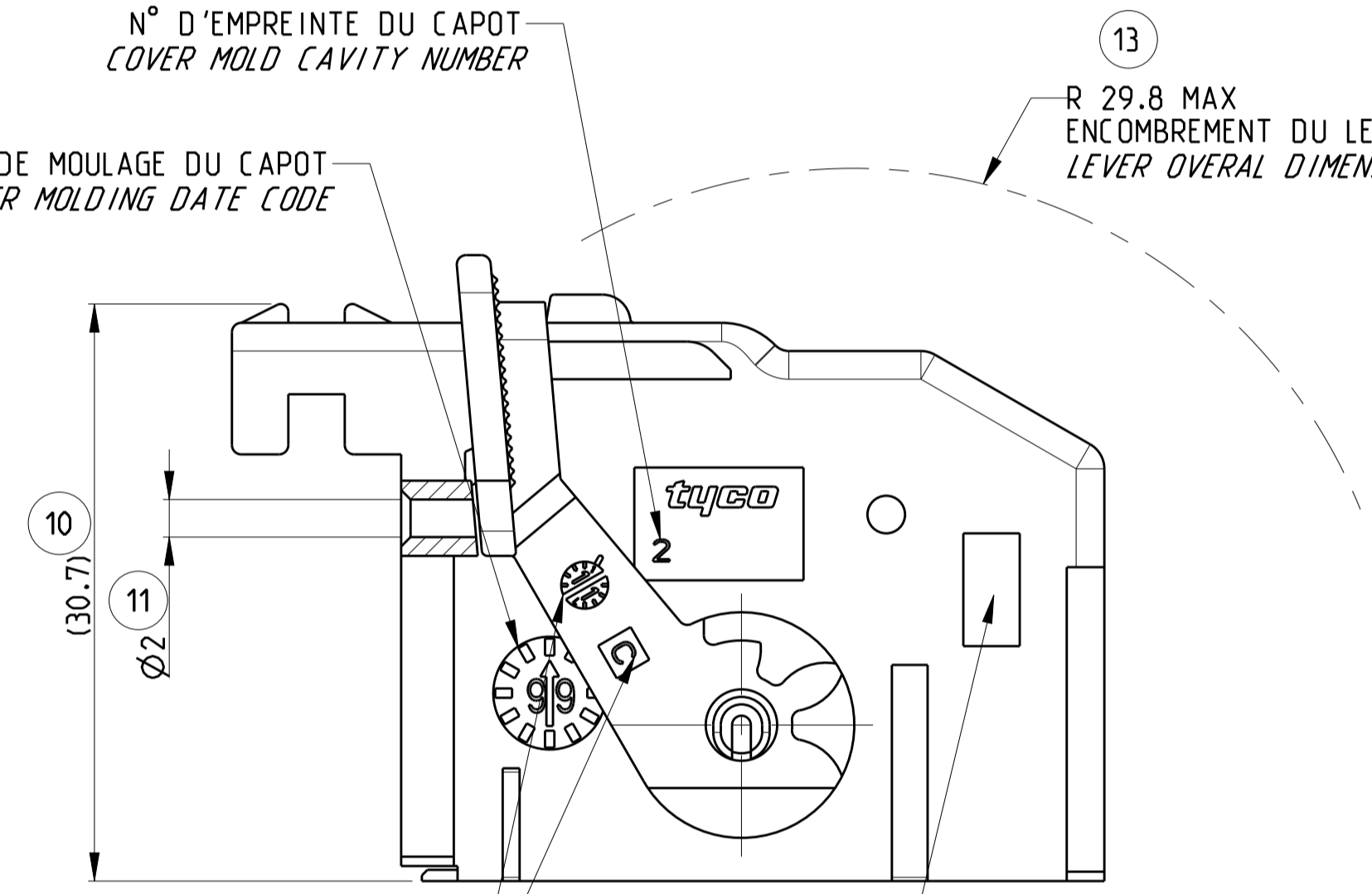


SECTION A-A

N° D'EMPREINTE DU CAPOT  
COVER MOLD CAVITY NUMBER

CODE DATE DE MOULAGE DU CAPOT  
COVER MOLDING DATE CODE

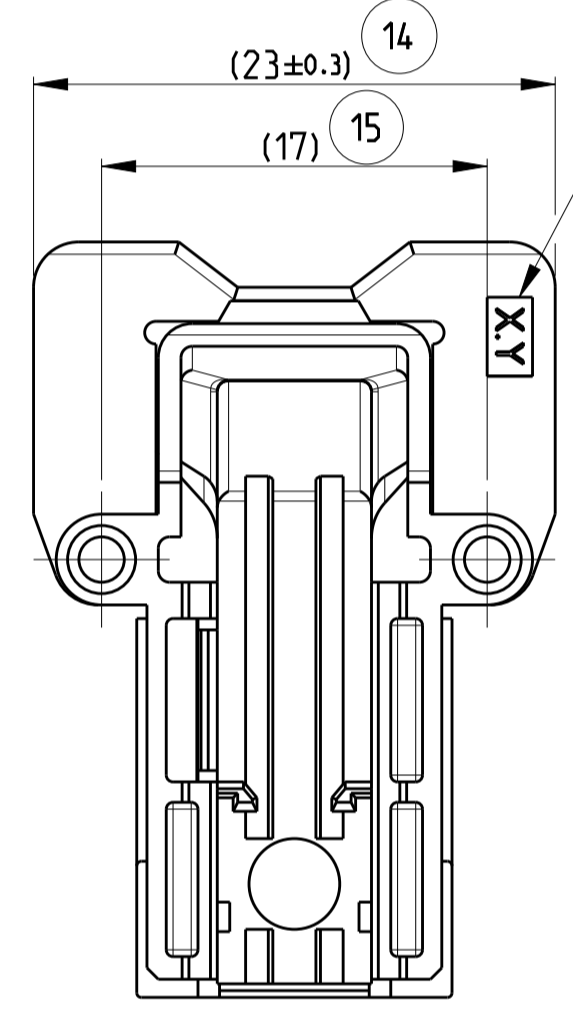
R 29.8 MAX  
ENCOMBREMENT DU LEVIER  
LEVER OVERALL DIMENSIONS



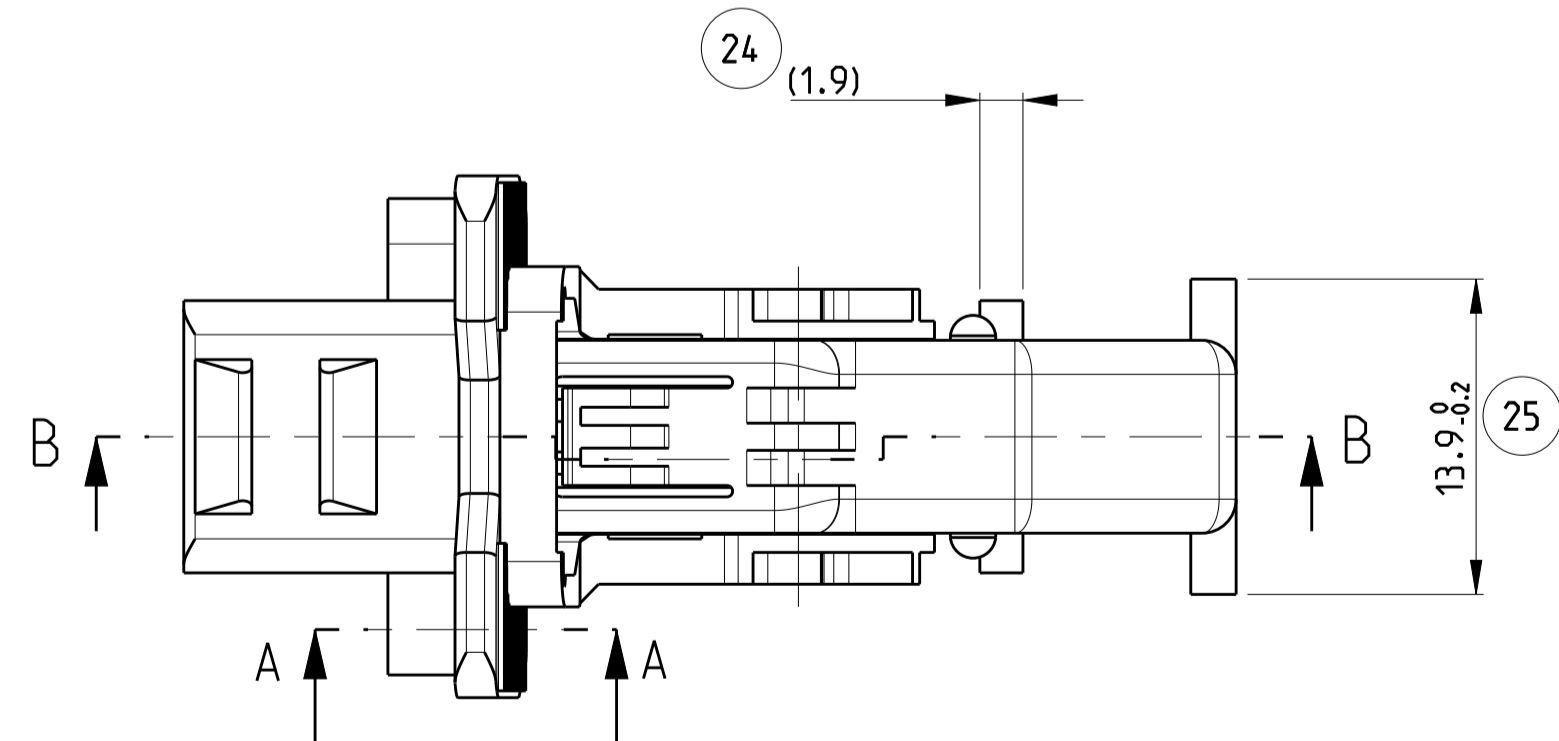
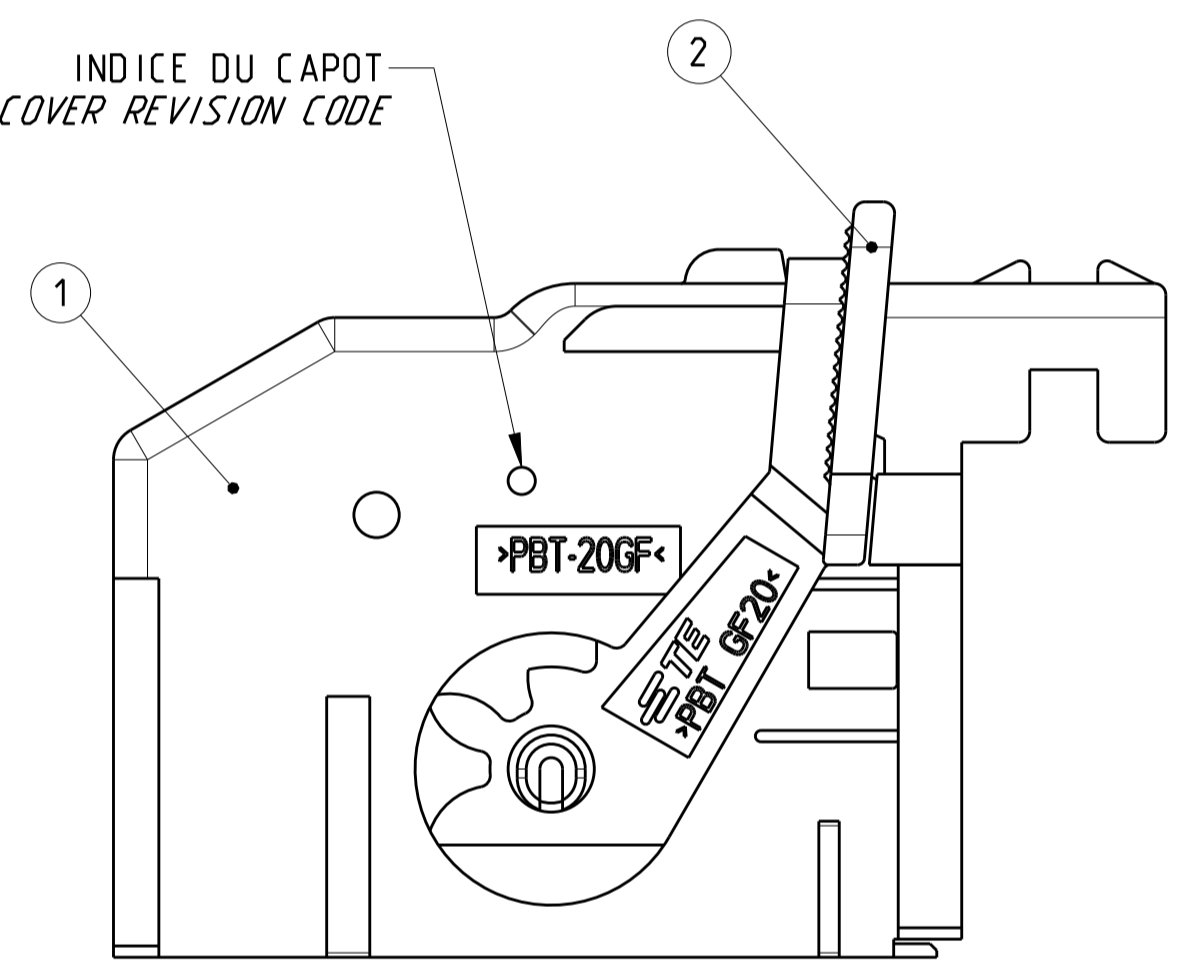
CODE DATE DE MOULAGE DU LEVIER  
LEVER MOLDING DATE CODE

LOGO PSA OPTIONNEL  
OPTIONAL PSA LOGO

N° D'EMPREINTE DU LEVIER  
LEVER MOLD CAVITY NUMBER



INDICE DU CAPOT  
COVER REVISION CODE

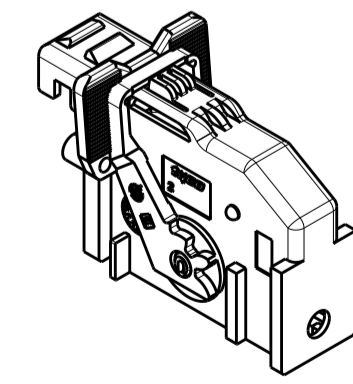


DESIGNATION DESCRIPTION	REP. ITEM	QTE QTY	MATIERE MATERIAL	REFERENCE TE TE PART NUMBER	COULEUR COLOR	DETROMPAGE POLARISATION
CAPOT COVER	1	1	PBT20%FV	D 1-185879-4	VERT GREEN	
LEVIER LEVER	2	1	PBT20%FV		NOIR BLACK	
CAPOT COVER	1	1	PBT20%FV	D 1-185879-3	ROUGE RED	
LEVIER LEVER	2	1	PBT20%FV		NOIR BLACK	
CAPOT COVER	1	1	PBT20%FV	D 1-185879-2	BLEU BLUE	
LEVIER LEVER	2	1	PBT20%FV		NOIR BLACK	
CAPOT COVER	1	1	PBT20%FV	D 1-185879-1	JAUNE YELLOW	
LEVIER LEVER	2	1	PBT20%FV		NOIR BLACK	
CAPOT COVER	1	1	PBT20%FV	185879-4	VERT GREEN	
LEVIER LEVER	2	1	PBT20%FV		NOIR BLACK	
CAPOT COVER	1	1	PBT20%FV	185879-3	ROUGE RED	
LEVIER LEVER	2	1	PBT20%FV		NOIR BLACK	
CAPOT COVER	1	1	PBT20%FV	185879-2	BLEU BLUE	
LEVIER LEVER	2	1	PBT20%FV		NOIR BLACK	
CAPOT COVER	1	1	PBT20%FV	185879-1	JAUNE YELLOW	
LEVIER LEVER	2	1	PBT20%FV		NOIR BLACK	

NOTES:

1 - CABLAGE MAXI : 8 FILS DE SECTION 0.6 mm<sup>2</sup>  
(DIA MAXI ISOLANT DE 1.9 mm)  
POUR FORCE D'INSERTION MODULE/PORTE MODULE : F<20N  
ET POUR ETRE EN CONFORMITE AVEC LA SPEC. 108-15158

- MAXIMAL CABLING : 8 WIRES SECTION 0.6mm<sup>2</sup>  
(DIA MAXIMAL INSULATOR 1.9mm)  
FOR THE INSERTION FORCE MODULE/ASSY COVER : F<20N  
AND TO BE IN ACCORDANCE WITH THE SPEC. 108-15158



ECHELLE:1:1  
SCALE

COMPOSANTS ASSOCIES MATING PARTS	
REF. TE TE PART NUMBER	DESIGNATION
185875-1	PORTE CLIP 26 VOIES MQS RECEPTACLE HSG 26 W MQS

185879-1 REPRESENTEE  
AS SHOWN

THIS DRAWING IS A CONTROLLED DOCUMENT. IT IS NOT TO BE REPRODUCED OR TRANSMITTED IN ANY FORM OR BY ANY MEANS, ELECTRONIC OR MECHANICAL, WITHOUT THE WRITTEN PERMISSION OF STMicroelectronics.

DATE: 23 DEC 2008  
DRAFTER: PHILIPPE BACHELOT  
CHECKER: JP PICAUD  
APPROVED: JP PICAUD

PRODUCT SPEC: 108-15158  
APPLICATION SPEC: 411-15581

WEIGHT: 6.3 gr  
MATERIAL: PBT20%FV

STMicroelectronics  
TE Connectivity

ASSEMBLY COVER 26W MQS GENE 2  
PORTE MODULE 26 VOIES MQS GENE 2

SIZE: A1  
CAGE CODE: 00779  
DRAWING NO: 185879

CUSTOMER DRAWING / PLAN CLIENT  
UNDEVELOPED POUR REFERENCE

SCALE: 5:1  
SHEET: 1 OF 1  
REV: D