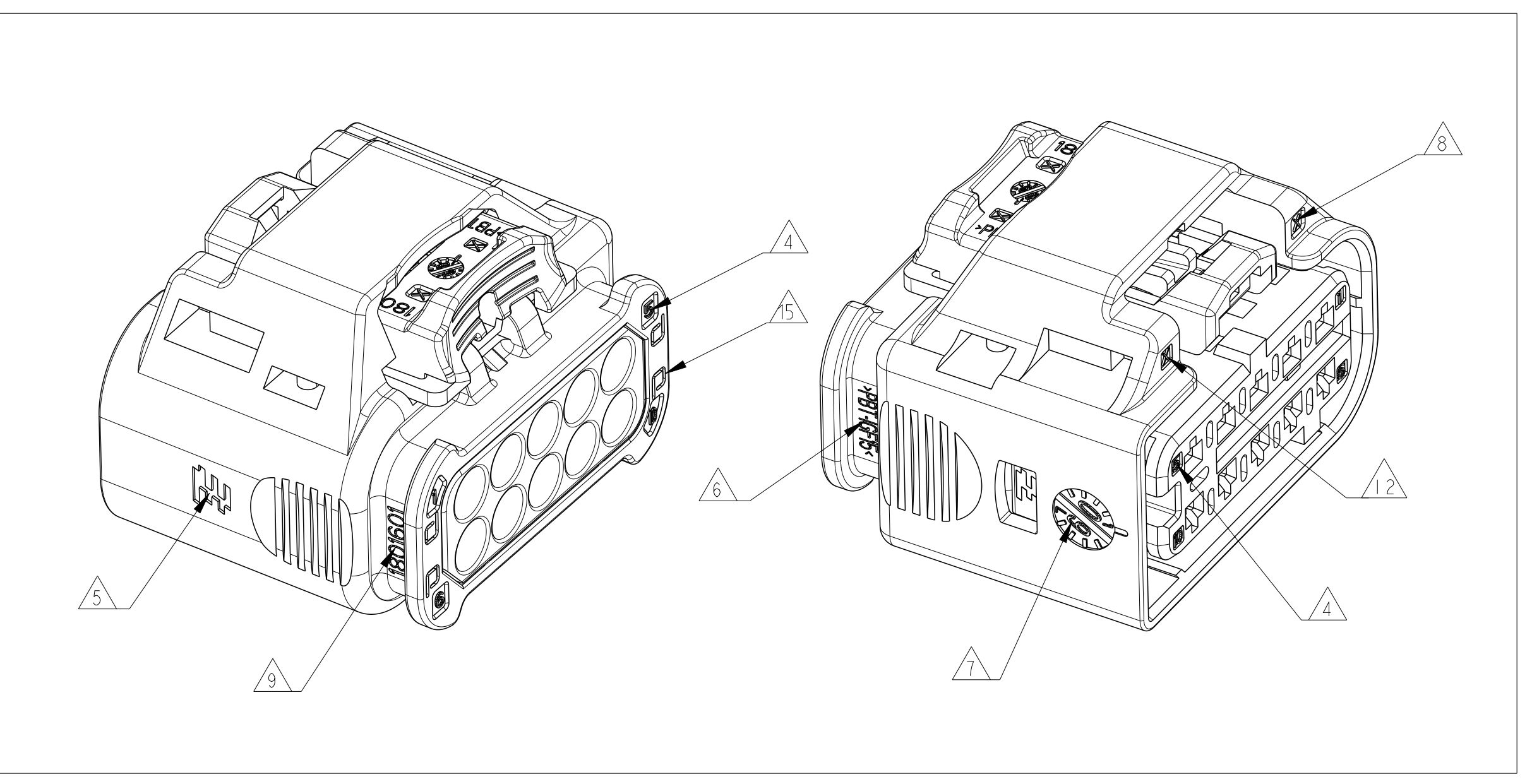
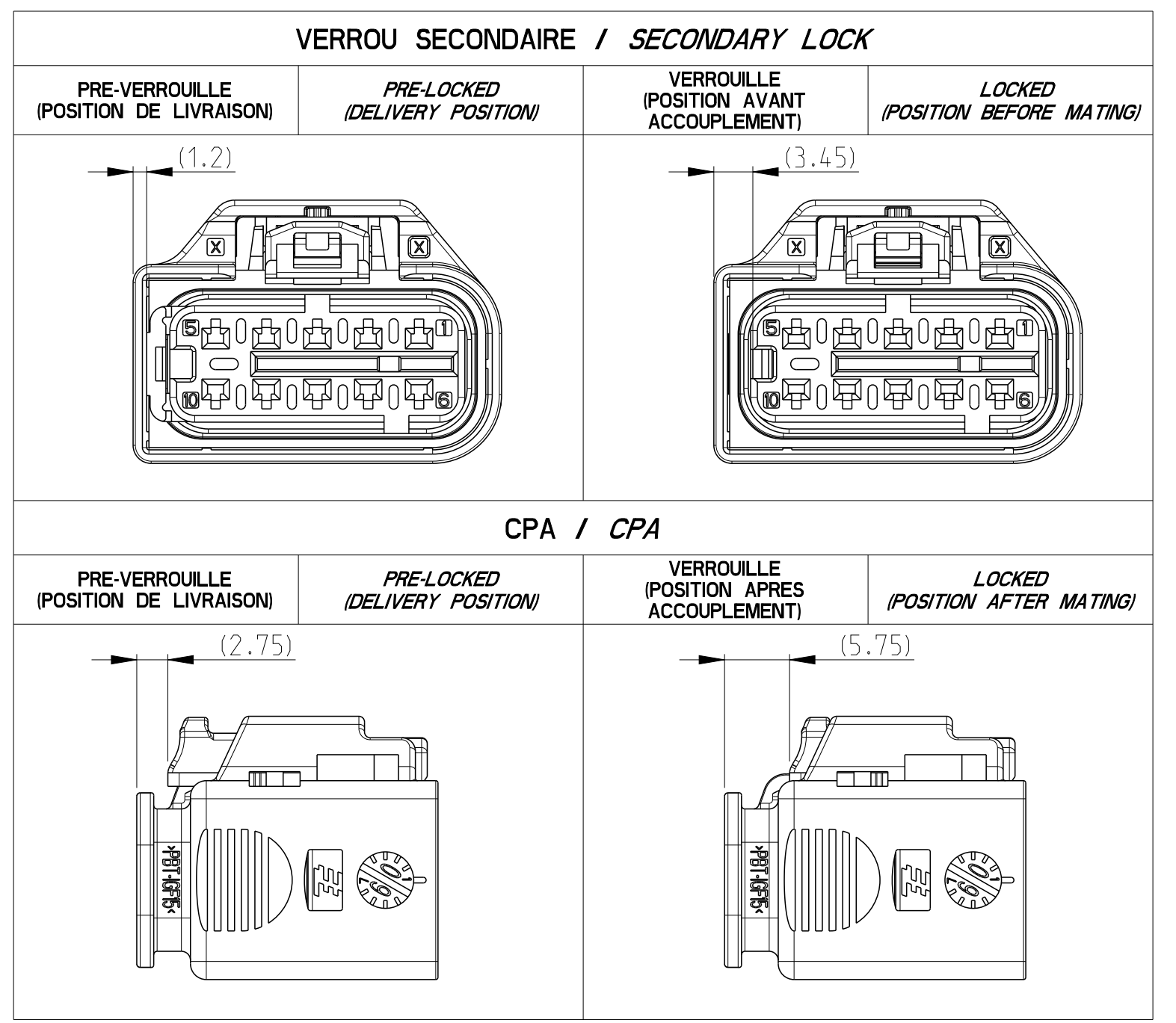


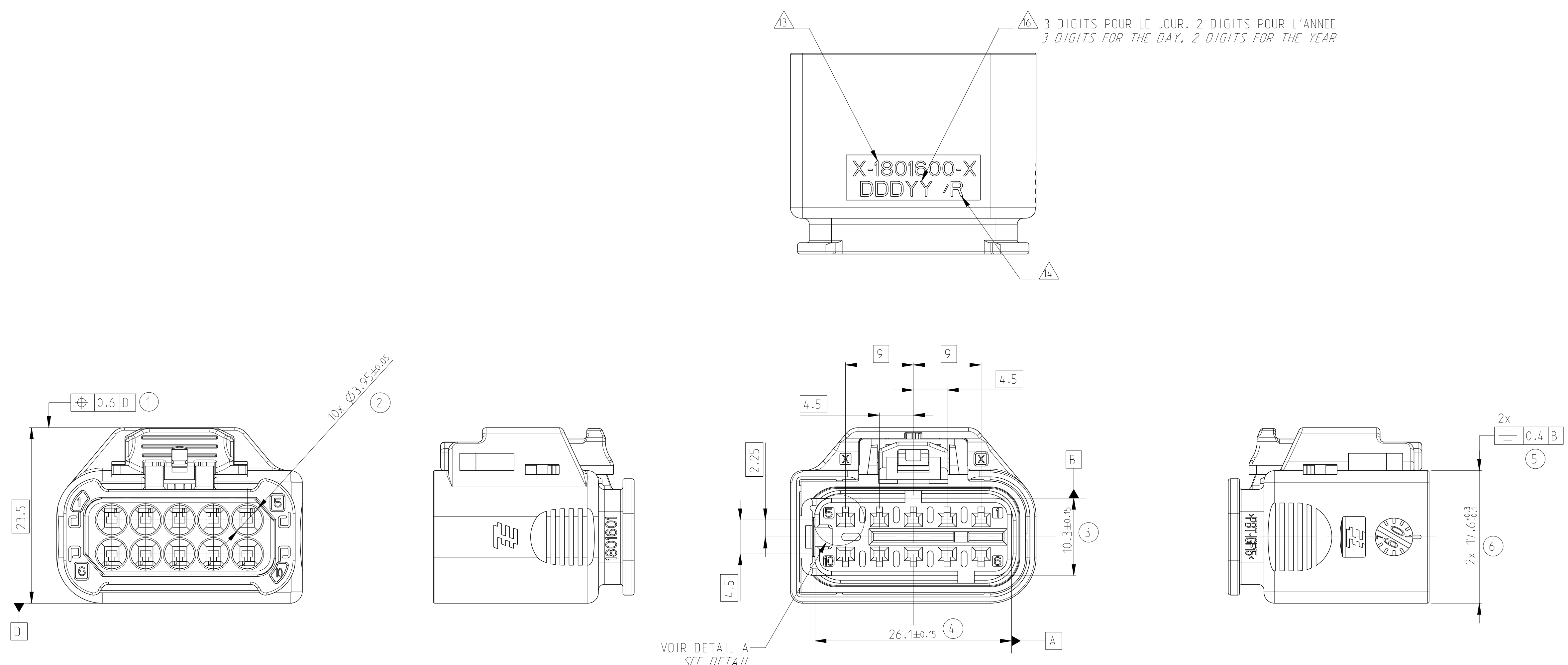
REV	DESCRIPTION	DATE	PREP	APP
F	00			
C	ADD NUMBER OF PACKAGING SPECIFICATION	06/09/2010	DB	KR
D	SWS 963142-1 SUPERSEDED BY 963142-3	14/02/2012	DB	KR
E	ADD NEW PART NUMBER 1-1801600-7	20/01/2016	DB	KR
F	CHANGED SEAL MATERIAL INFORMATION	09/02/2018	ASB	GKT

REF. TE / TE PART	REVISION / REV	PRODOT / PART	CODAGE / CODING	COLOR / COULEUR	CODAGE / KEYING
1801600-1	B	A		NOIR / BLACK	
1801600-2	B	B		GRIS / GREY	
1801600-3	B	C		BLU / BLUE	
1801600-4	B	D		VERT / GREEN	
1801600-5	B	E		ORANGE / RED	
1801600-6	B		PAS DE CODAGE / NO KEYING	VIOLET / VIOLET	
1-1801600-7	B	A		MARON / BROWN	VERSION 4 VOIES 6 VOIES OBSTRUÉES (N°2,3,5,6,8,9) 4 WAYS VERSION 6 WAYS BLINDED (N°2,3,5,6,8,9)



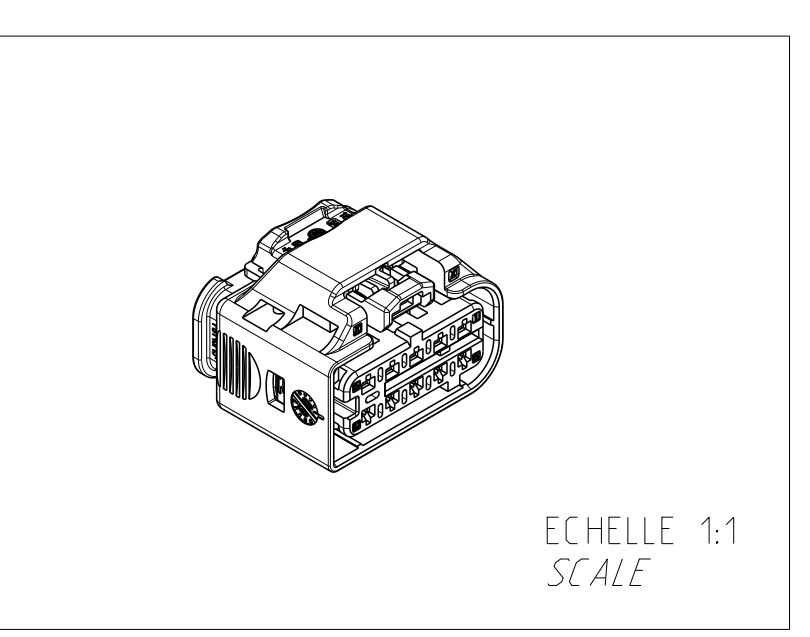
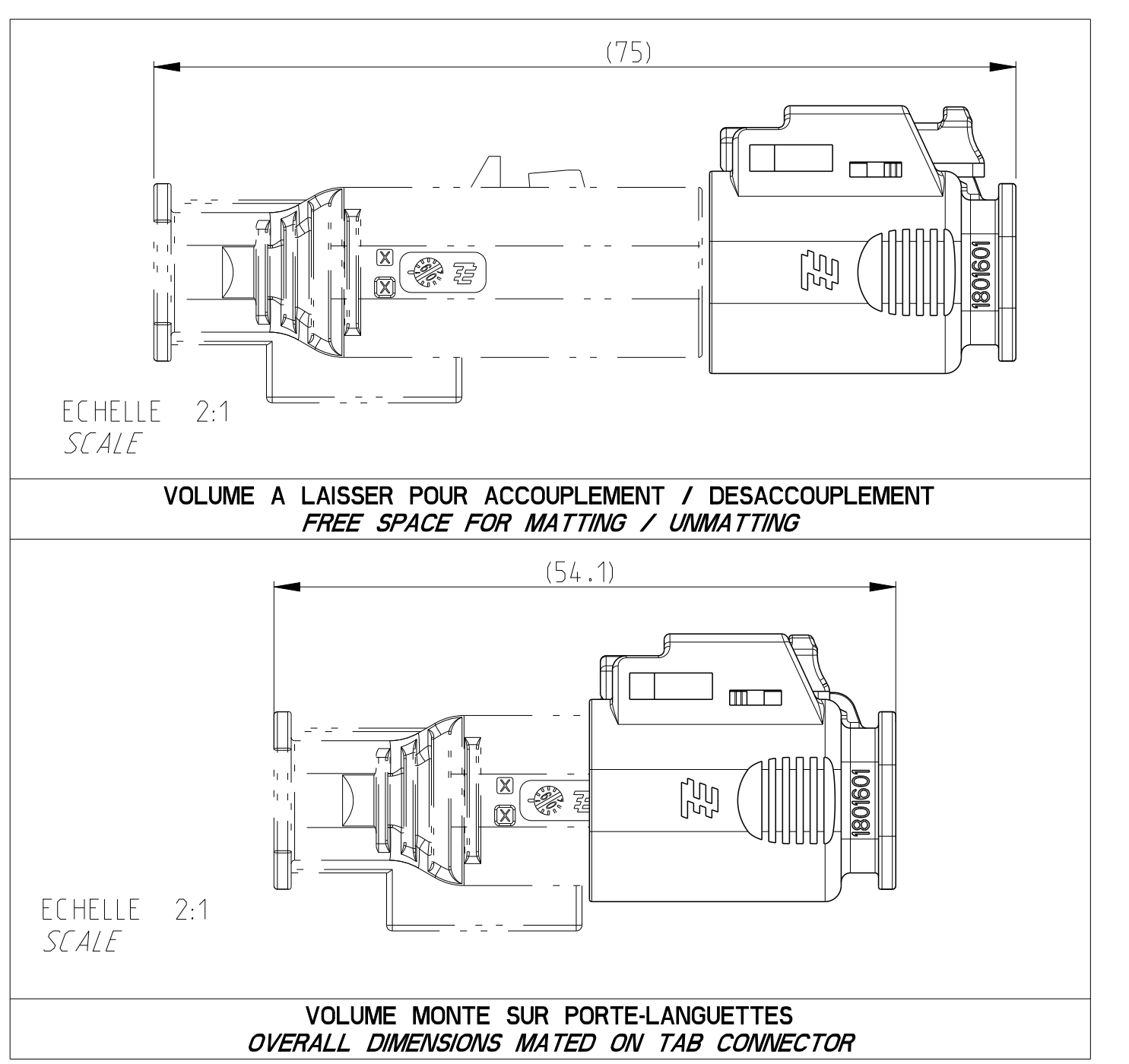
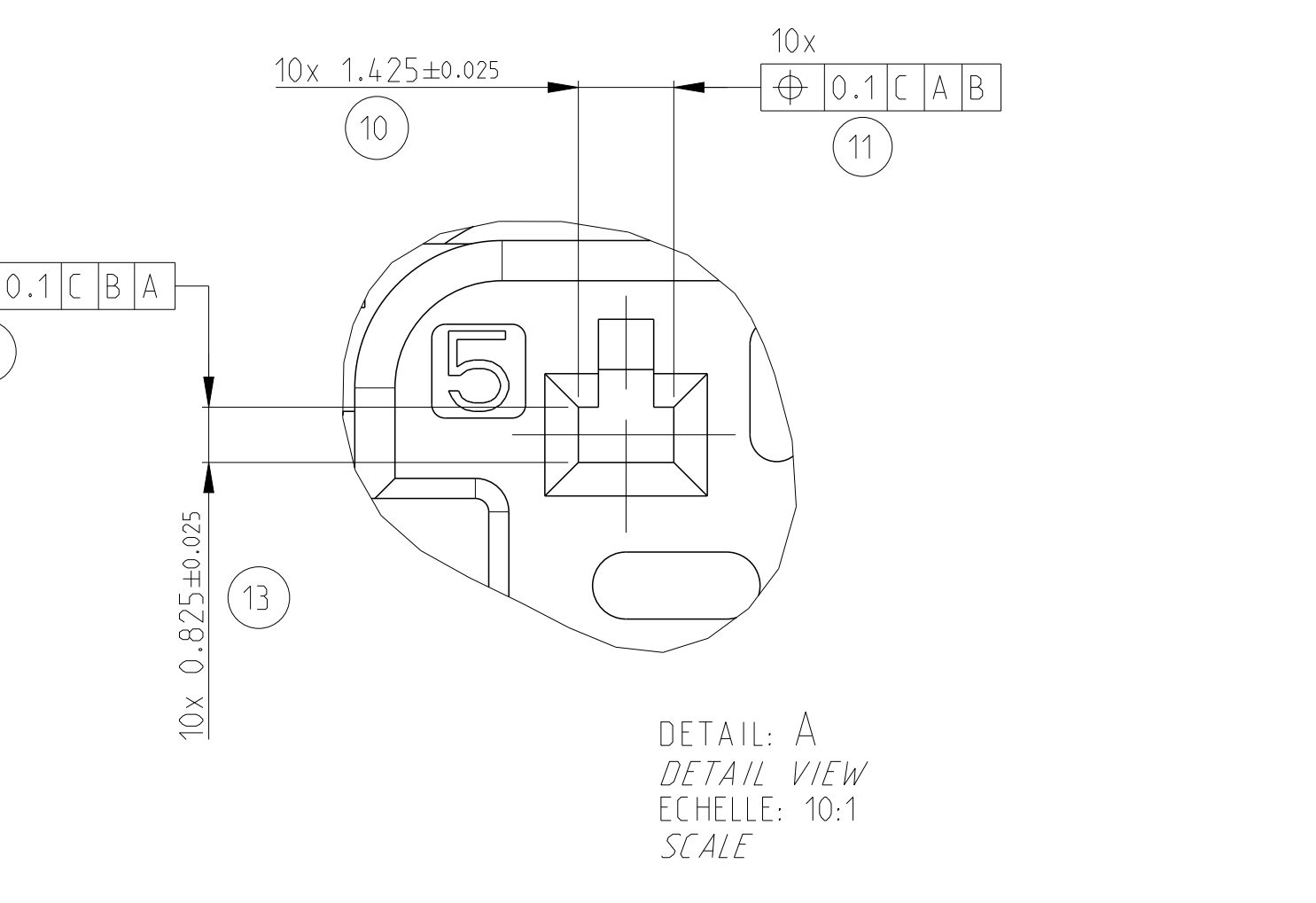
COMPOSANTS ASSOCIES (APPLIED COMPONENTS)

REFERENCE TE / TE PART NUMBER	DESIGNATION / DESCRIPTION	FINITION / FINISH	REMARQUE / NOTE
1452665-1	CONTACT / CONTACT	ETAME / TIN PLATED	CLIP MCON (MCON CONTACT) 0.25 A 0.35 MM ² (S0MM)
1452665-2	CONTACT / CONTACT	DORE / GOLD PLATED	CLIP MCON (MCON CONTACT) 0.25 A 0.35 MM ² (S0MM)
1452665-3	CONTACT / CONTACT	ARGENTE / SILVER PLATED	CLIP MCON (MCON CONTACT) 0.25 A 0.35 MM ² (S0MM)
1452668-1	CONTACT / CONTACT	ETAME / TIN PLATED	CLIP MCON (MCON CONTACT) 0.5 A 0.75 MM ² (S0MM)
1452668-2	CONTACT / CONTACT	DORE / GOLD PLATED	CLIP MCON (MCON CONTACT) 0.5 A 0.75 MM ² (S0MM)
1452668-3	CONTACT / CONTACT	ARGENTE / SILVER PLATED	CLIP MCON (MCON CONTACT) 0.5 A 0.75 MM ² (S0MM)
1452671-1	CONTACT / CONTACT	ETAME / TIN PLATED	CLIP MCON (MCON CONTACT) 1 A 1.5 MM ² (S0MM)
1452671-2	CONTACT / CONTACT	DORE / GOLD PLATED	CLIP MCON (MCON CONTACT) 1 A 1.5 MM ² (S0MM)
1452671-3	CONTACT / CONTACT	ARGENTE / SILVER PLATED	CLIP MCON (MCON CONTACT) 1 A 1.5 MM ² (S0MM)
963142-3	Joint Uni-Filaire / Single Wire Seal		FIL (WIRE) Ø1.9 à 2.4 DE SECTION 1 - 1.5 MM ² ET ALVEOLE MCON (MCON CAVITY) Ø3.95
963142-2	Joint Uni-Filaire / Single Wire Seal		FIL (WIRE) Ø1.25 à 1.9 DE SECTION 0.35 - 0.75 MM ² ET ALVEOLE MCON (MCON CAVITY) Ø3.95
963143-1	BOUCHON / CAP		OBTURATEUR POUR ALVEOLES MCON Ø3.95 (PLUG FOR Ø3.95 MCON CAVITY)



NOTE:

1	1801600-1 : REPRESENTE	1801600-1 : AS SHOWN
2	COMPATIBLE AVEC ALVEOLES STD. CLIPS MCON 1,2	COMPATIBLE WITH CAVITY STANDARD CLIP MCON 1,2
⚠	REPERE ALVEOLES	CAVITY NUMBER
⚠	LOGO TE	TE STAMP
⚠	IDENTIFICATION MATIERE	MATERIAL IDENTIFICATION
⚠	DATE DE MOULAGE	MOLDING DATE CODE
⚠	N° EMPREINTE DU MOULE	MOLD CAVITY IDENTIFICATION
⚠	REFERENCE COMPOSANTS	COMPONENTS PART NUMBER
10	CAHIER DE PRECONISATION : 411-15748	INSTRUCTION SHEET : (SEE BEFORE)
⚠	INDICE DE REVISION COMPOSANTS	PART REVISION CODE
⚠	REFERENCE DU PRODUIT ASSEMBLE	ASSEMBLY PART NUMBER
⚠	INDICE DE REVISION DU PRODUIT ASSEMBLE	ASSEMBLY PART REVISION CODE
⚠	LOGO POUR ORIENTATION DU CONTACT	LOGO FOR CONTACT ORIENTATION
⚠	DATE D'ASSEMBLAGE	ASSEMBLY DATE CODE
17	SPECIFICATION DE CONDITIONNEMENT : 107-15634	PACKAGING SPECIFICATION : (SEE BEFORE)



REF. TE / TE PART	DESIGNATION / DESCRIPTION	FINITION / FINISH	REMARQUE / NOTE
F	VERT / GREEN	SILICONE DURETE 50 SHORE A / SILICON ; HARDNESS 50 SHORE A	JOINT INTERFACIAL / INTERFACE SEAL
	ORANGE	PBT-1GF95	CPA / CPA
	JAUNE / YELLOW	PBT-1GF30	DOUBLE VERROUILLAGE / SECONDARY LOCKING
	VOIR TABLEAU DES REFERENCES / SEE TABLE OF PART NUMBER	PBT-1GF95	BOITIER CAVITE / CODAGE (VOIR TABLEAU DES REFS) / CAVITY HOUSING / CODING (SEE TABLE OF PART NO)
	NOIR / BLACK	PBT-1GF95	BOITIER PORTE-CLIPS / RECEPTACLE HOUSING
	COULEUR / COLOR	MATIERE / MATERIAL	DESCRIPTION / TITLE

THIS DRAWING IS A CONTROLLED DOCUMENT.

REV. 01 / 02 / 03 / 04 / 05 / 06 / 07 / 08 / 09 / 10 / 11 / 12 / 13 / 14 / 15 / 16 / 17 / 18 / 19 / 20 / 21 / 22 / 23 / 24 / 25 / 26 / 27 / 28 / 29 / 30 / 31 / 32 / 33 / 34 / 35 / 36 / 37 / 38 / 39 / 40 / 41 / 42 / 43 / 44 / 45 / 46 / 47 / 48 / 49 / 50 / 51 / 52 / 53 / 54 / 55 / 56 / 57 / 58 / 59 / 60 / 61 / 62 / 63 / 64 / 65 / 66 / 67 / 68 / 69 / 70 / 71 / 72 / 73 / 74 / 75 / 76 / 77 / 78 / 79 / 80 / 81 / 82 / 83 / 84 / 85 / 86 / 87 / 88 / 89 / 90 / 91 / 92 / 93 / 94 / 95 / 96 / 97 / 98 / 99 / 100

DATE: 06/09/2010

DESIGNER: [Name]

APP. [Name]

PROJ. [Name]

SCALE: 1:1

SIZE: A0

REV. 01

TE Connectivity

PORTE-CLIPS 10 VOIES MCON
 10 WAYS MCON RECEPTACLE HOUSING

00779

1801600

CUSTOMER DRAWING

SCALE: 3:1

SHEET 1 OF 1