



---

# SK3521

GPS+GLONASS+Compass, RF SAW Filter  
Revision 1: December 2020

MSL 3 Device



- Electrical Characteristics
  - Package Dimensions
  - Testing Environment
  - Frequency Characteristics
-

## □ Electrical Characteristics

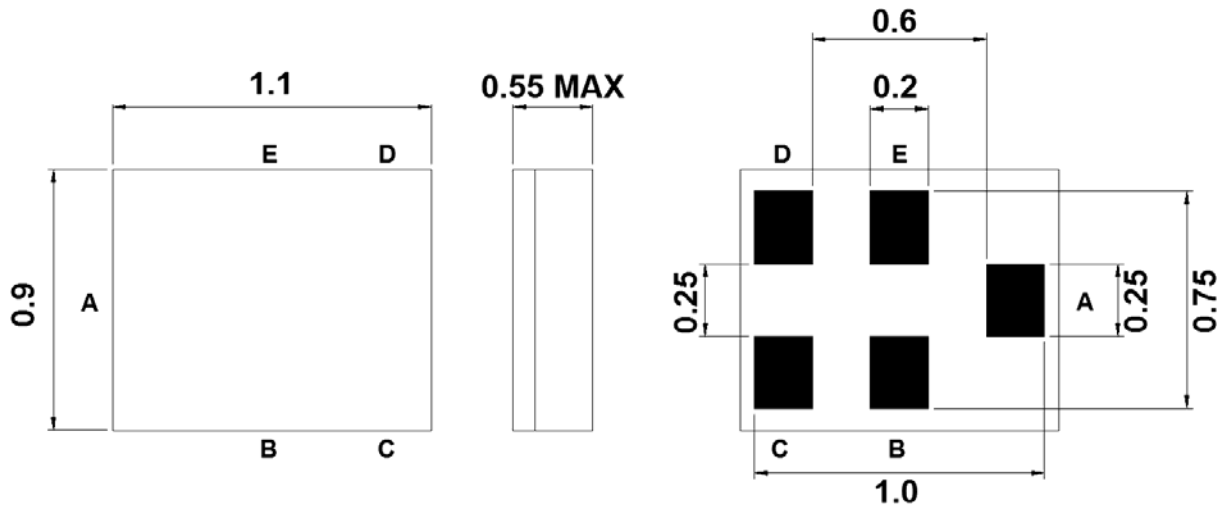
### Maximum Ratings

Parameters Description	Unit	Minimum	Typical	Maximum
Operating Temperature Range	°C	-30	-	+85
Storage Temperature Range	°C	-40	-	+85
Maximum DC Voltage	V	-	-	3
Maximum Input Power	dBm	-	-	15
Source Impedance (unbalanced) <sup>(1)</sup>	Ω	-	50	-
Load Impedance (unbalanced) <sup>(1)</sup>	Ω	-	50	-
Package type & size	C14			
Length x Width	mm <sup>2</sup>	-	1.1 x 0.9	-
Height	mm	-	-	0.55

### Electrical Specification

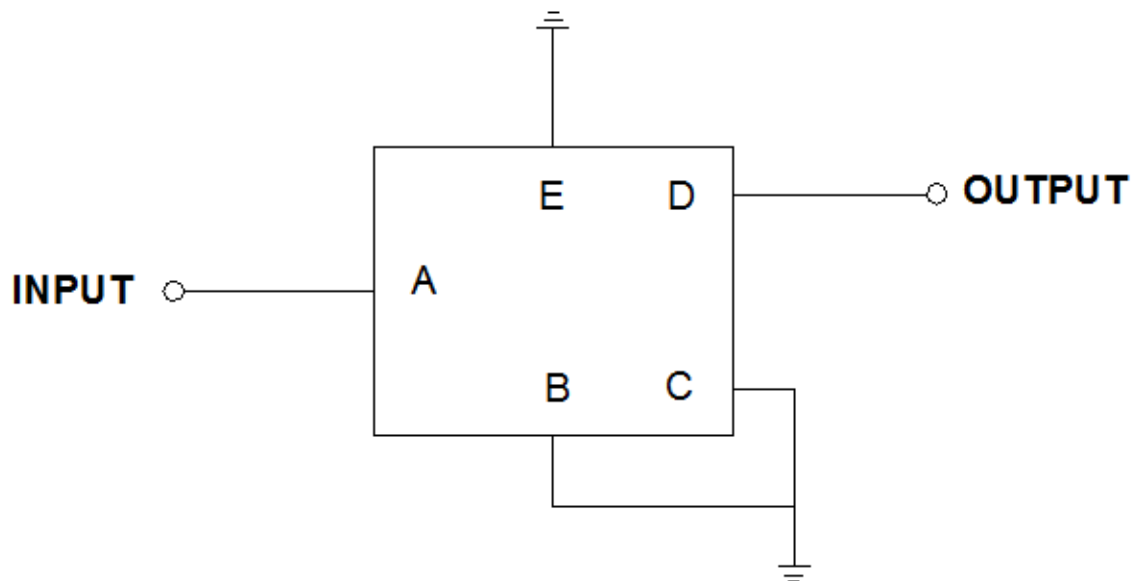
Parameters Description		Unit	Characteristics			Note
			Min	Typ*	Max	
Center Frequency (Fo)		MHz	1582.47			
Insertion Loss	1559.052~ 1563.14 MHz	dB	/	1.6	1.9	
	1574.42 ~ 1576.42 MHz	dB	/	1.0	1.8	
	1597.55 ~ 1605.89 MHz	dB	/	1.6	1.9 <sup>1)</sup>	
	1597.55 ~ 1605.89 MHz	dB	/	1.6	2.2	
Amplitude Ripple	1559.052~ 1563.14 MHz	dB <sub>p-p</sub>	/	0.2	2.0	
	1574.42 ~ 1576.42 MHz	dB <sub>p-p</sub>	/	0.2	2.0	
	1597.55 ~ 1605.89 MHz	dB <sub>p-p</sub>	/	0.5	2.0	
Group delay ripple	1597.55 ~ 1605.89 MHz	nsec	/	6.0	12.5	
Input VSWR	1559.052~ 1563.14 MHz		/	1.4	1.9	
	1574.42 ~ 1576.42 MHz		/	1.3	1.8	
	1597.55 ~ 1605.89 MHz		/	1.3	1.9	
Output VSWR	1559.052~ 1563.14 MHz		/	1.6	1.9	
	1574.42 ~ 1576.42 MHz		/	1.2	1.8	
	1597.55 ~ 1605.89 MHz		/	1.3	1.9	
Attenuation	10 ~ 960 MHz	dB	37	40	/	
	960 ~ 1463 MHz	dB	36	40	/	
	1710 ~ 1785 MHz	dB	35	42	/	
	1785 ~ 1990 MHz	dB	35	42	/	
	1990 ~ 2280 MHz	dB	32	36	/	
	2280 ~ 2400 MHz	dB	35	44	/	
	2400 ~ 2500 MHz	dB	33	45	/	
	2500 ~ 2700 MHz	dB	32	43	/	
	2700 ~ 3000 MHz	dB	28	39	/	
3000 ~ 6000 MHz	dB	15	46	/		

## □ Package Dimensions



Pin Description	
B, C, E	Ground
A	Input
D	Output

## □ Testing Environment



Source & Load Impedance: 50  $\Omega$

## □ Frequency Characteristics

