

4

3

2

1

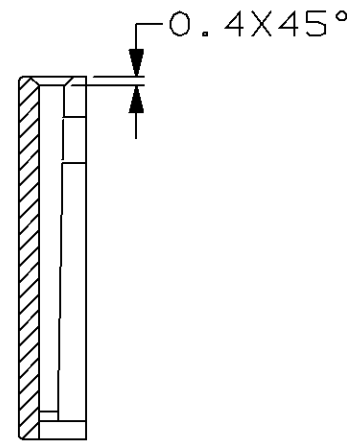
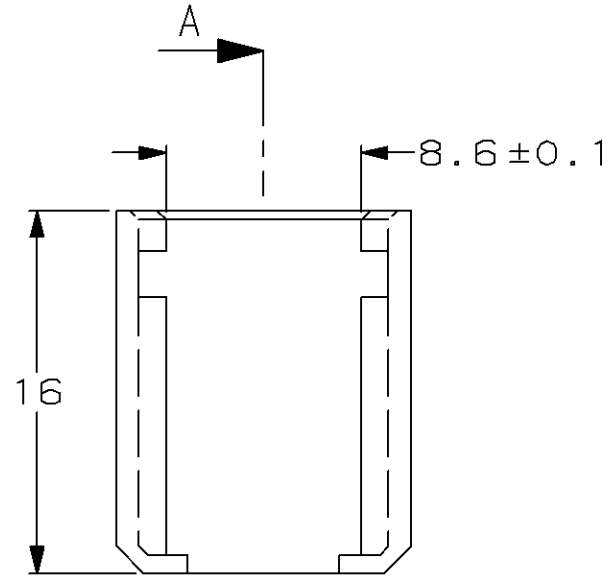
THIS DRAWING IS UNPUBLISHED.
 DIFFUSION RESTREINTE AMP
 © COPYRIGHT 19 BY AMP INCORPORATED. ALL RIGHTS RESERVED.
 TOUS DROITS RESERVES

RELEASED FOR PUBLICATION
 DIFFUSION PUBLIQUE ,19 .

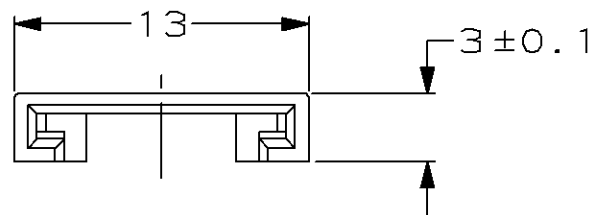
LOC F DIST 7

REVISIONS

P	LTR REV	DESCRIPTION MODIFICATIONS	DATE	DWN DESS.	APVD APP.
	A	UP DATED	09/94	DE	-
	B	NEW TITLE BLOCK	09-OCT-96	MP	-
	C	ENGLISH TRANSLATION	18-MAR-98	JL	-



SECTION A-A



THIS DRAWING IS A CONTROLLED DOCUMENT FOR AMP INCORPORATED. IT IS SUBJECT TO CHANGE AND THE CONTROLLING ENGINEERING ORGANIZATION SHOULD BE CONTACTED FOR THE LATEST REVISION. CE PLAN EST UN DOCUMENT CONTRÔLÉ PAR AMP INCORPORATED. IL EST SUSCEPTIBLE D'ÊTRE REVISÉ. CONTACTER LE SERVICE TECHNIQUE D'AMP DE FRANCE POUR OBTENIR LA DERNIÈRE RÉVISION.		DWN/DESSINE 04/11/93 D. ELISEI CHK/VERIFIE 08-APR-98 J. LALANGE APVD/APPROUVE 08-APR-98 JJ. REVIL PRODUCT SPEC - SPEC. PRODUIT - APPLICATION SPEC - SPEC. APPLICATION -	AMP DE FRANCE 95301 PONTOISE NAME TITRE LOCKING DEVICE FOR MQS HOUSING
DIMENSIONS: mm 	TOLERANCES UNLESS OTHERWISE SPECIFIED: TOLERANCES NON SPECIFIEES (SUIV NB DE DECIMALES): ± 0.3 ± 0.3 ± 0.3 ± 0.3 ANGLES $\pm 5^\circ$ FINISH FINITION -	WEIGHT MASSE APPROX. - SIZE FORMAT A3 CAGE CODE 00779 DRAWING NO No PLAN C-144936	CUSTOMER DRAWING/PLAN CLIENT UNIQUEMENT POUR REFERENCE SCALE ECHELLE 1:1 SHEET FEUILLE 1 OF 1 DE 1 REV C

144936-1	LOCKING DEVICE FOR MQS HOUSING	BLACK (NOIR)
AMP PART NUMBER	DESCRIPTION	COLOR (COULEUR)