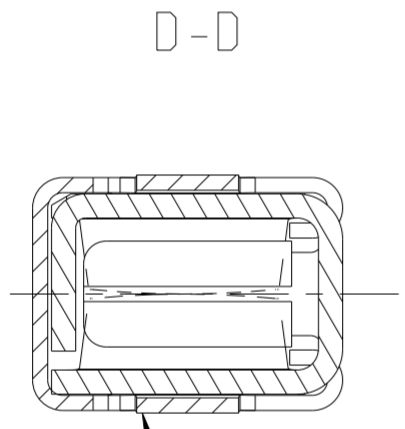
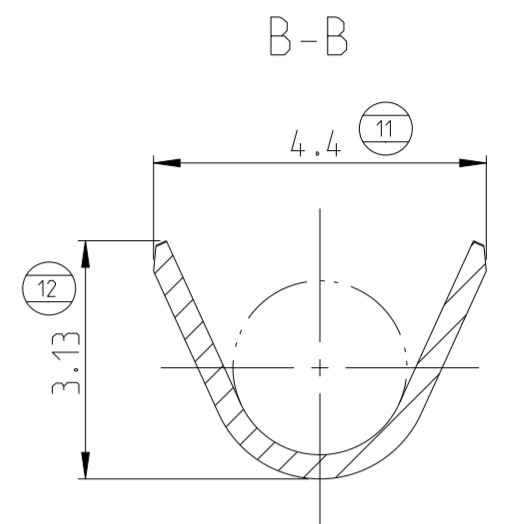
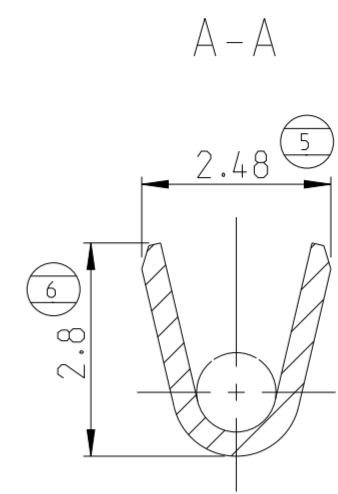
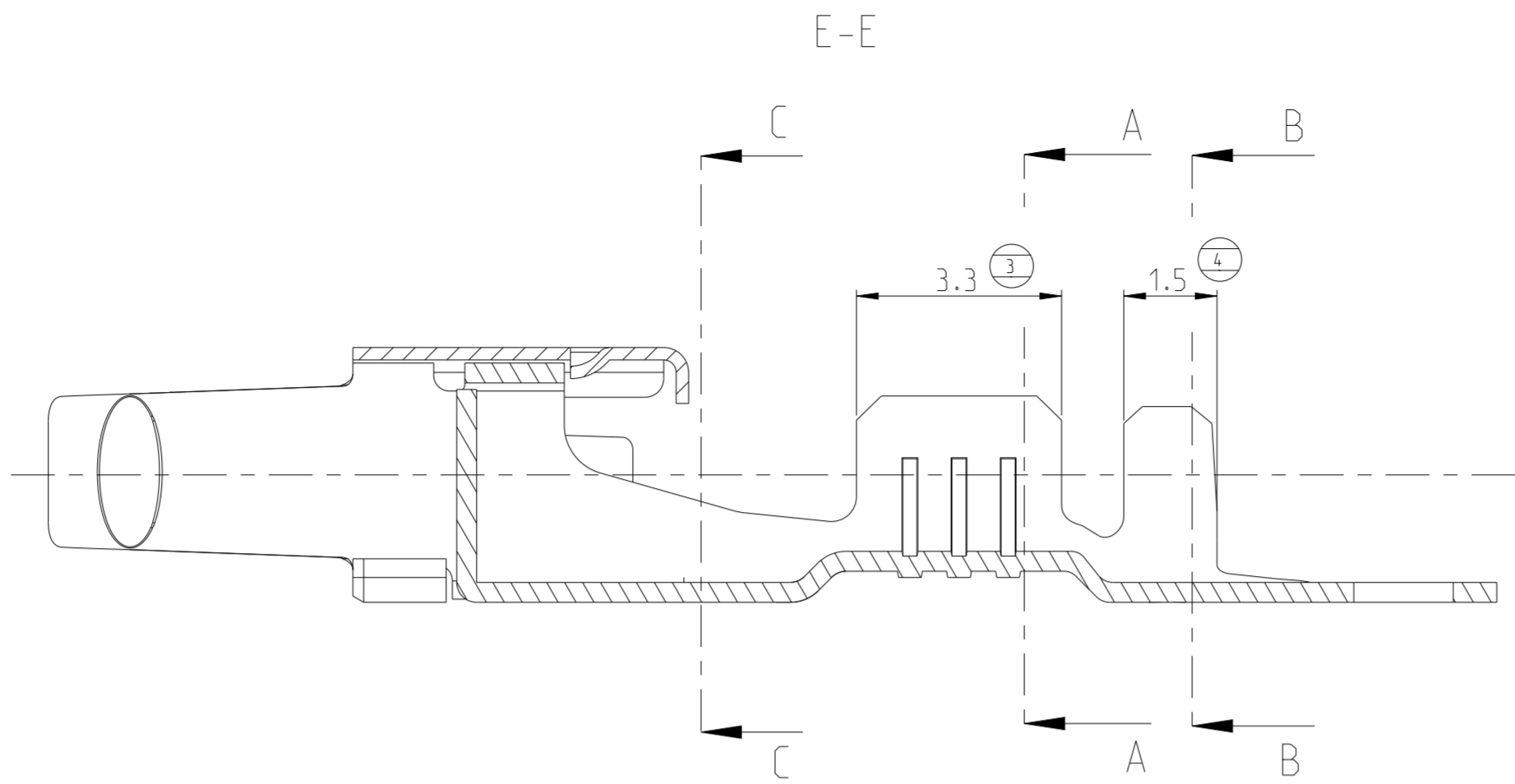
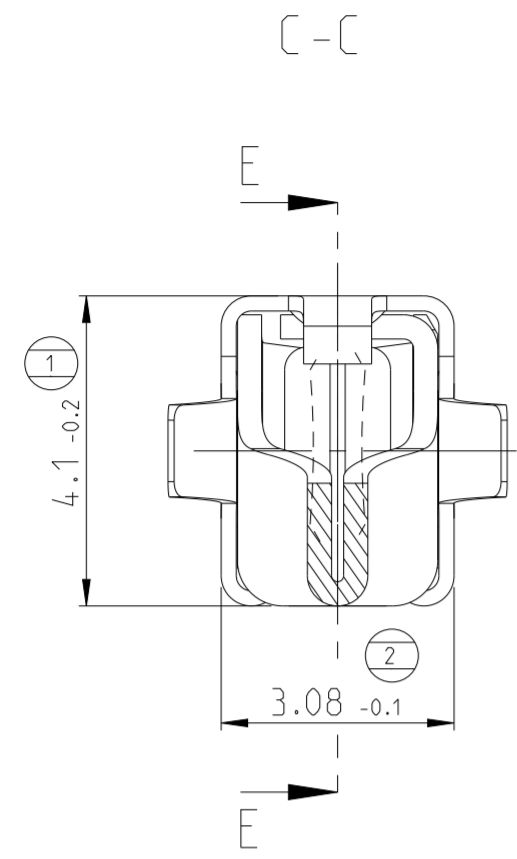
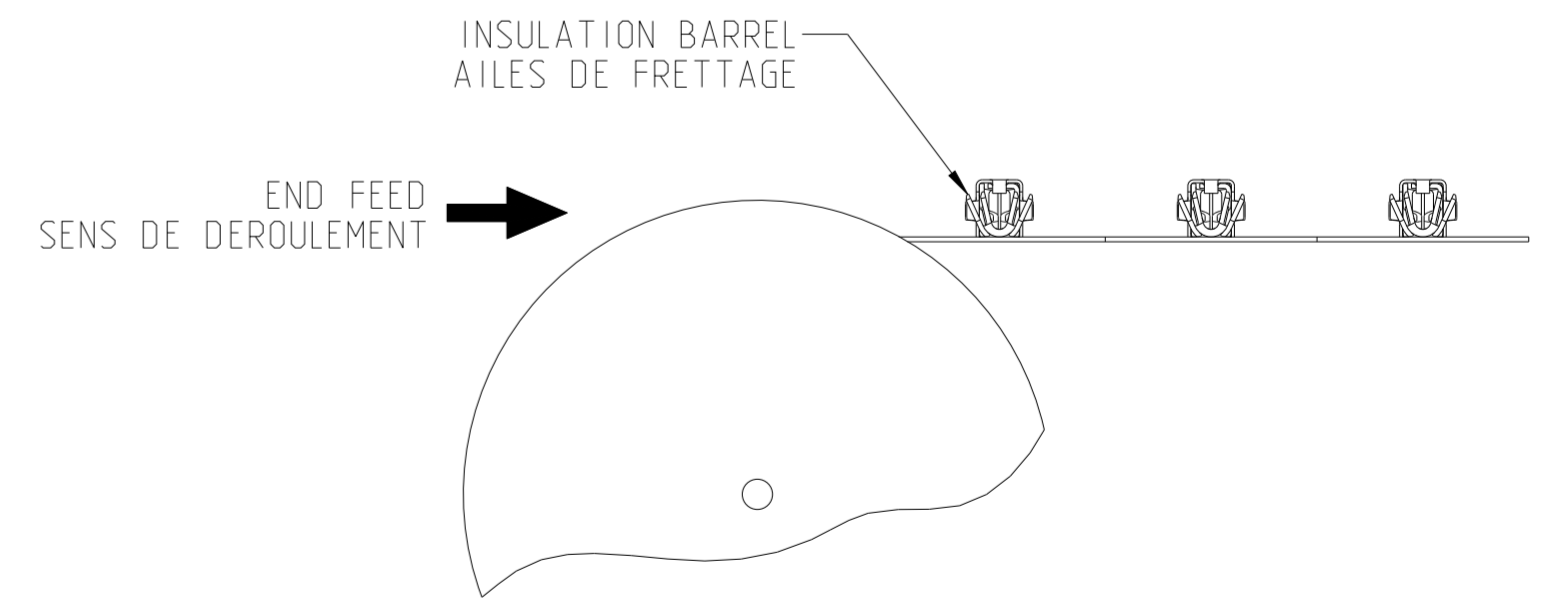
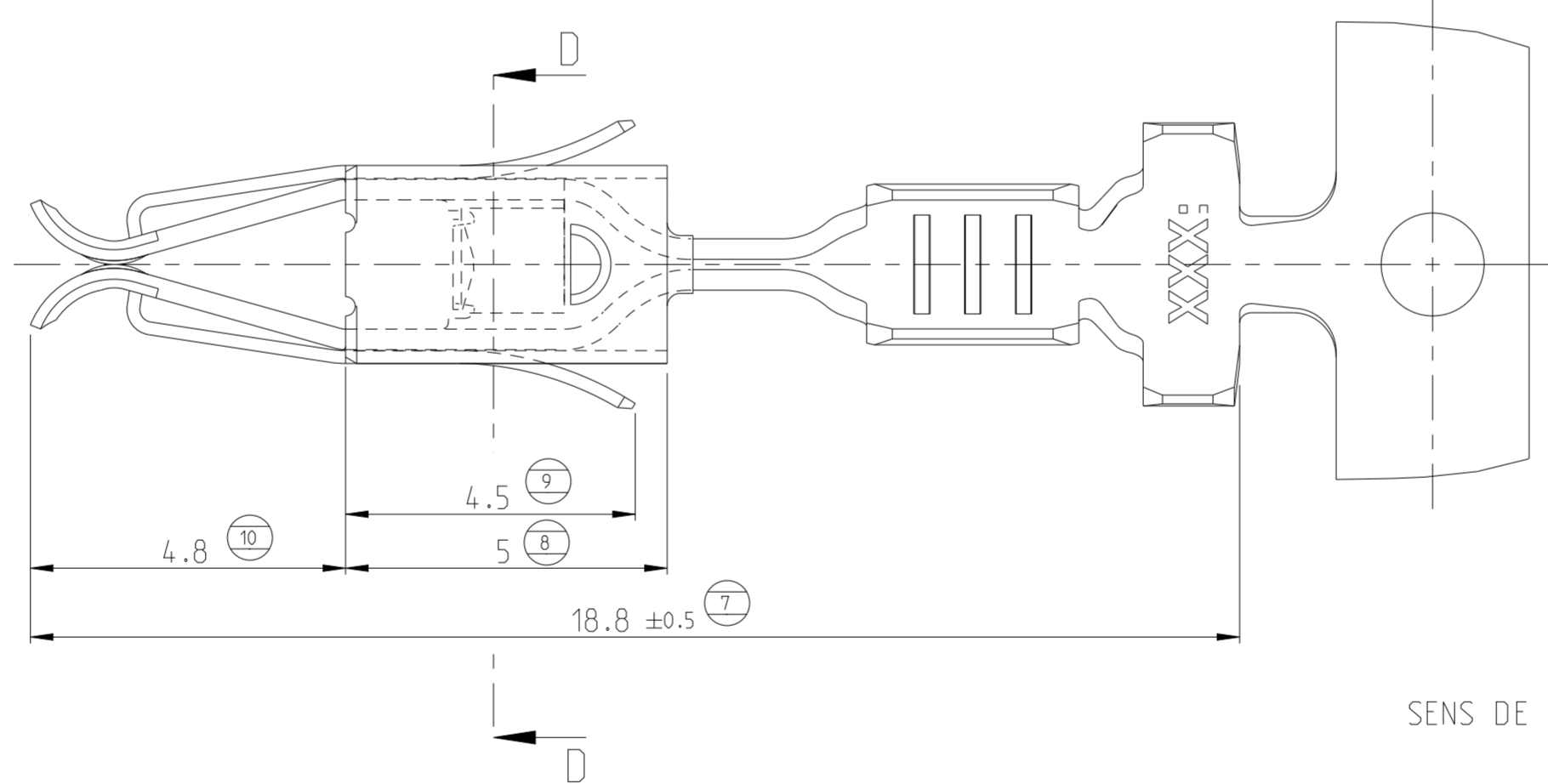


THIS DRAWING IS UNPUBLISHED. RELEASED FOR PUBLICATION
 © COPYRIGHT copyright_date BY - ALL RIGHTS RESERVED.

REVISIONS					
P	LTR	DESCRIPTION	DATE	DWN	APVD
B2		REVISED PER ECR-15-015581	28OCT2015	SCK	JP
B3		PN 144431-3 is OBSOLETE	15APR2021	JJH	JC



SPRING 144501-2
OR 927767-1



B3	OBSOLETE	PRE-GOLD 0.4 μm mini SUR 0.1 μm mini NI	CuSn4	144431-3
		PRE-TIN 0.8 A 3.3 μm	CuSn4	144431-1
		FINISH	MATERIAL	PART NUMBER

THIS DRAWING IS A CONTROLLED DOCUMENT. DIMENSIONING AND TOLERANCING PER GPS (ISO STANDARDS).

DIMENSIONS: mm	TOLERANCES UNLESS OTHERWISE SPECIFIED:	DWN: 27SEP2000 MICHEL POLIFONTE	CHK: M.POLIFONTE	APVD: JJ REVIL	12OCT2000	TE Connectivity	
0 PLC ± ±0.2	1 PLC ± ±0.2	PRODUCT SPEC	108-15121	NAME: JUNIOR POWER TIMER		SIZE: A2	CAGE CODE: 00779
2 PLC ± ±0.2	3 PLC ± ±0.2	APPLICATION SPEC	114-15050	DRAWING NO: C-144431		SCALE: 10:1	SHEET: 1 OF 1
4 PLC ± ±0.2	ANGLES ± ±5°	FINISH	-	CUSTOMER DRAWING		RESTRICTED TO: B3	REV: B3