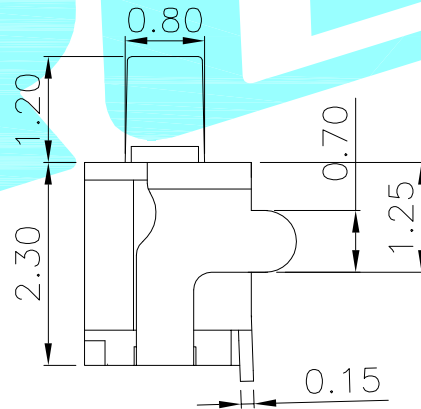
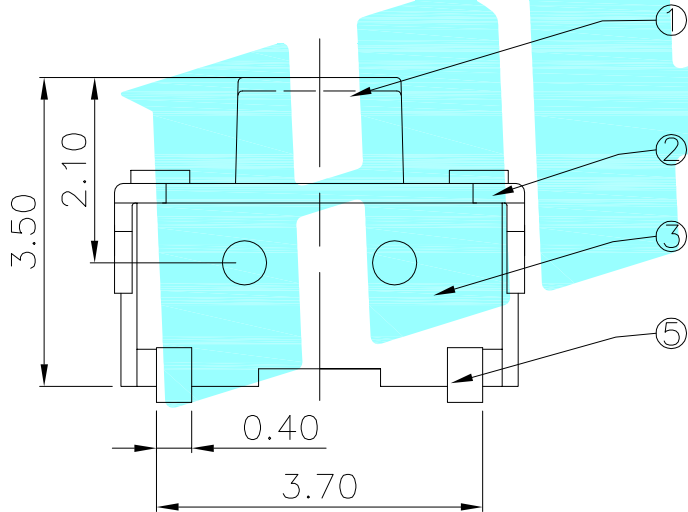
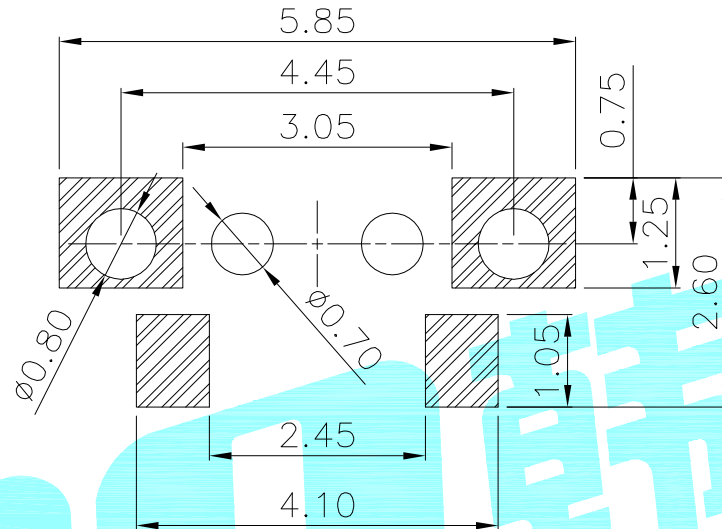
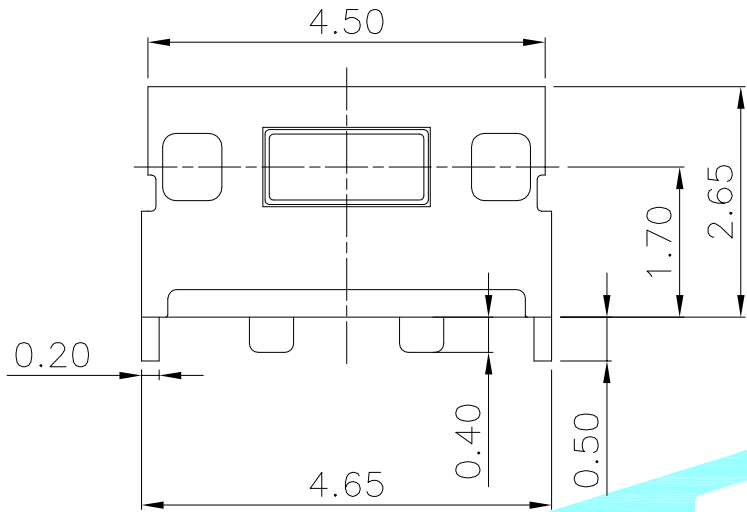


Circuit Diagram



NO.3

PART NO	MATERIAL/QTY
S	SUS/1PC
C	C5210/1PC
D	SUS/2PCS
F	C5210/2PCS

NO.2

PART NO	vigor
3	180±30
4	250±30

NO.4-NO.5

PART NO	NOTE
01~99	SERIAL NUMBER

⑥	Dust cover	—	1	KAPTON FILM	—	—
⑤	Terminal	—	2	Phosphor Bronze	Plating silver	—
④	Contact	—	1	F.Ag/C5210	—	—
③	Base	—	1	PA46	White	UL94V-0
②	Cover	—	1	Brass	Plating Sn	—
①	Keystoke	—	1	PA46	White	UL94V-0
ITEM	PART NAME	TER'NO.	QTY.	MATERIAL	FINISHING	REMARK

APPROVALS		DATE	HROE® ELECTRONICS CO.,LTD			
DRAWN	JKUN.LU	2017/12/16	TITLE:	TACT SWITCHS		
CHECKED			PART NO.	K2-1806AG-A□□W-□□		
APPROVALS			TOLERANCES ARE	30~以上 ±0.30 10~30 ±0.20 5~10 ±0.15 ~ 5 ±0.10	ANGLE	UNIT: mm SCALE: 1:1 PROJ:
				±2'	DRAWING NO.	SHEET 1 OF 1

ECN NO.	REV.	DATE.	DESCRIPTION.	CHANGE.	CHECK.	APPRO.
—	A	—	NEW	—	—	—