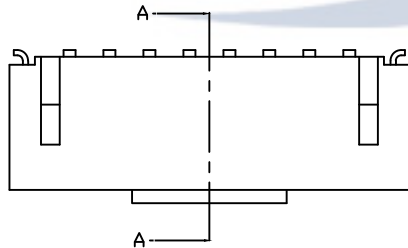
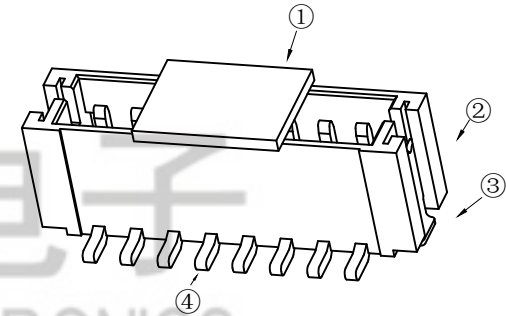
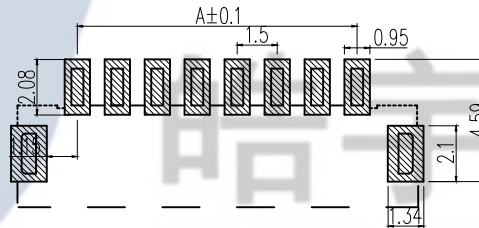
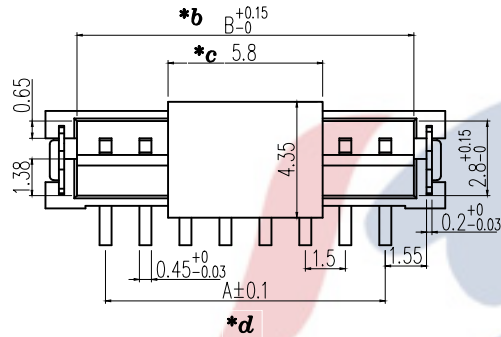
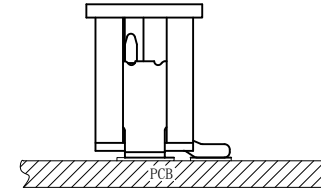
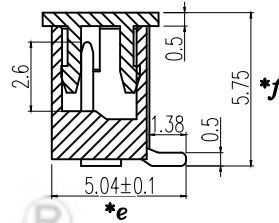


截面 A-A



Circuits	Dimensions (mm)			Circuits	Dimensions (mm)		
	A	B	C		A	B	C
ZH1500-LT-2	1.5	3.66	6.02	ZH1500-LT-12	16.5	18.66	21.02
ZH1500-LT-3	3.0	5.16	7.52	ZH1500-LT-13	18.0	20.16	22.52
ZH1500-LT-4	4.5	6.66	9.02	ZH1500-LT-14	19.5	21.66	24.02
ZH1500-LT-5	6.0	8.16	10.52	ZH1500-LT-15	21.0	23.16	25.52
ZH1500-LT-6	7.5	9.66	12.02	ZH1500-LT-16	22.5	24.66	27.02
ZH1500-LT-7	9.0	11.16	13.52	ZH1500-LT-17	24.0	26.16	28.52
ZH1500-LT-8	10.5	12.66	15.02	ZH1500-LT-18	25.5	27.66	30.02
ZH1500-LT-9	12.0	14.16	16.52	ZH1500-LT-19	27.0	29.16	31.52
ZH1500-LT-10	13.5	15.66	18.02	ZH1500-LT-20	28.5	30.66	33.02
ZH1500-LT-11	15.0	17.16	19.52				

					TOLERANCE UNLESS SPECIFIED							
					UP TO 5mm: ±0.1	ANGULAR						
					ABOVE 5mm: ±0.2	±1°	NO	DATE	REVISIONS		BY	APPD
4	CONTACT PIN	BRASS	X	SN-PLATING	TITLE: CONNECTOR			UNIT : MM	ROHS	DWN		
3	SOLDER PAD	BRASS	2	SN-PLATING	MODEL:ZH1500-LT-XX			SCALE: 6:1	COMPLIANT	CHK'D		
2	CASE	LCP	1		HOOYA (HONG KONG) LIMITED 皓宇(香港)有限公司					APPD		
1	COVER PLATE	LCP	1							PRO.AGL:		REV :A0
NO.	PART NAME	MATERIAL	QTY	FINISHING								