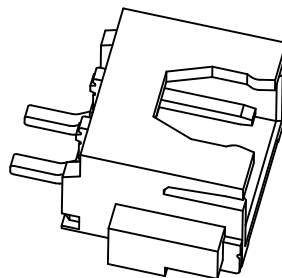
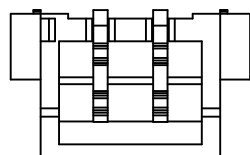
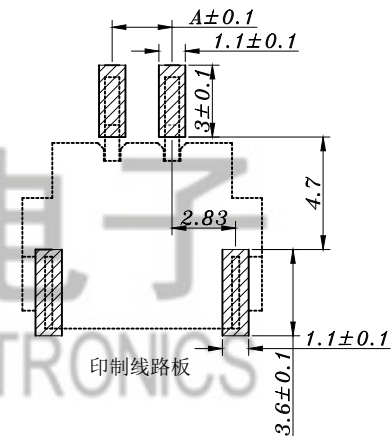
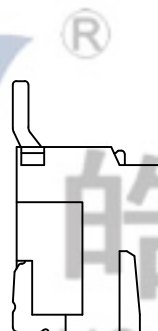
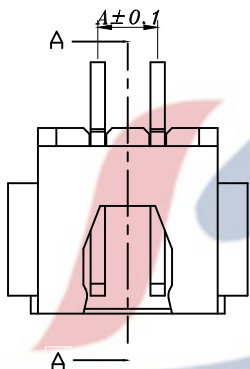
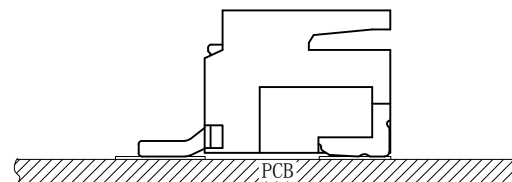
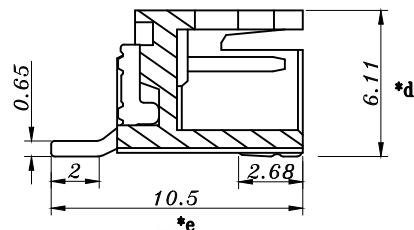
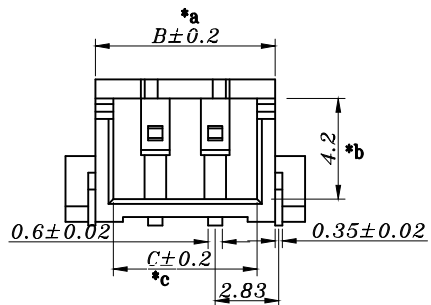


HAOYU

截面 A-A



Circuits	Dimensions (mm)			Circuits	Dimensions (mm)		
	A	B	C		A	B	C
XH2500-WT-2	2.5	7.50	6.0	XH2500-WT-12	27.5	32.5	31.0
XH2500-WT-3	5.0	10.0	8.5	XH2500-WT-13	30.0	35.0	33.5
XH2500-WT-4	7.5	12.5	11.0	XH2500-WT-14	32.5	37.5	36.0
XH2500-WT-5	10.0	15.0	13.5	XH2500-WT-15	35.0	40.0	38.5
XH2500-WT-6	12.5	17.5	16.0	XH2500-WT-16	37.5	42.5	41.0
XH2500-WT-7	15.0	20.0	18.5	XH2500-WT-17	40.0	45.0	43.5
XH2500-WT-8	17.5	22.5	21.0	XH2500-WT-18	42.5	47.5	46.0
XH2500-WT-9	20.0	25.0	23.5	XH2500-WT-19	45.0	50.0	48.5
XH2500-WT-10	22.5	27.5	26.0	XH2500-WT-20	47.5	52.5	51.0
XH2500-WT-11	25.0	30.0	28.5				

					TOLERANCE UNLESS SPECIFIED					
					UP TO 5mm: ±0.1	ANGULAR				
					ABOVE 5mm: ±0.2	±1°				
					NO	DATE	REVISIONS		BY	APPD
3	SOLDER PAD	BRASS	2	Sn-PLATED	TITLE: XH 2.5mm connector		UNIT : MM	ROHS	DWN	
2	CONTACT PIN	BRASS	XX	Sn-PLATED	MODEL: XH2500-WT-xx		SCALE: 1:1	COMPLIANT	CHK'D	
1	CASE	LCP	1		HAOYU(HONGKONG)LIMITED 皓宇(香港)有限公司				APPD	
NO.	PART NAME	MATERIAL	QTY	FINISHING					PRO.AGL:	