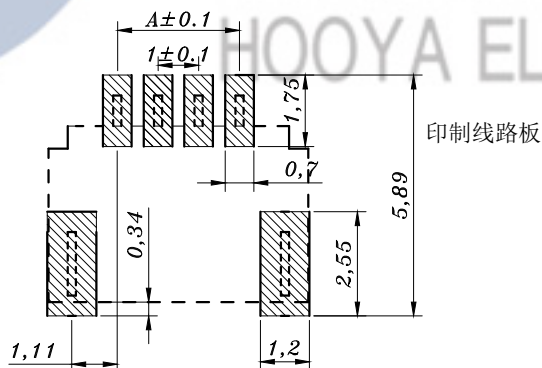
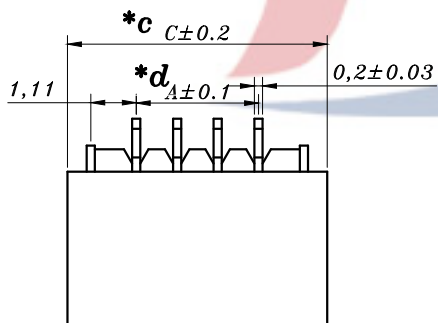
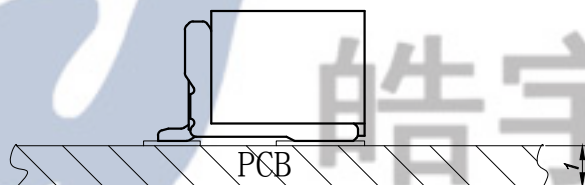
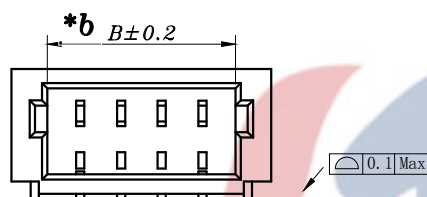
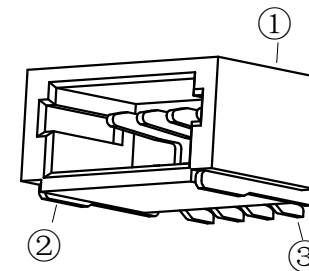
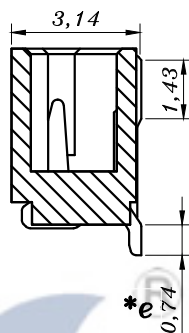


截面 A-A



印制线路板

Circuits	Dimensions (mm)			Circuits	Dimensions (mm)		
	A	B	C		A	B	C
SH1000-WT-02	1.0	2.6	4.30	SH1000-WT-12	11.0	12.6	14.30
SH1000-WT-03	2.0	3.6	5.30	SH1000-WT-13	12.0	13.6	15.30
SH1000-WT-04	3.0	4.6	6.30	SH1000-WT-14	13.0	14.6	16.30
SH1000-WT-05	4.0	5.6	7.30	SH1000-WT-15	14.0	15.6	17.30
SH1000-WT-06	5.0	6.6	8.30	SH1000-WT-16	15.0	16.6	18.30
SH1000-WT-07	6.0	7.6	9.30	SH1000-WT-17	16.0	17.6	19.30
SH1000-WT-08	7.0	8.6	10.30	SH1000-WT-18	17.0	18.6	20.30
SH1000-WT-09	8.0	9.6	11.30	SH1000-WT-19	18.0	19.6	21.30
SH1000-WT-10	9.0	10.6	12.30	SH1000-WT-20	19.0	20.6	22.30
SH1000-WT-11	10.0	11.6	13.30				

NO.	PART	NAME	MATERIAL	QTY	FINISHING	TOLERANCE UNLESS SPECIFIED		REVISIONS		BY	APPD
						UP TO 5mm: ±0.1	ANGLES ±1.5°	NO	DATE		
3	CONTACT FOOT		PBS	XX	SN-PLATED	TITLE: CONNECTOR		UNIT : MM	ROHS COMPLIANT	DWN	
2	CONTACT		PBS	2	SN-PLATED	PART NO.: SH1000-WT-XX		SCALE: 2:1	CHK'D		
1	HOUSING		LCP	1		HOOYA ELECTRONIC CO. LTD		SCALE: 2:1	APPD		
						皓宇电子有限公司		SCALE: 2:1	PRO.AGL:	⊲ ⊕	REV :A0