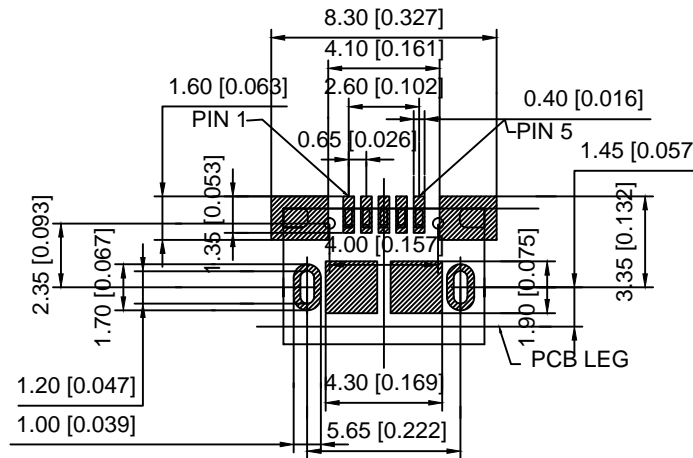
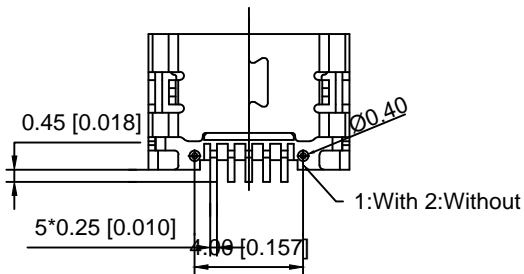
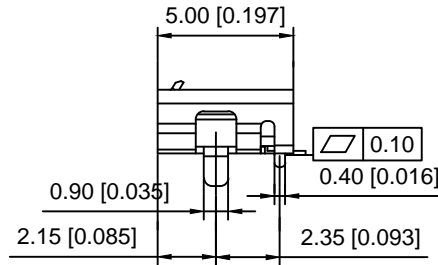
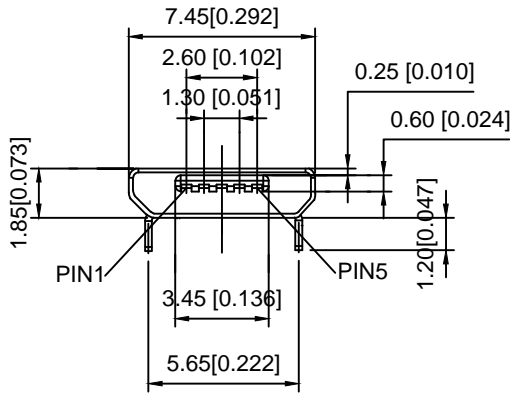


Material  
 Housing Material: LCP, UL94V-0, black  
 Contact Terminal: Copper Alloy  
 Metallic Shell: Sus  
 Electrical  
 Voltage Rating: 30 V AC  
 Current Rating: Signal (Pins 2,3,4): 1.0A, Power (Pins 1,5): 1.8A  
 Contact Resistance: 30mΩ Max  
 Insulation resistance: 1000MΩ Min  
 Dielectric withstanding voltage: 250V AC/Minute  
 Mechanical  
 Durability: 10,000 cycles  
 Mating Force: 35N (3.57Kgf) Max  
 Unmating Force: 8N (0.82Kgf) Min.



U254-05XX-4BH83-XXS  
 1:AU 1U"  
 6:AU 30U"  
 T:TIN  
 N:NICKEL  
 S:Sus  
 1:With 2:Without  
 S:Scrolls F:Flat

RECOMMENDED P.C.B. LAYOUT  
 TOP VIEW (TOLRANCE: ±0.05)

					DSND	DATE	SCALE: N/A	MODEL TYPE: MICRO USB
					DWN	DATE	VIEW:	PART NO.:
					CHKD	DATE	UNIT: mm/in	DWG NO.:
					APPD	DATE	SIZE: A4	U254-05XX-4BH83-FXS
					XKB INDUSTRIAL PRECISION CO.,LIMITED			WEIGHT 1.0g
								SHEET 1/1
								REVISION A0
Δx					ANGLAR	±5°		
Δx					L ≤ 4	±0.2		
Δx					4 < L ≤ 16	±0.3		
Δx					16 < L ≤ 63	±0.4		
MARK	DESCRIPTION	DATE	REVISED	APPROVED	L > 63	±0.5		
REVISIONS					UNSPECIFIED TOLERANCES			
www.xk-dg.cn www.helloxkb.com www.helloxkb.cn								