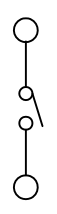
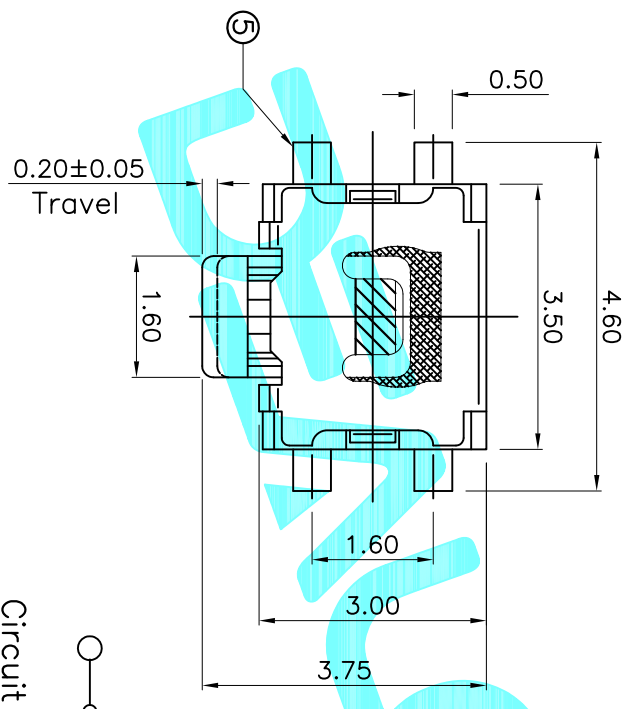
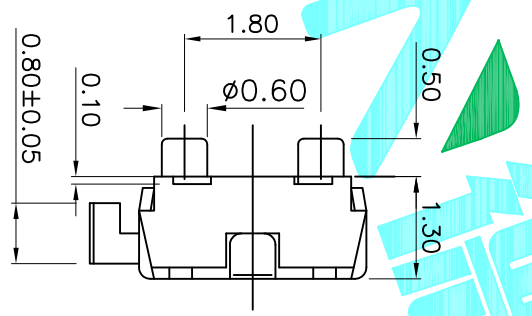


PCB Layout(Pattern side)



Circuit Diagram



PART NO.	TD-1186SA
PART NO.	TD-1186SN

ITEM	PART NAME	QTY.	MATERIAL	FINISHING
⑥	Dust cover	2	Kapton film	Yellow
⑤	Terminal	4	Phosphor Bronze	Plating silver
④	Contact	1	SUS	Plating silver
③	Base	1	LCP	White
②	Cover	1	Brass	Plating silver
①	Knob	1	PA46	Black

APPROVALS		DATE	TITLE:	
DRAWN	G.M.Chen	2015/5/19	ELECTRONICS CO.,LTD	
CHECKED			TACT SWITCHES	
APPROVALS			PART NO.	TD-1186SA-220
TOLERANCES ARE		30 <sup>±0.15</sup>	±0.30	ANGLE
		10 <sup>±0.10</sup>	±0.20	UNIT: mm
		5 <sup>±0.10</sup>	±0.15	SCALE: 1:1
			±2°	SHEET 1 OF 1
ECN NO.	REV.	DATE.	DESCRIPTION.	CHANGE.
	A		NEW	CHECK.
				APPRO.

