

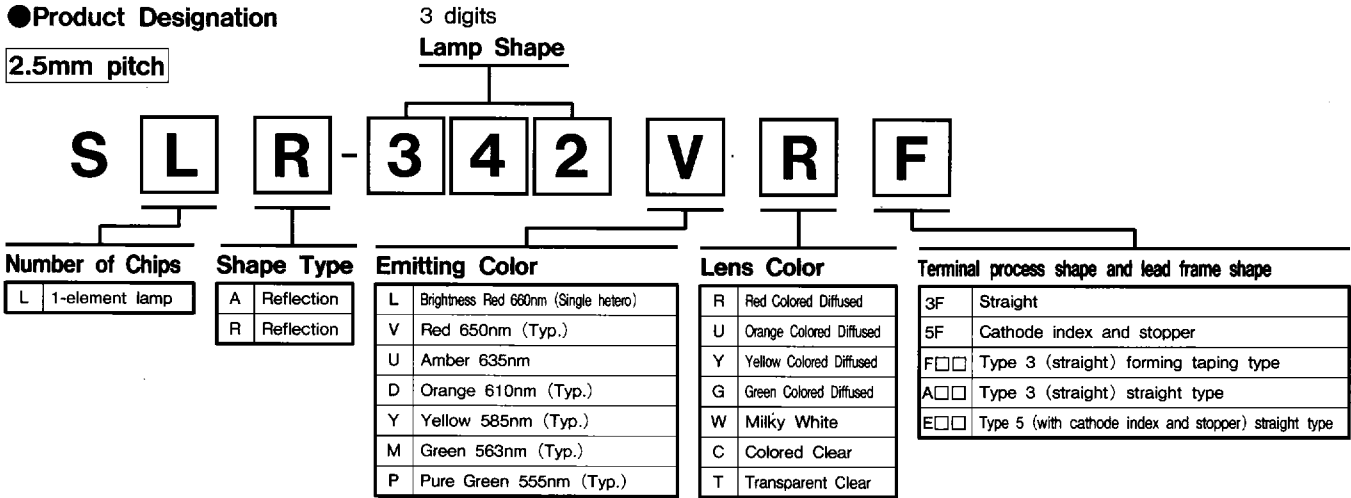
# LED Indicator Lamps (SLA · SLR)

## Direct mount LED lamps

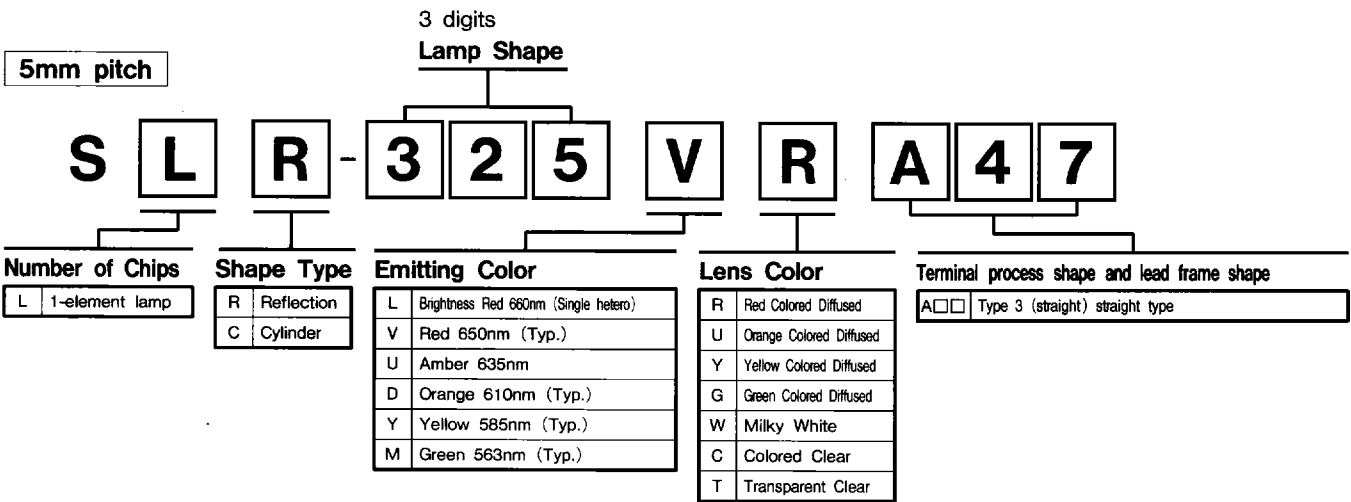
Lead pitch of 2.5mm and 5mm allow direct mount on PCB by using an automatic placement machine.  
Direct mount lamps won't fall down.

### ●Product Designation

2.5mm pitch



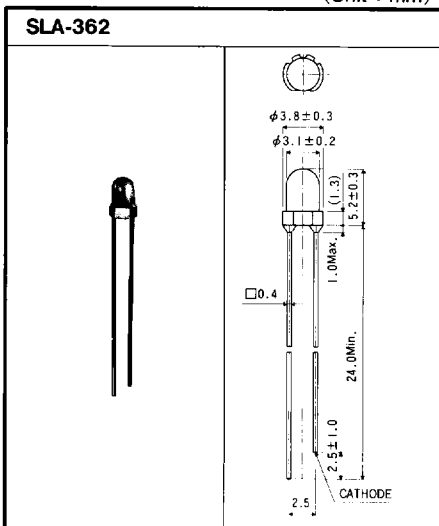
5mm pitch



### ●High luminance reflector types (SLA)

Emitter surface size (mm)	Lens	Part No.	Emitting color	Emitting material	$\lambda_p$ (nm)	Basic ordering unit	Quantity /package	Quantity /bag	Rank
$\phi 3$	Transparent clear	SLA-362LT	Red	GaAlAs	660	2,000	2,000	100	○
		SLA-362MT	Green	GaP	563				

(Unit : mm)



● Reflector types (SLR)

Type	Emitter surface size (mm)	Series name	Lens	Emitting color Emitting material $\lambda_p$ (nm)	Red		Amber	Orange	Yellow	Green	Pure Green	Basic ordering unit	Quantity /package	Quantity /bag	Rank
					GaAlAs	GaAsP on GaP	GaAsP on GaP	GaAsP on GaP	GaAsP on GaP	GaP	GaP				
					660	650	635	610	585	563	555				
Reflector types	$\phi 3.2$	SLR-332	Transparent clear		VT	UT	DT	YT	MT	PT		2,000	2,000	100	◎
			Colored clear		VC		DC	YC	MC	PC					
			Colored diffused		VR		DU	YY	MG						
			Milky white												
	$\phi 3.1$	SLR-342	Transparent clear	LT*3	VT	UT	DT	YT	MT	PT		2,000	2,000	100	◎
			Colored clear	LC*3	VC	UC	DC	YC	MC	PC					
			Colored diffused	LR*3	VR	UR	DU	YY	MG	PG					
			Milky white	LW*3	VW	UW	DW	YW	MW						
	$\phi 3.2$	SLR-325	Transparent clear									2,000 (Straight taping only)	2,000	-	◎
			Colored clear		VC		DC	YC	MC						
			Colored diffused	LR	VR			YY	MG						
			Milky white												
	$\phi 5.0$	SLR-505	Transparent clear									2,000 (Straight taping only)	2,000	-	◎
			Colored clear		VC		DC		MC						
			Colored diffused	LR	VR			YY	MG						
			Milky white												

Note : \*3 Need a certain lead time for delivery.

◎ : Standard products

(Unit : mm)

<p><b>SLR-332</b></p>	<p><b>SLR-342</b></p>
<p><b>SLR-325</b></p>	<p><b>SLR-505</b></p>

LED Indicator Lamps

LED

Taping condition

Page 223

Taping Specifications

Page 223

# LED Indicator Lamps (SLC)

## Direct mount LED lamp

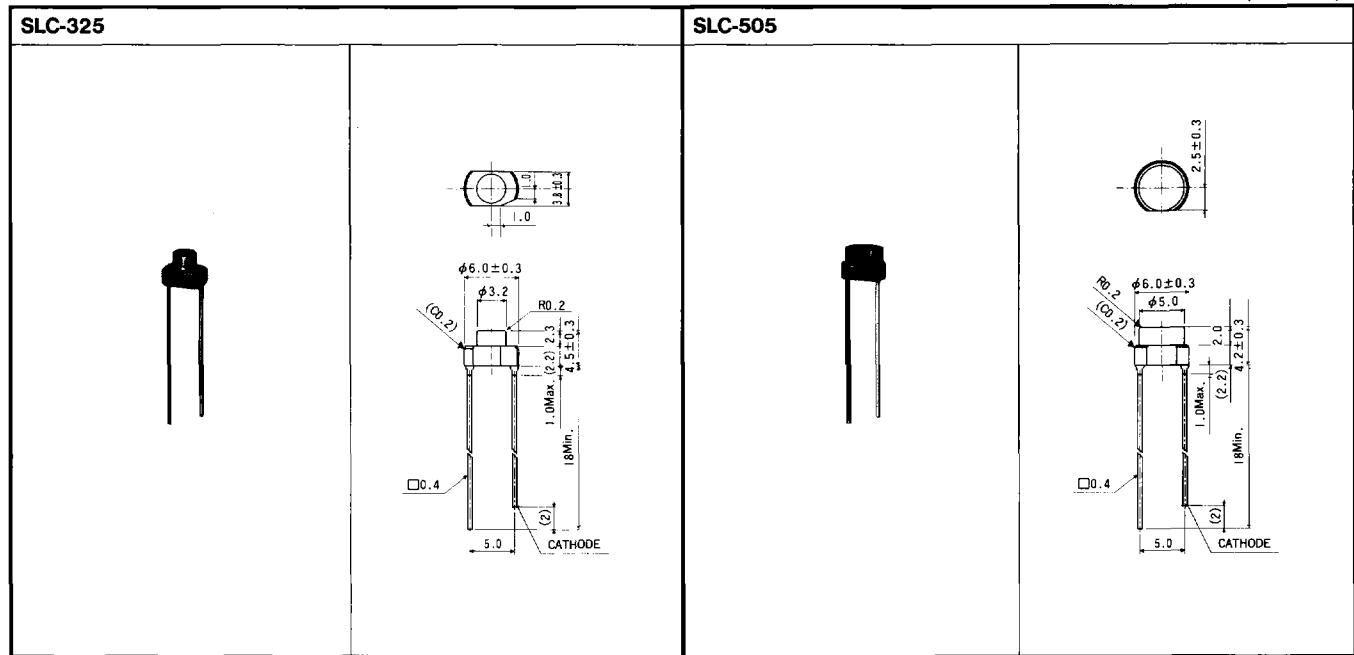
### ●Cylindrical types (SLC)

Type	Emitter surface size (mm)	Series name	Lens	Emitting color Emitting material λ p (nm)	Red		Amber	Orange	Yellow	Green	Pure Green	Basic ordering unit	Quantity /package	Quantity /bag	Rank
					GaAlAs	GaAsP on GaP	GaAsP on GaP	GaAsP on GaP	GaAsP on GaP	GaP	GaP				
					660	650	635	610	585	563	555				
Cylindrical types	φ3.2	SLC-325	Transparent clear									2,000 /Straight /taping only	2,000	-	○
			Colored clear		VC		DC	YC	MC						
			Colored diffused												
			Milky white												
	φ5.0	SLC-505	Transparent clear									2,000 /Straight /taping only	2,000	-	○
			Colored clear		VC		DC	YC	MC						
			Colored diffused												
			Milky white												

Note : \*3 Need a certain lead time for delivery .

○ : Semi-standard products

(Unit : mm)



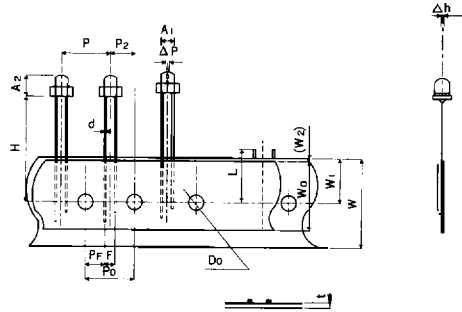
## ●Taping condition

Applicable types	Quantity/Package (pcs)
SLA-362	2000
SLC-325/505	
SLR-325/332/342/505	

## ●Taping specifications

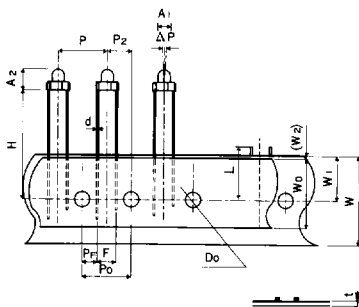
Straight type (Lead pitch : 2.5mm)

φ3 Type

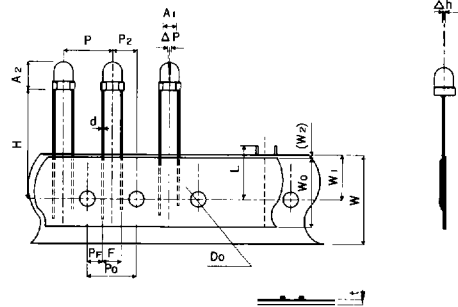


Straight type (Lead pitch : 5mm)

φ3 Type



φ5 Type



(Unit : mm)

Item	Symbol	Straight type (Lead pitch : 2.5mm)		Straight type (Lead pitch : 5.0mm)		Remarks
		φ3 Type	φ3 Type	φ3 Type	φ5 Type	
Luminous emitting surface	A <sub>1</sub>	*	φ3.2±0.2	φ3.2±0.2	φ5.0±0.2	Dimensions vary with type
Body length	A <sub>2</sub>	*	*	*	*	
Inter-unit pitch	P	12.7±1.0	12.7±1.0	12.7±1.0	12.7±1.0	
Feed hole pitch	P <sub>0</sub>	12.7±0.3	12.7±0.3	12.7±0.3	12.7±0.3	
Feed hole position (1)	P <sub>2</sub>	6.35±0.4	6.35±0.4	6.35±0.4	6.35±0.4	
Accumulated feed hole pitch error	P20	1.0Max.	1.0Max.	1.0Max.	1.0Max.	As per 20 holes
Lead diameter	d	□0.4±0.1	□0.4±0.1	□0.4±0.1	□0.4±0.1	Not including burrs
Lead-to-lead distance	F	2.5±0.8	2.5±0.8	5.0±0.8	5.0±0.8	
Unit height	H	*	*	18.0±1.0	18.0±1.0	
Base tape width	W	18.0	18.0	18.0	18.0	
Top film width	W <sub>0</sub>	13.0±0.3	13.0±0.3	13.0±0.3	13.0±0.3	
Feed hole position (2)	W <sub>1</sub>	9.0±0.5	9.0±0.5	9.0±0.5	9.0±0.5	
Top film position	W <sub>2</sub>	0~0.5	0~0.5	0~0.5	0~0.5	
Base tape thickness	t	0.7±0.2	0.7±0.2	0.7±0.2	0.7±0.2	
Unit tilt (1)	Δh	0±1.0	0±1.0	0±1.0	0±1.0	
Unit tilt (2)	ΔP	0±0.5	0±0.5	0±0.5	0±0.5	
Defective unit cutoff position	L	11.0Max.	11.0Max.	11.0Max.	11.0Max.	
Frame position	P <sub>F</sub>	5.1±0.8	5.1±0.8	3.85±0.8	3.85±0.8	
Feed hole diameter	D <sub>0</sub>	φ4.0±0.2	φ4.0±0.2	φ4.0±0.2	φ4.0±0.2	

Note : \*See dimension of each product

# LED Indicator Lamps (SLA)

## Ultra-high Luminance LEDs

ROHM ultra-high luminance LED lamps are divided into three types in terms of directivity and have a wide range of applications, e.g. on-vehicle devices (indicator, high mount stop lamp) and outdoor use (signs on road and station and advertisements).

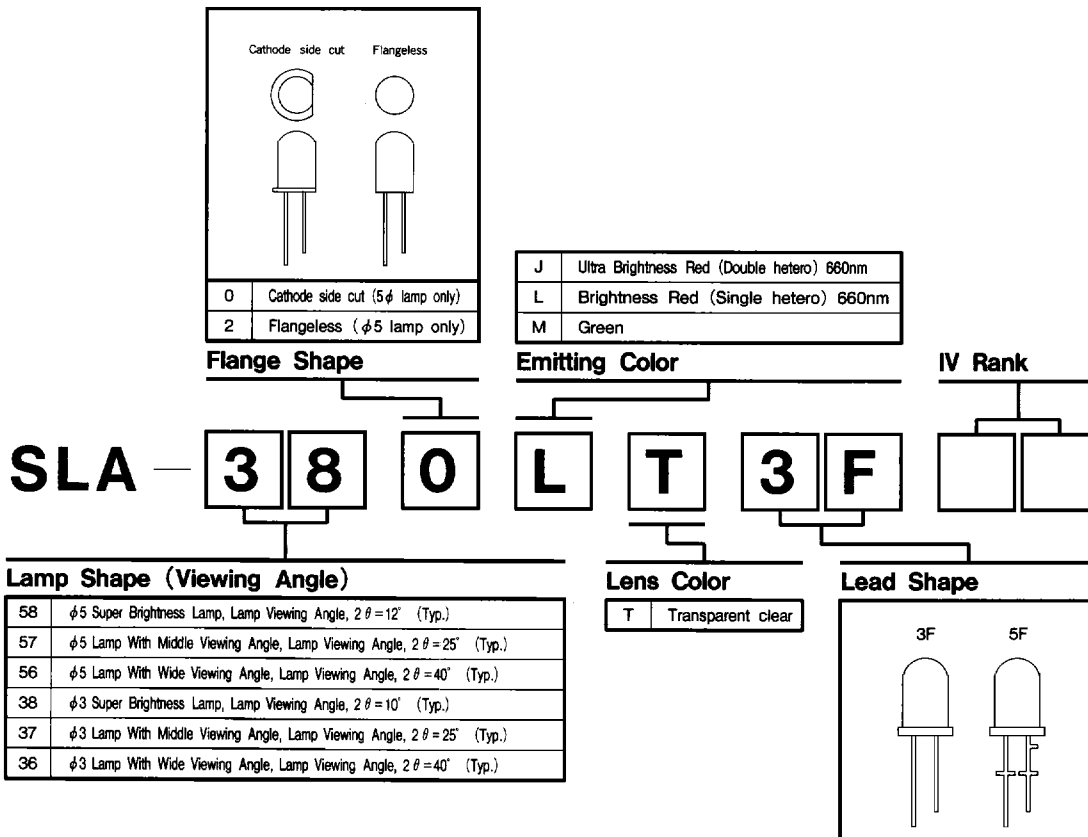
### High luminance reflector types (SLA)

	Emitter surface size (mm)	Lens	Part No.	Emitting color	Emitting material	$\lambda_p$ (nm)	Basic ordering unit	Quantity/package	Quantity/bag	Rank
Ultra-high luminance	$\phi 3$	Transparent clear	SLA-380LT/JT*3	Red	GaAlAs	660	2,000	2,000	100	○
			SLA-380MT*3	Green	GaP	563				
	$\phi 5$	Transparent clear	SLA-580LT/JT*3	Red	GaAlAs	660				
			SLA-580MT*3	Green	GaP	563				
			SLA-582LT/JT*3	Red	GaAlAs	660				
SLA-582MT*3	Green	GaP	563							
High luminance (Medium directivity)	$\phi 3$	Transparent clear	SLA-370LT/JT*3	Red	GaAlAs	660	2,000	2,000	100	○
			SLA-370MT*3	Green	GaP	563				
	$\phi 5$	Transparent clear	SLA-570LT/JT*3	Red	GaAlAs	660				
			SLA-570MT*3	Green	GaP	563				
			SLA-572LT/JT*3	Red	GaAlAs	660				
SLA-572MT*3	Green	GaP	563							
High luminance (Wide directivity)	$\phi 3$	Transparent clear	SLA-360LT/JT*3	Red	GaAlAs	660	2,000	2,000	100	○
			SLA-360MT*3	Green	GaP	563				
	$\phi 5$	Transparent clear	SLA-560LT/JT*3	Red	GaAlAs	660				
			SLA-560MT*3	Green	GaP	563				
			SLA-562LT/JT*3	Red	GaAlAs	660				
SLA-562MT*3	Green	GaP	563							


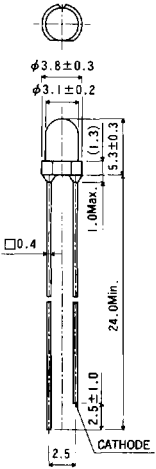

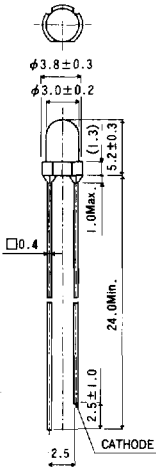

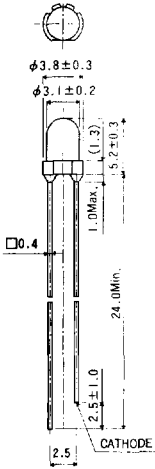

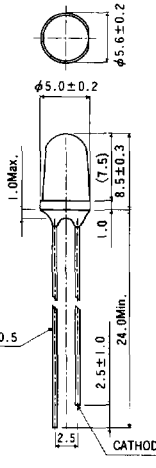

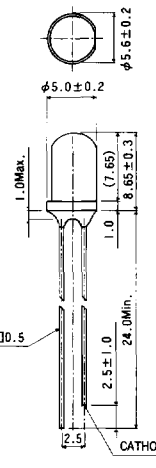

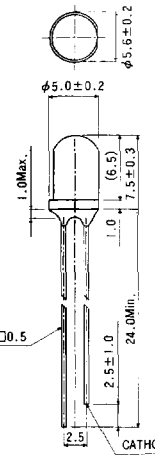
Note : \*3 Need a certain lead time for delivery.

○ : Semi-standard products

### Product Designation



(Unit : mm)

<p><b>SLA-380</b></p> 	 <p> <math>\phi 3.8 \pm 0.3</math>  <math>\phi 3.1 \pm 0.2</math>  <math>1.0 \text{Max.}</math>  <math>1.3</math>  <math>5.3 \pm 0.3</math>  <math>0.4</math>  <math>24.0 \text{Min.}</math>  <math>2.5 \pm 1.0</math>                  CATHODE  <math>2.5</math> </p>	<p><b>SLA-370</b></p> 	 <p> <math>\phi 3.8 \pm 0.3</math>  <math>\phi 3.0 \pm 0.2</math>  <math>1.0 \text{Max.}</math>  <math>1.3</math>  <math>5.2 \pm 0.3</math>  <math>0.4</math>  <math>24.0 \text{Min.}</math>  <math>2.5 \pm 1.0</math>                  CATHODE  <math>2.5</math> </p>	<p><b>SLA-360</b></p> 	 <p> <math>\phi 3.8 \pm 0.3</math>  <math>\phi 3.1 \pm 0.2</math>  <math>1.0 \text{Max.}</math>  <math>1.3</math>  <math>5.2 \pm 0.3</math>  <math>0.4</math>  <math>24.0 \text{Min.}</math>  <math>2.5 \pm 1.0</math>                  CATHODE  <math>2.5</math> </p>
<p><b>SLA-580</b></p> 	 <p> <math>\phi 5.6 \pm 0.2</math>  <math>\phi 5.0 \pm 0.2</math>  <math>1.0 \text{Max.}</math>  <math>1.0</math>  <math>7.5</math>  <math>8.5 \pm 0.3</math>  <math>0.5</math>  <math>24.0 \text{Min.}</math>  <math>2.5 \pm 1.0</math>                  CATHODE  <math>2.5</math> </p>	<p><b>SLA-570</b></p> 	 <p> <math>\phi 5.6 \pm 0.2</math>  <math>\phi 5.0 \pm 0.2</math>  <math>1.0 \text{Max.}</math>  <math>1.0</math>  <math>7.65</math>  <math>8.65 \pm 0.3</math>  <math>0.5</math>  <math>24.0 \text{Min.}</math>  <math>2.5 \pm 1.0</math>                  CATHODE  <math>2.5</math> </p>	<p><b>SLA-560</b></p> 	 <p> <math>\phi 5.6 \pm 0.2</math>  <math>\phi 5.0 \pm 0.2</math>  <math>1.0 \text{Max.}</math>  <math>1.0</math>  <math>6.5</math>  <math>7.5 \pm 0.3</math>  <math>0.5</math>  <math>24.0 \text{Min.}</math>  <math>2.5 \pm 1.0</math>                  CATHODE  <math>2.5</math> </p>

LED Indicator Lamps

LED

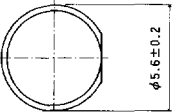
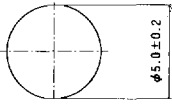
Taping condition

Page 235

Taping Specifications

Page 235

Shape of the flange

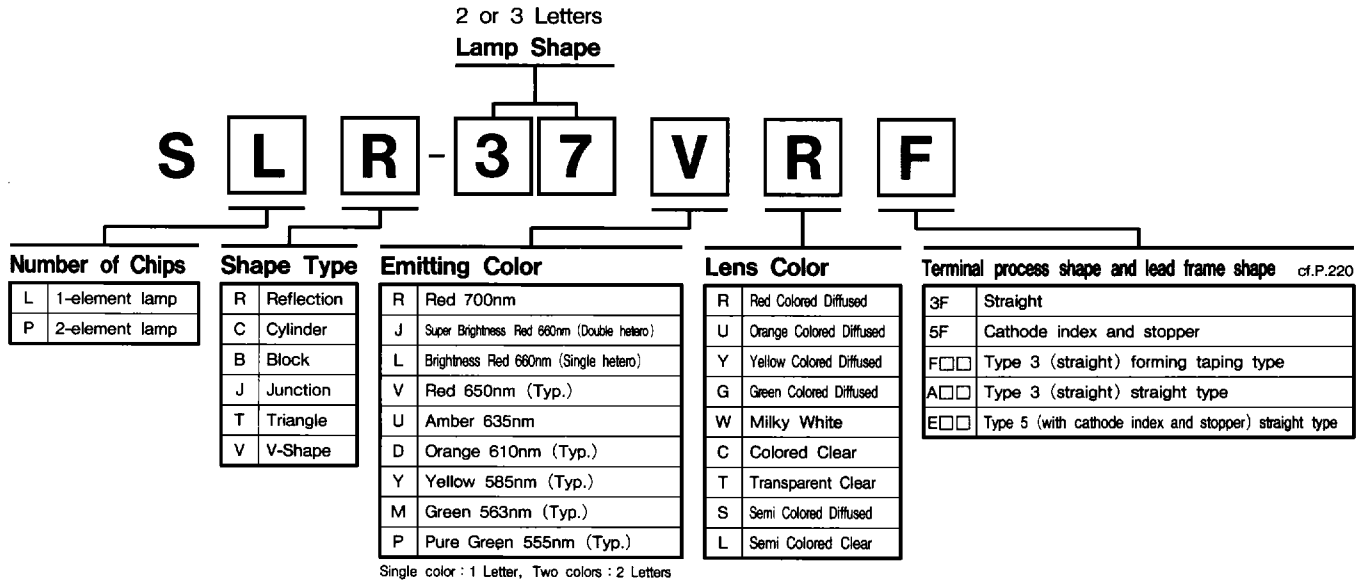
<p><b>SLA-5□0</b></p>  <p><math>\phi 5.6 \pm 0.2</math></p> <p>Flange cut off on the cathode side</p>
<p><b>SLA-5□2</b></p>  <p><math>\phi 5.0 \pm 0.2</math></p> <p>Straight (no flange)</p>

# LED Indicator Lamps (SLR)

## High luminance LED lamps

A wide range of product types are available including reflective lamps, block types and in various shapes. The applications include pilot, bar display, flat illumination display, backlight, etc.

### Product Designation



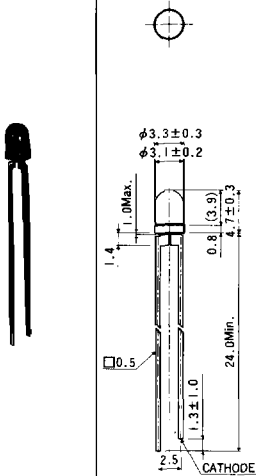
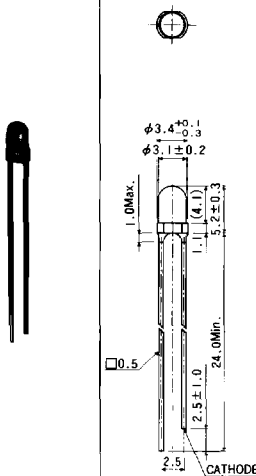
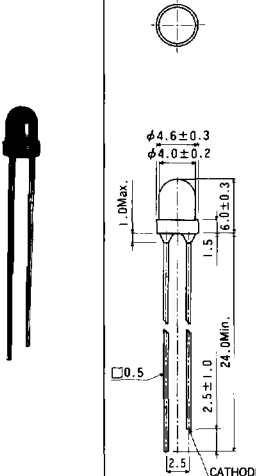
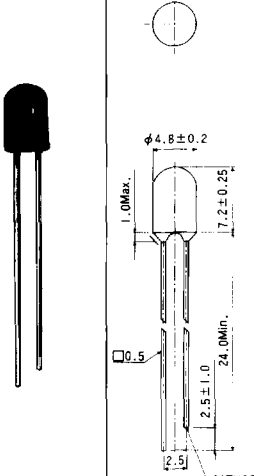
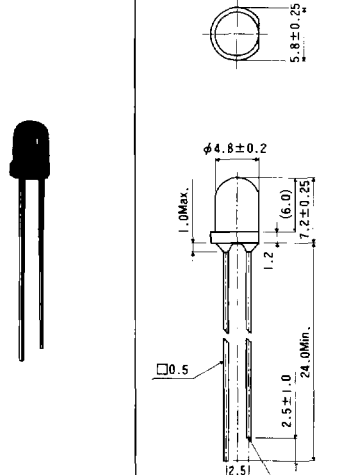
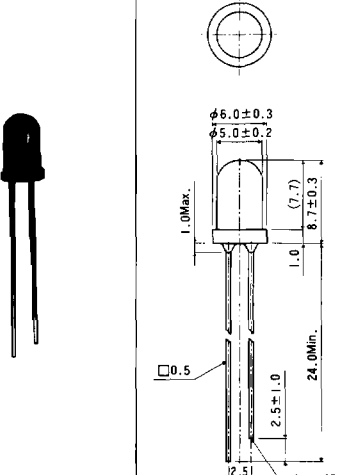
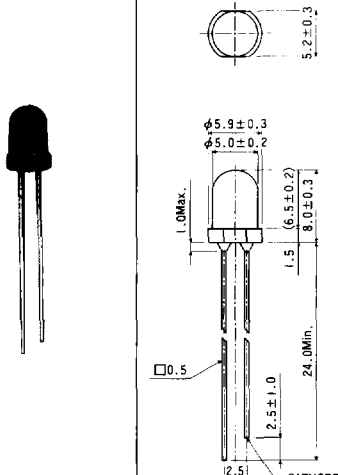
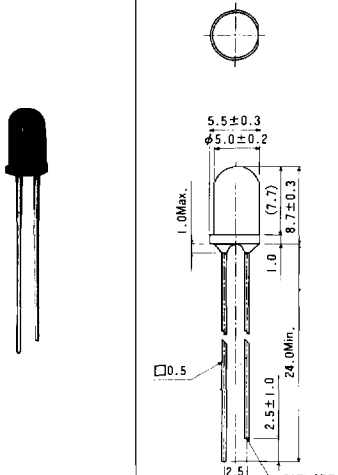
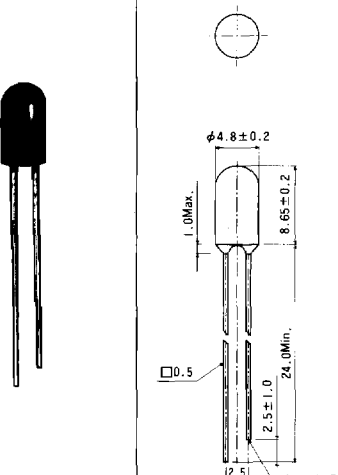
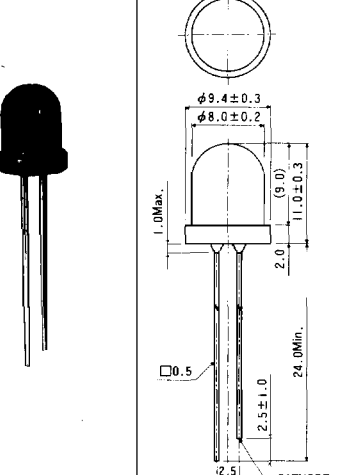
### Reflector types (SLR)

Type	Emitter surface size (mm)	Series name	Lens	Emitting color λ p (nm)	Red		Amber	Orange	Yellow	Green	Pure Green	Basic ordering unit	Quantity /package	Quantity /bag	Rank
					GaAlAs 660	GaAsP on GaP 650	GaAsP on GaP 635	GaAsP on GaP 610	GaAsP on GaP 585	GaP 563	GaP 555				
Reflector types	φ3.1	SLR-37	Transparent clear	LT*3	VT	UT	DT*3	YT	MT			2,000	2,000	100	○
			Colored clear		VC	UC	DC	YC	MC						
			Colored diffused		VR	UR	DU	YY	MG	PG					
			Milky white												
	φ3.1	SLR-38	Transparent clear							MT		2,000	2,000	100	○
			Colored clear		VC		DC		MC						
			Colored diffused		VR			YY	MG						
			Milky white												
	φ4.0	SLR-40	Transparent clear								MT	1,000	1,000	100	○
			Colored clear		VC		DC	YC	MC						
			Colored diffused		VR	UR	DU	YY	MG						
			Milky white												
	φ4.8	SLR-47	Transparent clear								MT	1,000	1,000	100	○
			Colored clear		VC				MC						
			Colored diffused		VR		DU	YY	MG						
			Milky white												
φ4.8	SLR-48	Transparent clear									1,000	1,000	100	○	
		Colored clear													
		Colored diffused		VR			YY	MG							
		Milky white													
φ5.0	SLR-54	Transparent clear		VT	UT	DT	YT	MT	PT		1,000	1,000	100	◎	
		Colored clear		VC		DC	YC	MC	PC						
		Colored diffused		VR	UR	DU	YY	MG							
		Milky white		VW	UW	DW	YW	MW							
φ5.0	SLR-55	Transparent clear		VT		DT	YT	MT		PC	1,000	1,000	100	○	
		Colored clear		VC		DC	YC	MC							
		Colored diffused		VR		DU	YY	MG							
		Milky white		VW		DW	YW	MW							
φ5.0	SLR-56	Transparent clear	LT*3	VT	UT			MT			1,000	1,000	100	◎	
		Colored clear		VC		DC	YC	MC	PC						
		Colored diffused		VR	UR	DU	YY	MG	PG						
		Milky white		VW	UW	DW	YW	MW							
φ4.8	SLR-57	Transparent clear							MT		1,000	1,000	100	○	
		Colored clear		VC		DC	YC	MC							
		Colored diffused		VR	UR	DU	YY	MG							
		Milky white		VW				MW							
φ8.0	SLR-80	Transparent clear									500	500	50	○	
		Colored clear													
		Colored diffused		VR*3		DU*3	YY*3	MG*3							
		Milky white													

Note : \*3 Need a certain lead time for delivery.

◎ : Standard products ○ : Semi-standard products

(Unit : mm)

SLR-37	SLR-38	SLR-40	SLR-47
 <p> <math>\phi 3.3 \pm 0.3</math>  <math>\phi 3.1 \pm 0.2</math>            1.4            1.0Max.            0.8 (3.9)            4.7 <math>\pm 0.3</math>            24.0Min.  <math>1.3 \pm 1.0</math>  <math>2.5</math> CATHODE         </p>	 <p> <math>\phi 3.4^{+0.1}_{-0.3}</math>  <math>\phi 3.1 \pm 0.2</math>            1.0Max.            1.1 (4.1)            5.2 <math>\pm 0.3</math>            24.0Min.  <math>2.5 \pm 1.0</math>  <math>2.5</math> CATHODE         </p>	 <p> <math>\phi 4.6 \pm 0.3</math>  <math>\phi 4.0 \pm 0.2</math>            1.0Max.            1.5            6.0 <math>\pm 0.3</math>            24.0Min.  <math>2.5 \pm 1.0</math>  <math>2.5</math> CATHODE         </p>	 <p> <math>\phi 4.8 \pm 0.2</math>            1.0Max.  <math>7.2 \pm 0.25</math>            24.0Min.  <math>2.5 \pm 1.0</math>  <math>2.5</math> CATHODE         </p>
SLR-48	SLR-54	SLR-55	
 <p> <math>\phi 4.8 \pm 0.2</math>            1.0Max.            1.2 (6.0)            7.2 <math>\pm 0.25</math>            24.0Min.  <math>2.5 \pm 1.0</math>  <math>2.5</math> CATHODE         </p>	 <p> <math>\phi 6.0 \pm 0.3</math>  <math>\phi 5.0 \pm 0.2</math>            1.0Max.            1.0 (7.7)            8.7 <math>\pm 0.3</math>            24.0Min.  <math>2.5 \pm 1.0</math>  <math>2.5</math> CATHODE         </p>	 <p> <math>\phi 5.9 \pm 0.3</math>  <math>\phi 5.0 \pm 0.2</math>            1.0Max.            1.5 (6.5 <math>\pm 0.2</math>)            8.0 <math>\pm 0.3</math>            24.0Min.  <math>2.5 \pm 1.0</math>  <math>2.5</math> CATHODE         </p>	
SLR-56	SLR-57	SLR-80	
 <p> <math>\phi 5.5 \pm 0.3</math>  <math>\phi 5.0 \pm 0.2</math>            1.0Max.            1.0 (7.7)            8.7 <math>\pm 0.3</math>            24.0Min.  <math>2.5 \pm 1.0</math>  <math>2.5</math> CATHODE         </p>	 <p> <math>\phi 4.8 \pm 0.2</math>            1.0Max.            8.65 <math>\pm 0.2</math>            24.0Min.  <math>2.5 \pm 1.0</math>  <math>2.5</math> CATHODE         </p>	 <p> <math>\phi 9.4 \pm 0.3</math>  <math>\phi 8.0 \pm 0.2</math>            1.0Max.            2.0 (9.0)            11.0 <math>\pm 0.3</math>            24.0Min.  <math>2.5 \pm 1.0</math>  <math>2.5</math> CATHODE         </p>	

LED Indicator Lamps

LED

Taping condition

Page 235

Taping specifications

Page 235



# LED Indicator Lamps (SLR · SLV · SLC)

## High luminance LED lamps

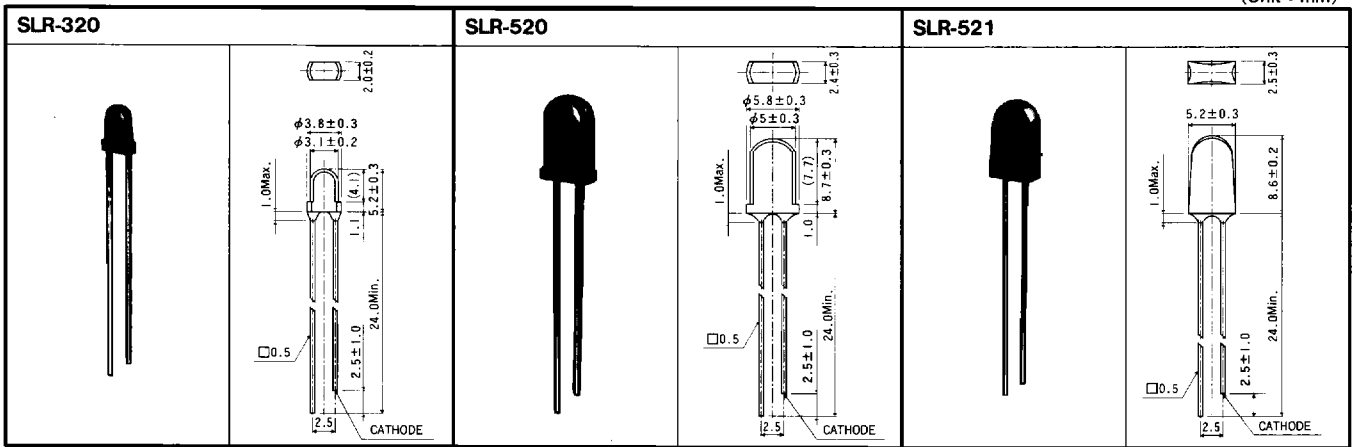
### ● Flat disc types (SLR)

Type	Emitter surface size (mm)	Series name	Lens	Emitting color Emitting material λ p (nm)	Red		Amber	Orange	Yellow	Green	Pure Green	Basic ordering unit	Quantity /package	Quantity /bag	Rank
					GaAlAs	GaAsP on GaP	GaAsP on GaP	GaAsP on GaP	GaAsP on GaP	GaP	GaP				
					660	650	635	610	585	563	555				
Flat disc types	φ3.1	SLR-320	Transparent clear	LT*3	VT		DT	YT	MT	PT		2,000	2,000	100	○
			Colored clear		VC		DC	YC	MC	PC					
			Colored diffused		VR	UR	DU	YY	MG	PG					
			Milky white												
	φ5.0	SLR-520	Transparent clear		VT*3		DT*3	YT*3	MT*3			1,000	1,000	100	○
			Colored clear		VC		DC	YC	MC						
			Colored diffused		VR				MG						
			Milky white												
	φ5.0	SLR-521	Transparent clear									1,000	1,000	100	○
			Colored clear												
			Colored diffused	LS*3					MS						
			Milky white												

Note : \*3 Need a certain lead time for delivery.

○ : Semi-standard products

(Unit : mm)



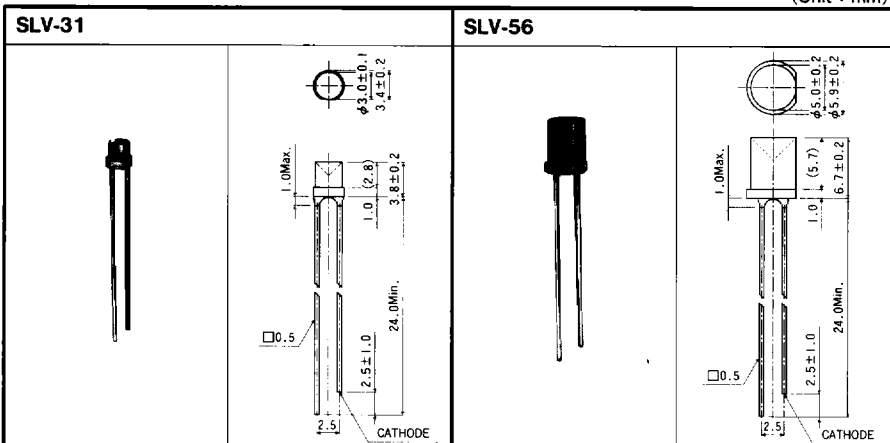
### ● Inverted cone types (SLV)

Type	Emitter surface size (mm)	Series name	Lens	Emitting color Emitting material λ p (nm)	Red		Amber	Orange	Yellow	Green	Pure Green	Basic ordering unit	Quantity /package	Quantity /bag	Rank
					GaAlAs	GaAsP on GaP	GaAsP on GaP	GaAsP on GaP	GaAsP on GaP	GaP	GaP				
					660	650	635	610	585	563	555				
Inverted cone types	φ3.0	SLV-31	Transparent clear	LT*3	VT		DT	YT	MT			2,000	2,000	100	○
			Colored clear		VC		DC	YC	MC	PC					
			Colored diffused												
			Milky white												
	φ5.0	SLV-56	Transparent clear	LT*3	VT		DT	YT	MT			1,000	1,000	100	○
			Colored clear		VC		DC	YC	MC	PC					
			Colored diffused												
			Milky white												

Note : \*3 Need a certain lead time for delivery.

○ : Semi-standard products

(Unit : mm)



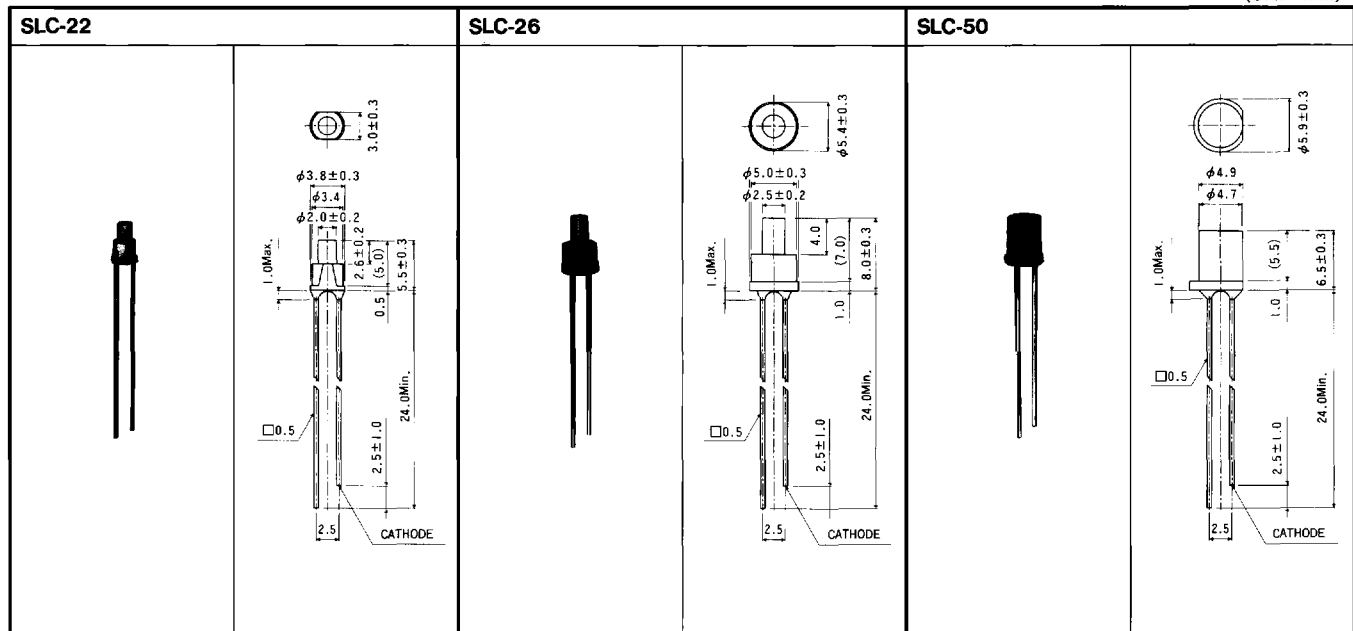
●Cylindrical types (SLC)

Type	Emitter surface size (mm)	Series name	Lens	Emitting color Emitting material λ p (nm)	Red		Amber	Orange	Yellow	Green	Pure Green	Basic ordering unit	Quantity /package	Quantity /bag	Rank
					GaAlAs	GaAsP on GaP	GaAsP on GaP	GaAsP on GaP	GaAsP on GaP	GaP	GaP				
Cylindrical types	φ 2.0	SLC-22	Transparent clear									2,000	2,000	100	○
			Colored clear												
			Colored diffused		VR	UR	DU	YY	MG						
			Milky white		VW		DW	YW	MW						
	φ 2.5	SLC-26	Transparent clear									1,000	1,000	100	○
			Colored clear												
			Colored diffused		VR	UR	DU	YY	MG						
			Milky white		VW	UW	DW	YW	MW						
	φ 4.7	SLC-50	Transparent clear	LT*3								1,000	1,000	100	○
			Colored clear												
			Colored diffused												
			Milky white	LW*3	VW		DW	YW	MW						

Note : \*3 Need a certain lead time for delivery.

○ : Semi-standard products

(Unit : mm)



LED Indicator Lamps

LED

Product Designation

Page 226

Taping condition

Page 235

Taping specifications

Page 235

# LED Indicator Lamps (SLB)

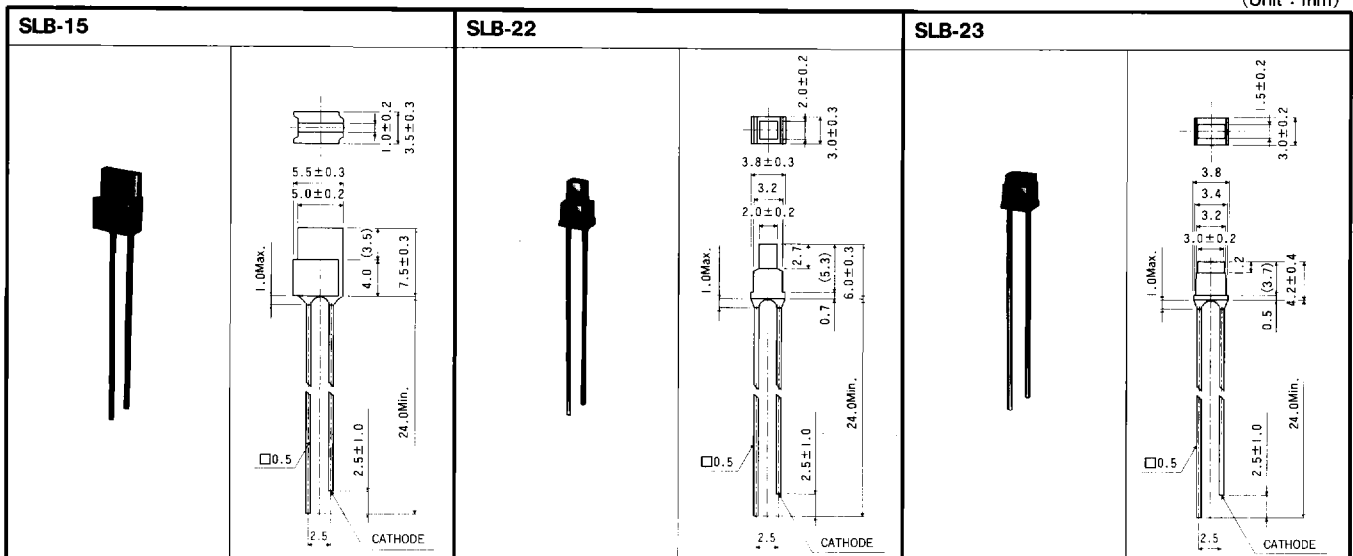
## High luminance LED lamps

### ●Rectangular types (SLB)


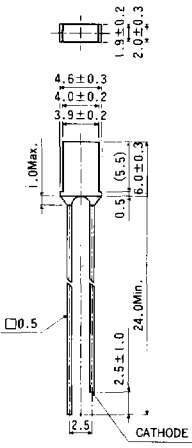

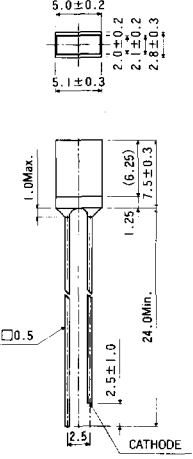

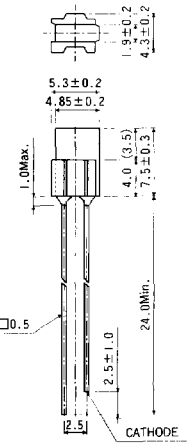

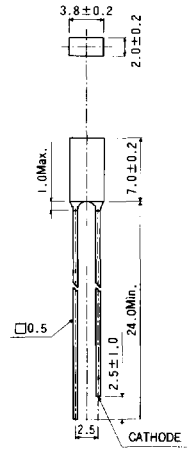

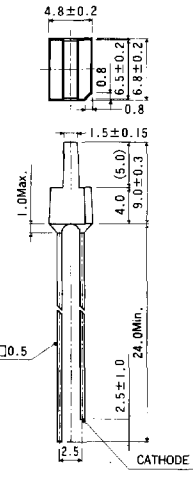
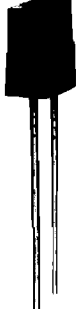
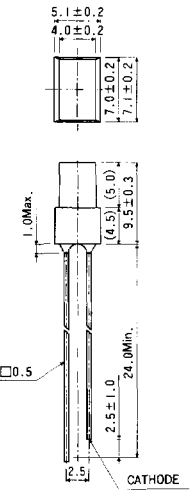

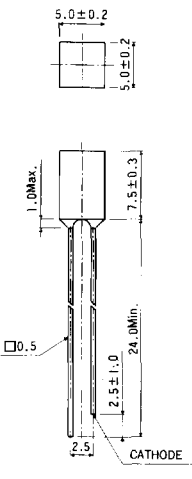
Type	Emitter surface size (mm)	Series name	Emitting color		Red		Amber	Orange	Yellow	Green	Pure Green	Basic ordering unit	Quantity /package	Quantity /bag	Rank
			Lens	Emitting material	GaAlAs	GaAsP on GaP	GaAsP on GaP	GaAsP on GaP	GaAsP on GaP	GaP	GaP				
			$\lambda p$ (nm)	660	650	635	610	585	563	555					
Rectangular types	1×5	SLB-15	Transparent clear									1,000	1,000	100	○
			Colored clear												
			Colored diffused		VR	UR	DU	YY	MG	PG					
			Milky white		VW		DW	YW	MW						
	2×2	SLB-22	Transparent clear									2,000	2,000	100	○
			Colored clear												
			Colored diffused		VR	UR	DU	YY	MG						
			Milky white							PW					
	1.5×3	SLB-23	Transparent clear									2,000	2,000	100	○
			Colored clear												
			Colored diffused		VR	UR	DU	YY	MG						
			Milky white												
	1.9×4	SLB-24	Transparent clear									2,000	2,000	100	◎
			Colored clear												
			Colored diffused		VR		DU	YY	MG						
			Milky white												
	2×5	SLB-25	Transparent clear									1,000	1,000	100	◎
			Colored clear												
			Colored diffused		VR/VRD	UR	DU	YY/YYD	MG	PGD					
			Milky white												
	1.9×4.85	SLB-26	Transparent clear									1,000	1,000	100	○
			Colored clear												
			Colored diffused		VR	UR	DU	YY	MG						
			Milky white		VW	UW	DW	YW	MW						
	2×3.8	SLB-27	Transparent clear									1,000	1,000	100	○
			Colored clear												
			Colored diffused		VR		DU	YY	MG						
			Milky white												
1.5×6.5	SLB-72	Transparent clear									1,000	1,000	100	○	
		Colored clear													
		Colored diffused		VRD	URD	DUD	YYD	MGD							
		Milky white													
4×7	SLB-74	Transparent clear									1,000	500	100	○	
		Colored clear													
		Colored diffused		VRD	URD		YYD	MGD							
		Milky white													
5×5	SLB-55	Transparent clear									1,000	1,000	100	◎	
		Colored clear													
		Colored diffused		VR	UR	DU	YY	MG							
		Milky white													

◎ : Standard products ○ : Semi-standard products

(Unit : mm)



(Unit : mm)

<p><b>SLB-24</b></p> 	 <p> <math>4.6 \pm 0.3</math>  <math>4.0 \pm 0.2</math>  <math>3.9 \pm 0.2</math>  <math>1.9 \pm 0.2</math>  <math>2.0 \pm 0.3</math>  <math>1.0 \text{Max.}</math>  <math>0.5</math>  <math>2.5 \pm 1.0</math>  <math>24.0 \text{Min.}</math>  <math>2.5</math> CATHODE         </p>
<p><b>SLB-25</b></p> 	 <p> <math>5.0 \pm 0.2</math>  <math>2.0 \pm 0.2</math>  <math>2.1 \pm 0.2</math>  <math>2.0 \pm 0.3</math>  <math>5.1 \pm 0.3</math>  <math>1.0 \text{Max.}</math>  <math>0.5</math>  <math>2.5 \pm 1.0</math>  <math>24.0 \text{Min.}</math>  <math>2.5</math> CATHODE         </p>
<p><b>SLB-26</b></p> 	 <p> <math>5.3 \pm 0.2</math>  <math>4.85 \pm 0.2</math>  <math>1.9 \pm 0.2</math>  <math>4.3 \pm 0.2</math>  <math>1.0 \text{Max.}</math>  <math>0.5</math>  <math>2.5 \pm 1.0</math>  <math>24.0 \text{Min.}</math>  <math>2.5</math> CATHODE         </p>
<p><b>SLB-27</b></p> 	 <p> <math>3.8 \pm 0.2</math>  <math>2.0 \pm 0.2</math>  <math>1.0 \text{Max.}</math>  <math>0.5</math>  <math>2.5 \pm 1.0</math>  <math>24.0 \text{Min.}</math>  <math>2.5</math> CATHODE         </p>
<p><b>SLB-72</b></p> 	 <p> <math>4.8 \pm 0.2</math>  <math>1.08</math>  <math>6.5 \pm 0.2</math>  <math>0.8</math>  <math>0.8</math>  <math>1.5 \pm 0.15</math>  <math>4.0</math>  <math>9.0 \pm 0.3</math>  <math>1.0 \text{Max.}</math>  <math>0.5</math>  <math>2.5 \pm 1.0</math>  <math>24.0 \text{Min.}</math>  <math>2.5</math> CATHODE         </p>
<p><b>SLB-74</b></p> 	 <p> <math>5.1 \pm 0.2</math>  <math>4.0 \pm 0.2</math>  <math>7.0 \pm 0.2</math>  <math>7.1 \pm 0.2</math>  <math>1.0 \text{Max.}</math>  <math>0.5</math>  <math>2.5 \pm 1.0</math>  <math>24.0 \text{Min.}</math>  <math>2.5</math> CATHODE         </p>
<p><b>SLB-55</b></p> 	 <p> <math>5.0 \pm 0.2</math>  <math>5.0 \pm 0.2</math>  <math>1.0 \text{Max.}</math>  <math>0.5</math>  <math>2.5 \pm 1.0</math>  <math>24.0 \text{Min.}</math>  <math>2.5</math> CATHODE         </p>

LED Indicator Lamps

LED

Product Designation

Page 226

Taping condition

Page 235

Taping specifications

Page 235

# LED Indicator Lamps (SLT · SLJ · SPR · SPB)

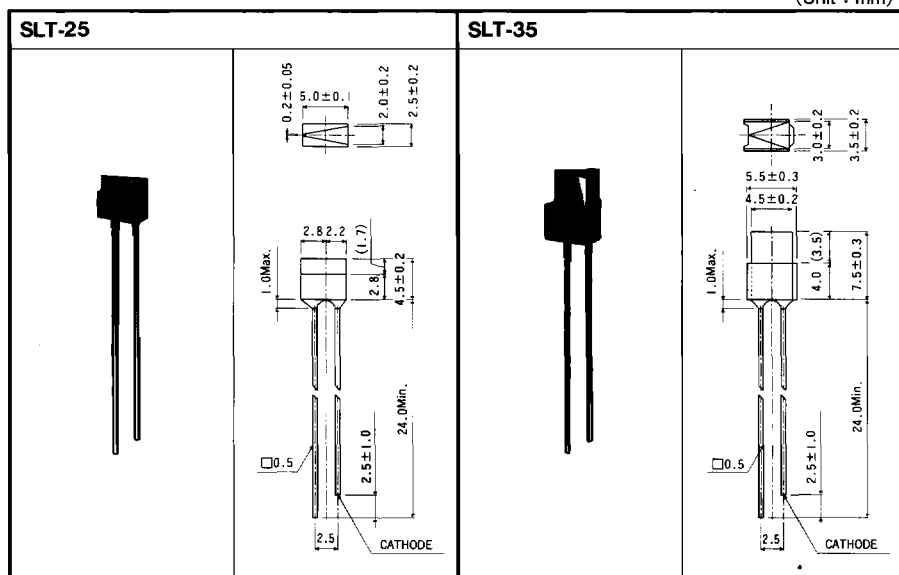
## High luminance LED lamps

### ● Triangular types (SLT)

Type	Emitter surface size (mm)	Series name	Lens	Emitting color Emitting material λ p (nm)	Red		Amber	Orange	Yellow	Green	Pure Green	Basic ordering unit	Quantity /package	Quantity /bag	Rank
					GaAlAs	GaAsP on GaP	GaAsP on GaP	GaAsP on GaP	GaAsP on GaP	GaP	GaP				
Triangular types	2×5	SLT-25	Transparent clear		660	650						1,000	1,000	100	○
			Colored clear												
			Colored diffused		VR		DU	YY	MG						
			Milky white												
	3×4.5	SLT-35	Transparent clear									1,000	1,000	100	○
			Colored clear												
			Colored diffused		VR	UR	DU	YY	MG						
			Milky white		VW		DW	YW	MW						

○ : Semi-standard products

(Unit : mm)



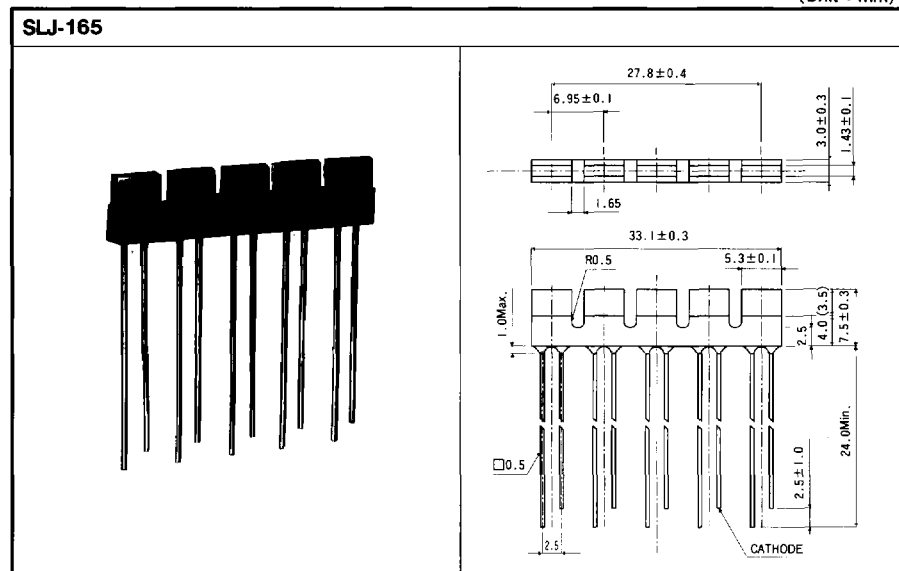
### ● Multiple type (SLJ)

Type	Emitter surface size (mm)	Series name	Lens	Emitting color Emitting material λ p (nm)	Red		Amber	Orange	Yellow	Green	Pure Green	Basic ordering unit	Quantity /package	Quantity /bag	Rank
					GaAlAs	GaAsP on GaP	GaAsP on GaP	GaAsP on GaP	GaAsP on GaP	GaP	GaP				
Multiple type	1.4×5.3×5	SLJ-165	Transparent clear		660	650						1,000	200	20	○
			Colored clear												
			Colored diffused		VRD*3	URD*3	DUD*3	YYD*3	MGD*3						
			Milky white												

Note : \*3 Need a certain lead time for delivery.

○ : Semi-standard products

(Unit : mm)


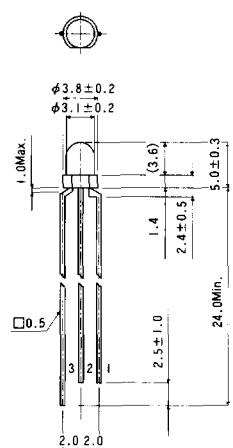

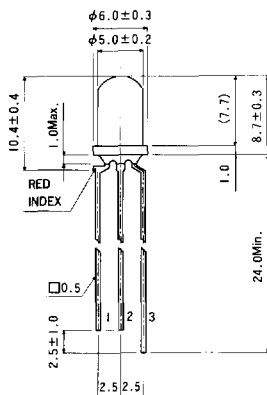

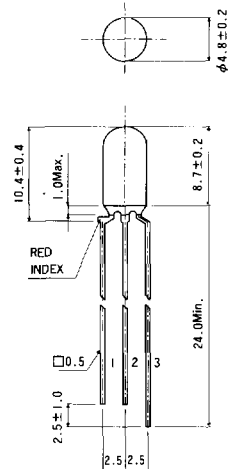

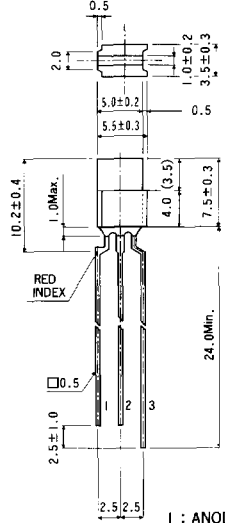


●Two-chip LEDs (SPR · SPB)

Type	Emitter surface size (mm)	Lens	Part No.	Emitting color	Emitting material	$\lambda_p$ (nm)	Basic ordering unit	Quantity /package	Quantity /bag	Rank
Two-chip light emission	$\phi 3.1$	Milky white	SPR-39MVW	Red	GaAsP on GaP	650	1,000	1,000	100	○
				Green	GaP	563				
	$\phi 5$	Milky white	SPR-54MVW	Red	GaAsP on GaP	650	1,000	1,000	100	○
				Green	GaP	563				
	$\phi 4.8$	Milky white	SPR-57MVW	Red	GaAsP on GaP	650	1,000	1,000	100	○
				Green	GaP	563				
	1 × 5	Milky white	SPB-15MVW	Red	GaAsP on GaP	650	1,000	1,000	100	○
				Green	GaP	563				
	2 × 5	Milky white	SPB-25MVW	Red	GaAsP on GaP	650	1,000	1,000	100	○
				Green	GaP	563				
	1.9 × 4.9	Milky white	SPB-26MVW	Red	GaAsP on GaP	650	1,000	1,000	100	○
				Green	GaP	563				
2 × 2	Milky white	SPB-221MVW/PVW	Red	GaAsP on GaP	650	1,000	1,000	100	○	
			Green / Pure Green	GaP	563 / 555					

○ : Semi-standard products

(Unit : mm)

<p><b>SPR-39MVW</b></p>   <p>1 : ANODE RED 2 : CATHODE 3 : ANODE GREEN</p>	<p><b>SPR-54MVW</b></p>   <p>1 : ANODE RED 2 : CATHODE 3 : ANODE GREEN</p>
<p><b>SPR-57MVW</b></p>   <p>1 : ANODE RED 2 : CATHODE 3 : ANODE GREEN</p>	<p><b>SPB-15MVW</b></p>   <p>1 : ANODE RED 2 : CATHODE 3 : ANODE GREEN</p>

LED Indicator Lamps

LED

Product Designation

Page 226

Taping Condition

Page 235

Taping specifications


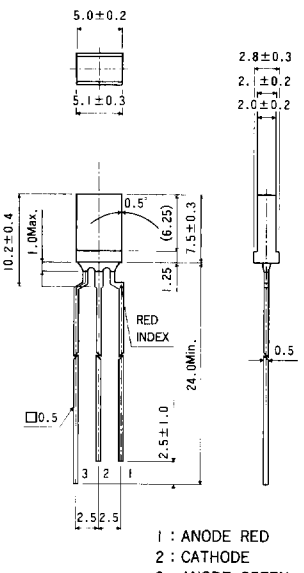

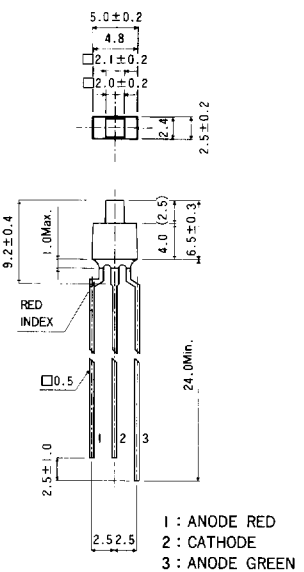
Page 235

# LED Indicator Lamps (SPB)

## High luminance LED lamps

● Two-chip LEDs (SPB)

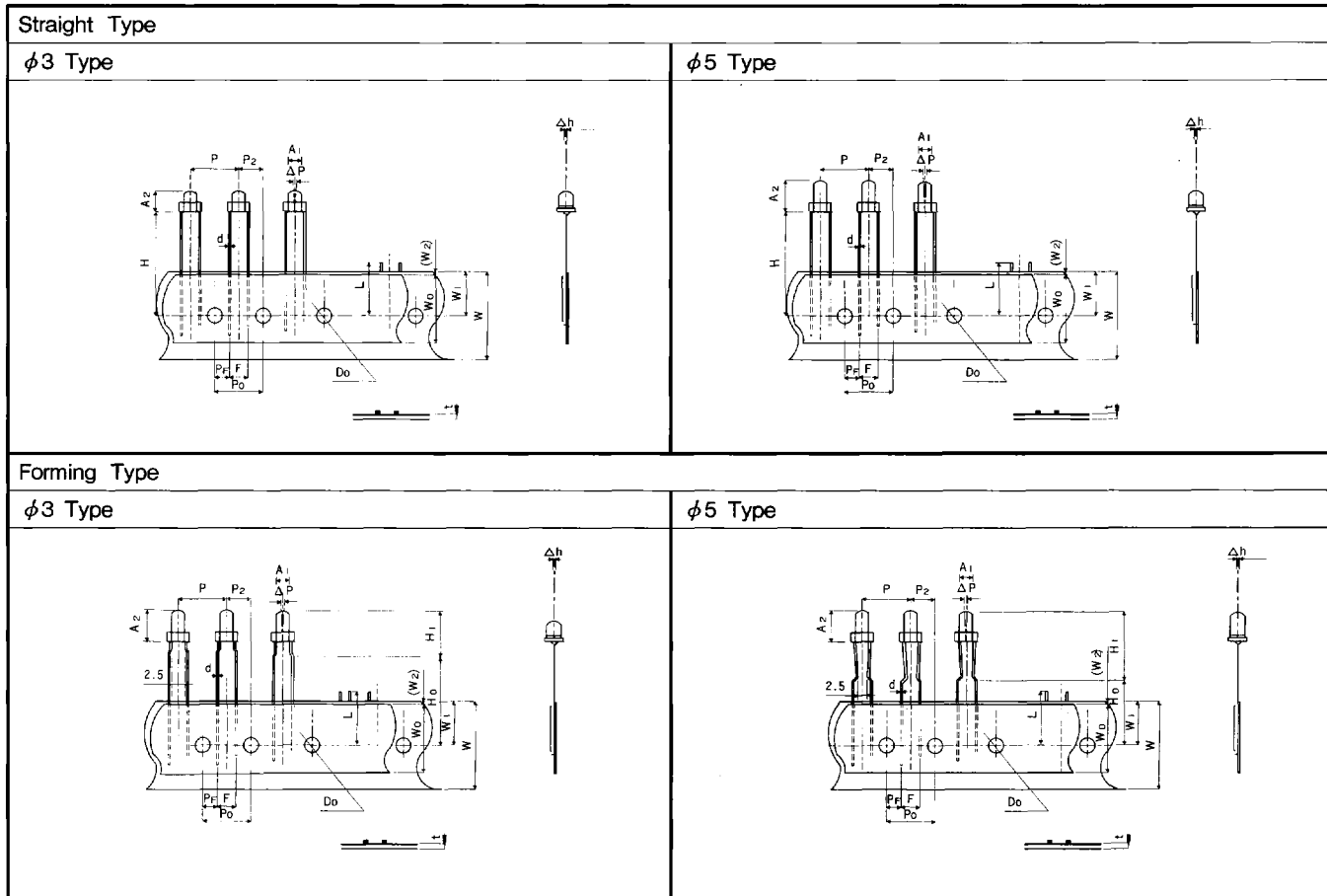
(Unit : mm)

SPB-25MVW	SPB-26MVW
	 <p>1 : ANODE RED 2 : CATHODE 3 : ANODE GREEN</p>
SPB-221MVW SPB-221PVW	
	 <p>1 : ANODE RED 2 : CATHODE 3 : ANODE GREEN</p>

## ●Taping condition

Applicable types	Quantity / Package (pcs)
SLA-580	2,000
SLB-25/55	
SLR-320/37/40/54/55/56	

## ●Taping specifications



(Unit : mm)

Item	Symbol	Straight Lead		Formed lead		Remarks
		φ3 Type	φ5 Type	φ3 Type	φ5 Type	
Luminous emitting surface	A <sub>1</sub>	φ3.1±0.2	φ5.0±0.2	φ3.1±0.2	φ5.0±0.2	Dimensions vary with type
Body length	A <sub>2</sub>	5.2±0.3	8.7±0.3	5.2±0.3	8.7±0.3	
Inter-unit pitch	P	12.7±1.0		12.7±1.0		
Feed hole pitch	P <sub>0</sub>	12.7±0.3		12.7±0.3		
Feed hole position (1)	P <sub>2</sub>	6.35±0.4		6.35±0.4		
Accumulated feed hole pitch error	P <sub>20</sub>	1.0Max.		1.0Max.		As per 20 holes
Lead diameter	d	□0.5±0.1		□0.5±0.1		Not including burrs
Lead-to-lead distance	F	2.5±0.8		5.0±0.8		
Lead clinch height	H <sub>0</sub>	—		16.0±0.5		
Clinch angle	θ	—		0±15°		
Unit height	H/H <sub>1</sub>	※		※		
Base tape width	W	18.0		18.0		
Top film width	W <sub>0</sub>	13.0±0.3		13.0±0.3		
Feed hole position (2)	W <sub>1</sub>	9.0±0.5		9.0±0.5		
Top film position	W <sub>2</sub>	0~0.5		0~0.5		
Base tape thickness	t	0.7±0.2		0.7±0.2		
Unit tilt (1)	Δh	0±1.0		0±1.0		
Unit tilt (2)	ΔP	0±0.5		0±0.5		
Defective unit cutoff position	L	11.0Max.		11.0Max.		
Frame position	P <sub>F</sub>	5.1±0.8		3.85±0.8		
Feed hole diameter	D <sub>0</sub>	φ4.0±0.2		φ4.0±0.2		

Note : ※See dimension of each product