

Operation: 垫高型卧式 & 2.0Type-C 连接器/16PIN+4DIP



LTEM NO.: MC-311H-40 (M2: MOLDING)

(8.0L×9.5W×7.5H & DUL SMT LOW PCB TYPE)

C-Universal Serial Bus Connectors



Technical parameter

外焊 SMT+DIP

PROJECT	LEVEL	A[better product]	B[average product]
		Contact Rating	3A, 12V DC
Electrical Properties	Initial Contact Resistance	30mΩ max.	50mΩ max.
	Insulation Resistance	100MΩ min.500V DC	Skey/PD: 100MΩ min.300V DC
	Withstand Voltage	350V AC for 1 minute	250 V AC for 1 minut
Durable Performance	There No Load	10,000 Cycles	8,500 Cycles
	Rated Load	8,500 Cycles	6,500 Cycles
	Storage temp.	-25℃~+75℃(Operating Temp:)	

側向導入 LATERAL

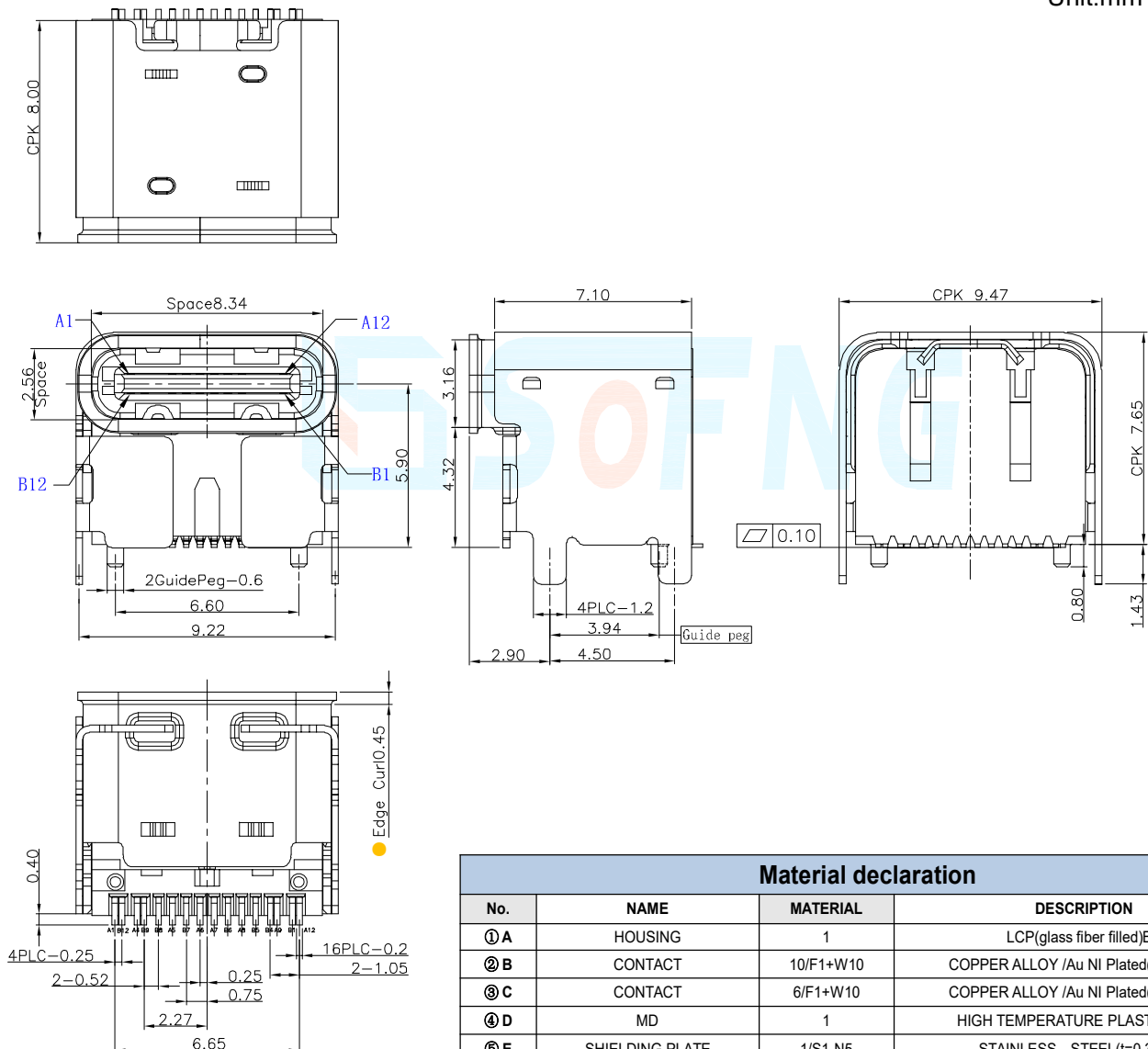
精密部品 NICETY

可靠 STABILIZE

環保材質 RoHS

Unit:mm

Page1



Material declaration

No.	NAME	MATERIAL	DESCRIPTION
① A	HOUSING	1	LCP(glass fiber filled)BK
② B	CONTACT	10/F1+W10	COPPER ALLOY /Au Ni Plated(t=0.12mm)
③ C	CONTACT	6/F1+W10	COPPER ALLOY /Au Ni Plated(t=0.12mm)
④ D	MD	1	HIGH TEMPERATURE PLASTIC(Black)
⑤ E	SHIELDING PLATE	1/S1-N5	STAINLESS STEEL(t=0.30mm)
⑥ F	SHIELD	1/S1+N5	STAINLESS STEEL(t=0.30mm)

Operating Force

Inward
Exiting

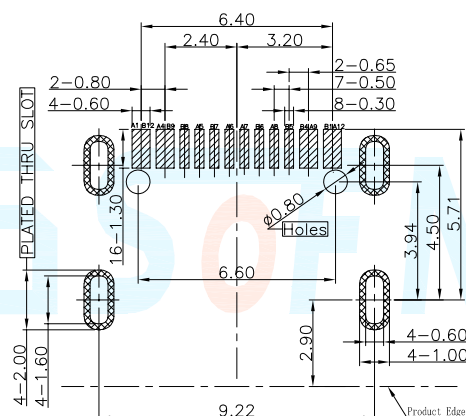
8.0~12.0N. (1N.=100gram-force)

8.0~12.0N. (1N.=100gram-force)

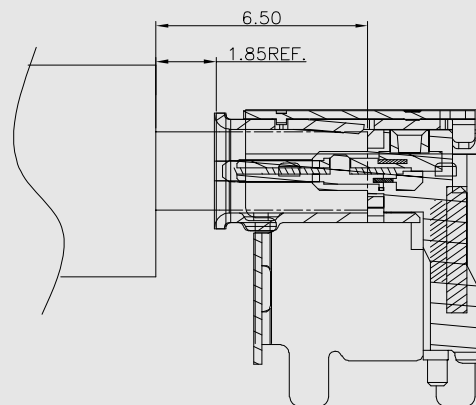
Solder-ability (Max.)

IR Reflow:255°C, 5sec.

Manual:350°C, 3sec.



TYPE C HEAD



MATED POSITION

PIN ASSIGNMENTS

PIN	Signal NAME	Description	PIN	Signal NAME	Description
A 1	GND	Ground return	B12	GND	
A 4	V BUS	Bus Power	B 9	V BUS	Bus Power
A 5	CC1	Configuration Channel	B 8	SBU2	Sideband Use(SBU)
A 6	Dp1	Positive half of the USB 2.0 differential pair-Position 1	B 7	Dn2	Negative half of the USB 2.0 differential pair-Position 2
A 7	Dn1	Negative half of the USB 2.0 differential pair-Position 1	B 6	Dp2	Positive half of the USB 2.0 differential pair-Position 2
A 8	SBU1	Sideband Use(SBU)	B 5	CC2	Configuration Channel
A 9	V BUS	Bus Power	B 4	V BUS	Bus Power
A12	GND	Ground return	B 1	GND	Ground return

注記 NOTICE

1. 碩方公司擁有最終解釋權；The SOFNG company reserves the right of final interpretation;
2. 文件禁止外洩、轉載；Leaked and reproduced prohibited;
3. 未經授權修改無效。Modify is invalid.