

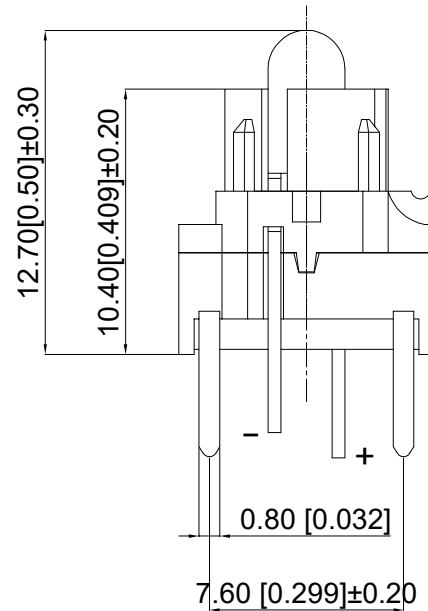
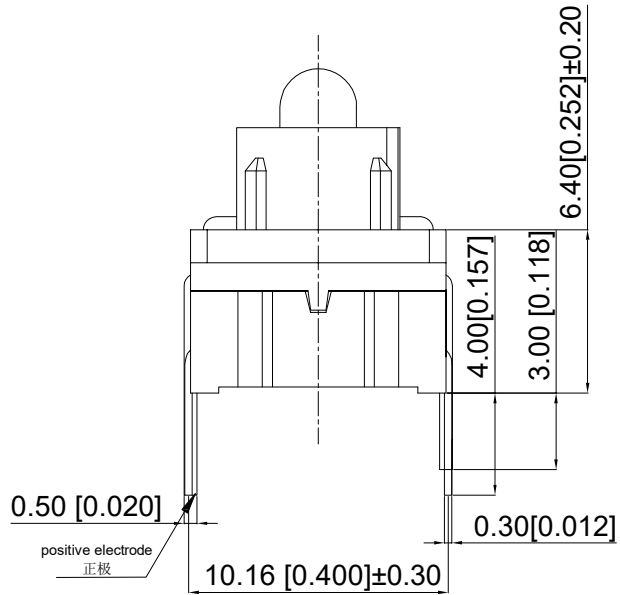
CIRCUIT

PCB LAYOUT

Technical parameter

技术参数
 Rated value: DC24V 50mA
 额定值: DC24V 50mA
 Contact resistance: ≤ 50mΩ
 接触电阻: ≤50mΩ
 Insulation resistance: ≥ 10MΩ
 绝缘电阻: ≥10MΩ
 Operating temperature: - 40 °C ~ + 160 °C
 使用温度: -40°C~160°C

Action force: 300 ± 50gf
 动作力: 300±50gf
 Stroke: 1.00 ± 0.2
 行程: 1.00±0.2
 Waterproof grade: IP67
 防水等级: IP67
 Service life: ≥1,000,000
 寿命: ≥1,000,000



HOUSE 底座	Nylon 尼龙	Black 黑色
ACTUATOR 按钮	Nylon 尼龙	White 白色
COVER 上盖	Nylon 尼龙	Black 黑色
CONTACT 簧片	STAINLESS STEEL 不锈钢	SLIVER PLATING 镀银
TERMINAL 端子	COPPER ALLOY 铜合金	
LED		Red 红色
Name 名称	Texture of material 材质	Remarks 备注

A4				
A3				
A2				
A1				
REV	DATE	REVISION	DESCRIPTION	ISSUE



COMMON TOLERANCE

X.XX	± 0.10
X.X	± 0.15
X	± 0.25
ANGULAR	—

UNIT	MM	PROJECTED		PRODUCT NAME:
DRAWN BY	FUYUAN	CHECKED BY	COCO	MODEL NO: TP18021301040
DATE	2019	APPROVAL B	ALEN	Https: www.rocpcu.tw
ROCPCU TECHNOLOGY CO.,LTD				
Copies are issued in strict confidence and shall not be reproduced or copied, or used as the basis of manufacture or sale of apparatus without permission				