

A

B

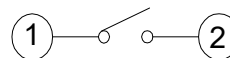
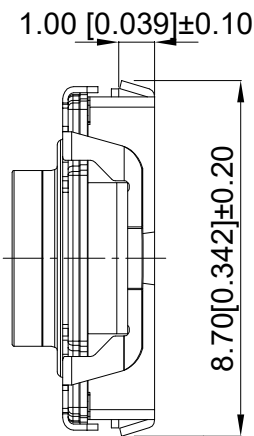
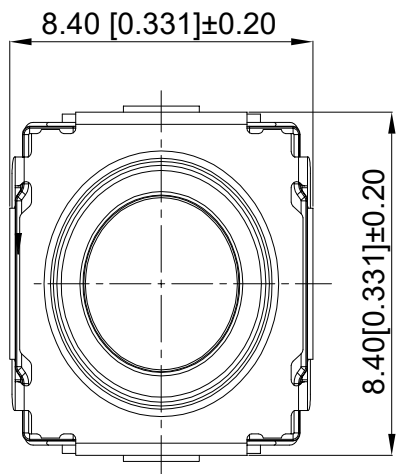
C

D

E

F

G

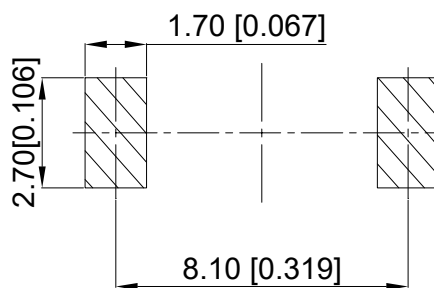
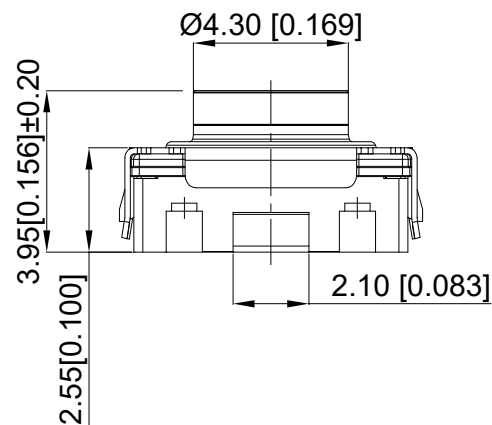


CIRCUITDIAGRAM

## SPECIFICATION

规格

- 1.Rating: DC16V 50mA MAX
- 1.额定值: DC16V 50mA MAX
- 2.Contact resistance:100mΩ MAX
- 2.接触电阻: 100mΩ MAX
- 3.Insulation resistance:100MΩ Min,100V DC
- 3.绝缘电阻: 100MΩMin,100V DC
- 4.Dielectric strength:250VAC
- 4.介电强度: 250VAC
- 5.Operating temperature range:-40℃ to + 90℃
- 5.工作温度范围: -40℃至 + 90℃
- 6.Operating force:400±80gf
- 6.操作力: 400±80gf
- 7.Operating life:500,000 cycles
- 7.使用寿命: 500000次循环
- 8.Travel: 0.9±0.2mm
- 8.行程: 0.9±0.2mm
- Waterproof grade: IP67
- 9.防水等级: IP67



PCB LAND DIMENSION

5	Terminal 端子	Brass 黄铜	1	Ag plating 镀银
4	Base 基座	LCP	1	Black 黑色
3	Contact 弹片	SUS	1	Ag plating 镀银
2	Stem 按钮	Silicone 硅胶	1	Green 绿色
1	Cover 盖板	SUS	1	
NO 序号	Part name 部件名	Material 材料	QTY 数量	Remark 备注

A4				
A3				
A2				
A1				
REV	DATE	REVISION	DESCRIPTION	ISSUE



## COMMON TOLERANCE

X.XX	± 0.10
X.X	± 0.15
X	± 0.25
ANGULAR	—

UNIT

MM

PROJECTED



PRODUCT NAME:

DRAWN BY FUYUAN

CHECKED BY

COCO

MODEL NO: TP1602340395

DATE

2019

APPROVAL B

ALEN

Https: www.rocpu.tw

ROCPU TECHNOLOGY CO.,LTD

Copies are issued in strict confidence and shall not be reproduced or copied, or used as the basis of manufacture or sale of apparatus without permission