

GT-TC054X-HXXX-LX

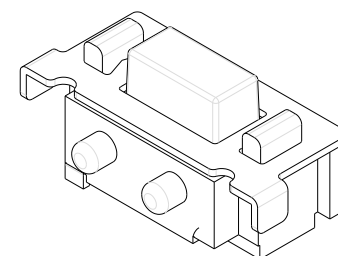
G-SWITCH

Operating Force

- A=160gf
- B=250gf
- C=130gf

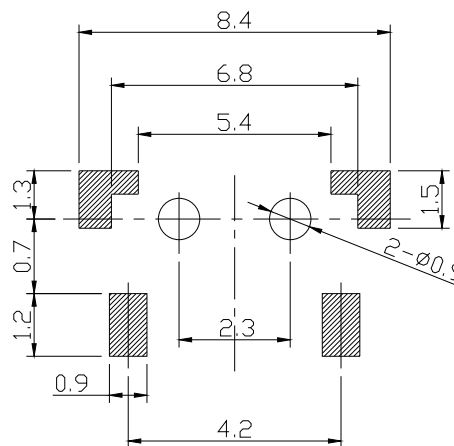
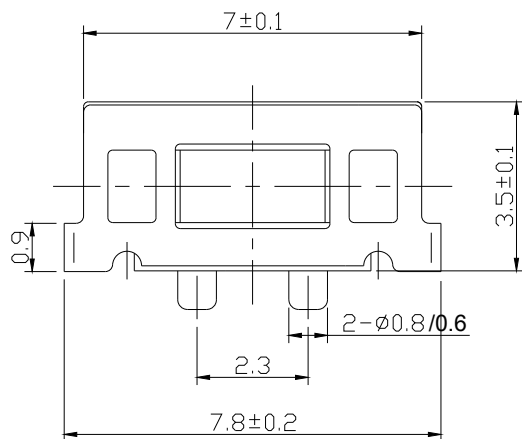
Switch Height (mm)
H035=3.5mm

Switch lifetime (Force)
L05=50,000 Cycles(B)
L1=100,000 Cycles(A, C)

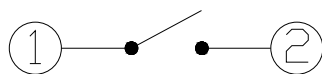


G-Switch Specification:

Operating temperature range -30 to +85
 Rating 50mA.12V DC
 Insulation resistance: 100MΩ min.100V DC
 Dielectric strength 250V AC for 1 min
 Contact resistance: 100m Ω max.
 Travel:0.25±0.1mm



P.C.B LAND DIMENSION



CIRCUIT DIAGRAM



G-Switch Electronic (HongKong) CO.,Ltd.

Unless otherwise specified, Tolerance:
 X. ±0.30
 X.x ±0.20
 X.xx ±0.15
 X.xxx ±0.10
 Angles ±3°

DESIGN FengFengChen	DATE 2019.05.29
CHECKED	DATE
APPROVED	DATE
http://www.dg-switch.com	
TEL:0769-82388879	

Molde code: GT-TC054X-HXXX-LX		
REV.: X1	SCALE: 4:1	UNIT: mm
SIZE: A4	SHEET: 1/1	