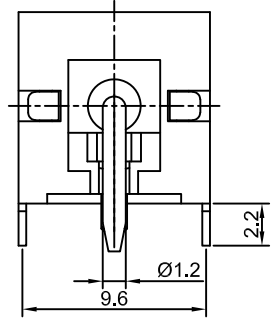
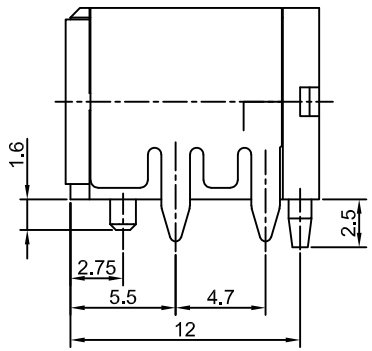
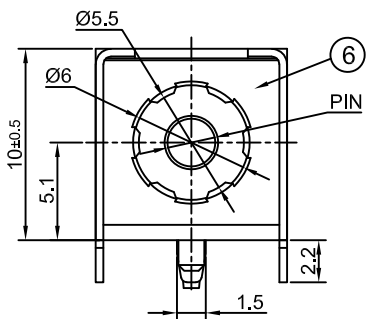


DC-044B-DXXX

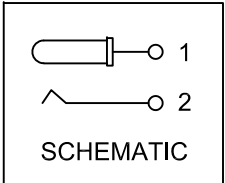
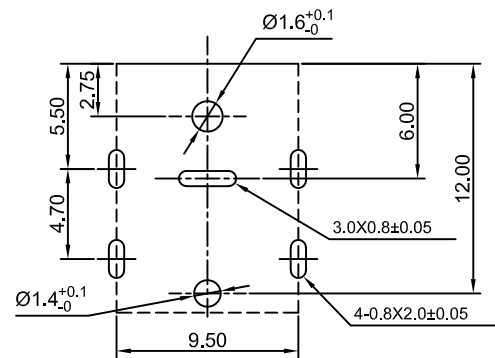
DC Power jack

G-Switch P/N:

D:needle diameter
D020=2.0mm
D025=2.5mm



ELECTRICAL
VOLTAGE RATING:20V DC (R.M.S)
CURRENT RATING:10A
CONTACT RESISTANCE:30mΩ MAX.
INSULATION RESISTANCE:100 MΩ MIN.
DIELECTRIC WITHSTAND VOLTAGE:500V AC (R.A.M)
TEMPERATURE RANGE:-40°C TO +85°C
MATERIALS & PLATING: SEE THE TABLE BELOW.



PCB MOUNTING HOLES
BOTTOM VIEW
(TOLERANCE:±0.05)



6	GROUND	1	STAINLESS STEEL:	
5	SHELL	1	IRON; NICKEL PLATING OVERALL	T=0.2mm
4	TERMINAL	1	STAINLESS STEEL:	T=0.2mm
3	PIN	1	BRASS; SILVER PLATING OVERALL	T=0.2mm
2	SORING	1	COPPER ALLOY; CU-SN PLATING OVERALL	T=0.2mm
1	HOUSING	1	PART COLOR BLACK	
ITEM	NAME	QTY	DESCRIPTION	NOTE



G-Switch Electronic (HongKong) CO.,Ltd.

Unless otherwise specified, Tolerance: X. ±0.30 X.x ±0.20 X.xx ±0.15 X.xxx ±0.10 Angles ±3°	DESIGN LI Qingqi	DATE 2022.03.15	Molde code:	
	CHECKED	DATE	DC-044B-DXXX	
	APPROVED	DATE	REV.: X1	SCALE: 4:1
	http://www.dg-switch.com		UNIT: mm	
	TEL:0769-82388879		SIZE: A4	SHEET: 1/1

