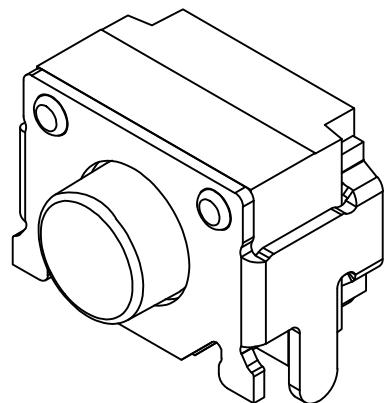
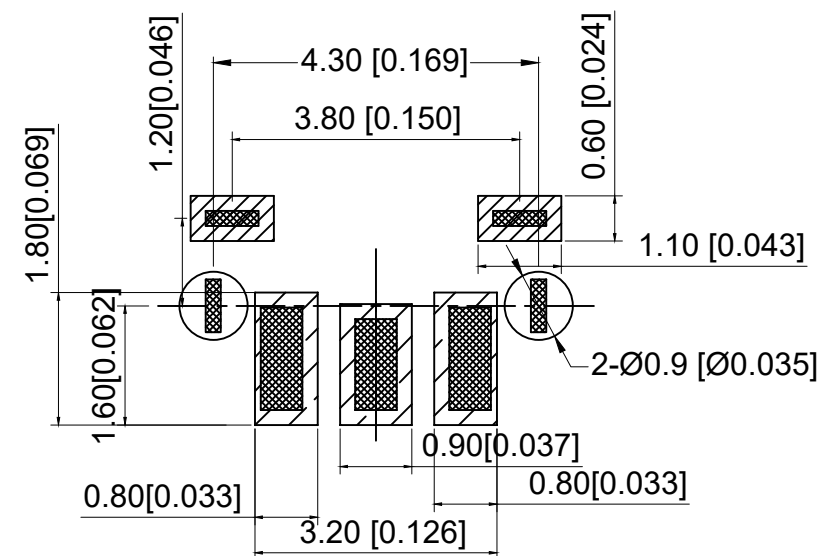
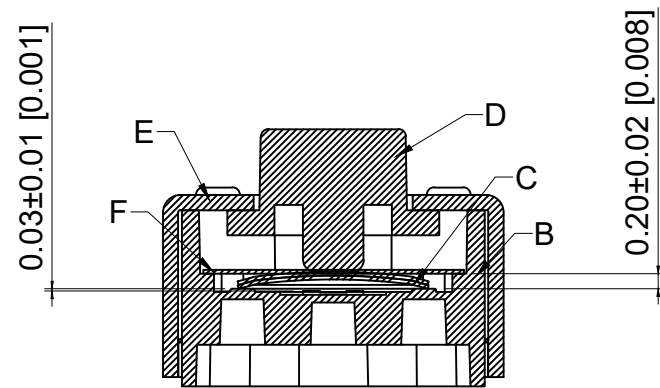
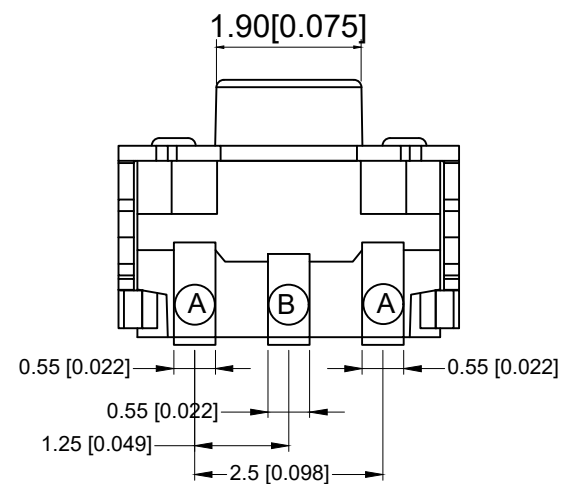
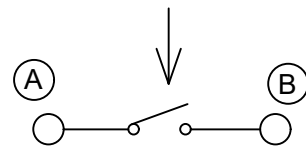


Main Specifications
 主要技术指标
 Climate grade: -30°C~70°C
 气候等级: -30°C~70°C
 Rated values: 0.5A/12V
 额定值: 0.5A/12V
 Contact resistance: ≤50mΩ
 接触电阻: ≤50mΩ
 Dielectric strength: 250V,AC,1Min

耐压: 250V,AC,1Min
 Insulation resistance: ≥100MΩ
 绝缘电阻: ≥100MΩ
 Operating force: 260±50g
 操作力: 260±50g
 Travel: 0.20±0.05
 行程: 0.20±0.05
 Life: 200,000 times
 寿命: 200,000 times



Circuit Diagram



6	Yellow membrane 黄膜	PI	1	yellow 黄色
5	Cover plate 盖板	Phosphor copper 磷铜	1	silver 镀银
4	Plastic button 按钮	PA	1	white 白色
3	Shrapnel 弹片	SUS 不锈钢	1	silver 单面镀银
2	Plastic base 塑胶底座	LCP	1	BLACK 黑色
1	Pin 引脚	Phosphor copper 磷铜	1	silver 镀银
ITEM	Name	Materials	NUM	COLOR

A4			
A3			
A2			
A1			
REV	DATE	REVISION DESCRIPTION	ISSUE

COMMON TOLERANCE	
X.XX	± 0.10
X.X	± 0.15
X	± 0.25
ANGULAR	—

UNIT	MM	PROJECTED	
DRAWN BY	FUYUAN	CHECKED BY	COCO
DATE	2019	APPROVAL B	ALEN

PRODUCT NAME:
 MODEL NO: TP10122634
 Https: www.rocpu.tw

ROCPU TECHNOLOGY CO.,LTD

Copies are issued in strict confidence and shall not be reproduced or copied, or used as the basic of manufacture or sale of apparatus without permission