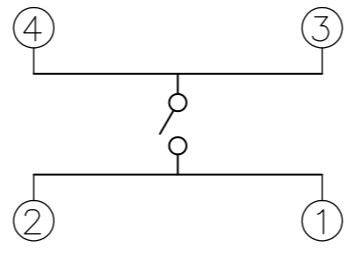
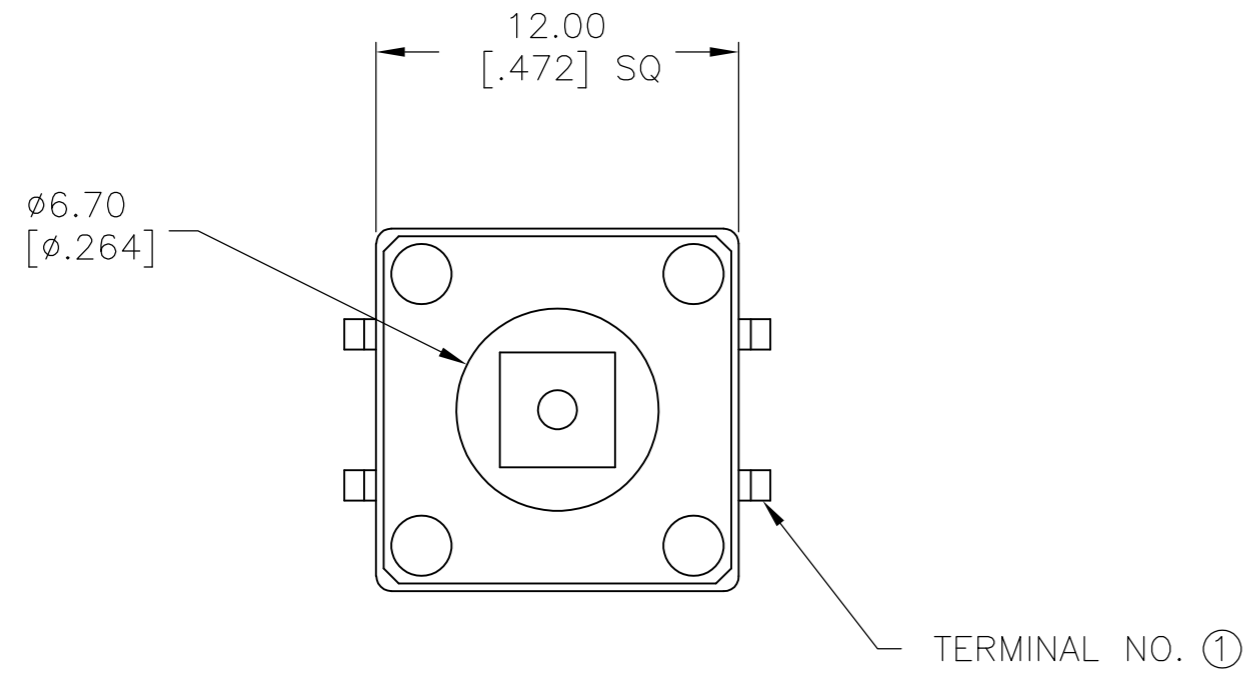


THIS DRAWING IS UNPUBLISHED. RELEASED FOR PUBLICATION 1437565-5, 1437565-5  
 © COPYRIGHT 1437565-5 ALL RIGHTS RESERVED.

LOC	DIST	REVISIONS			
P	LTR	DESCRIPTION	DATE	DWN	APVD
AD	00	E2 REVISED PER ECO-11-004587	11MAR11	RK	HMR



CIRCUIT DIAGRAM

NOTE: TERMINAL NUMBERS ARE FOR REFERENCE ONLY AND DO NOT APPEAR ON SWITCHES.

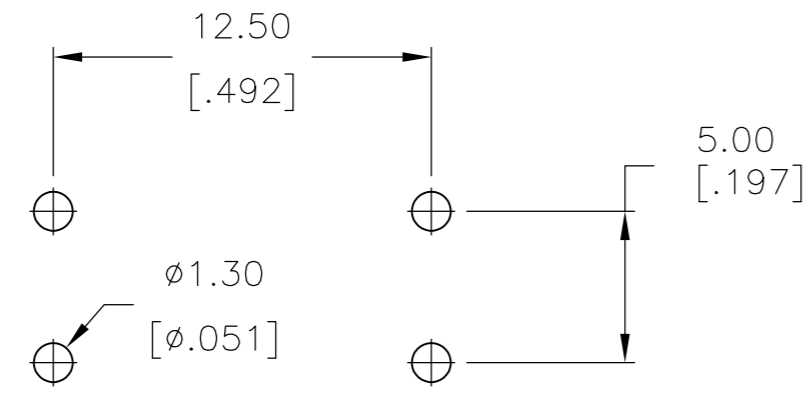
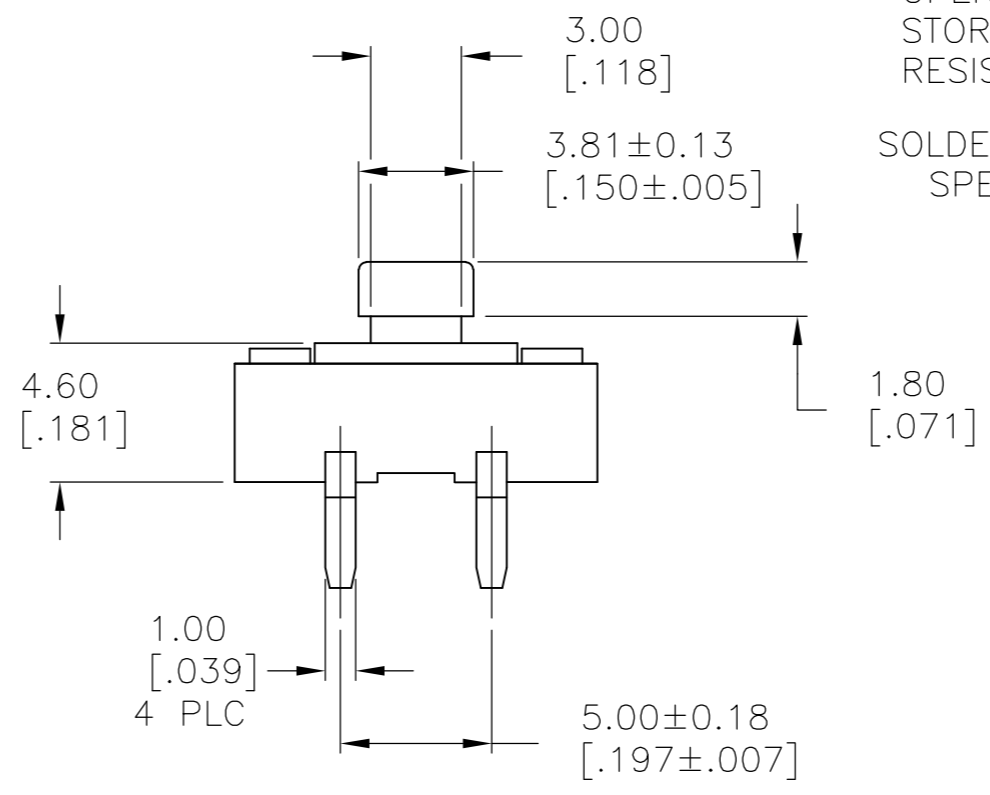
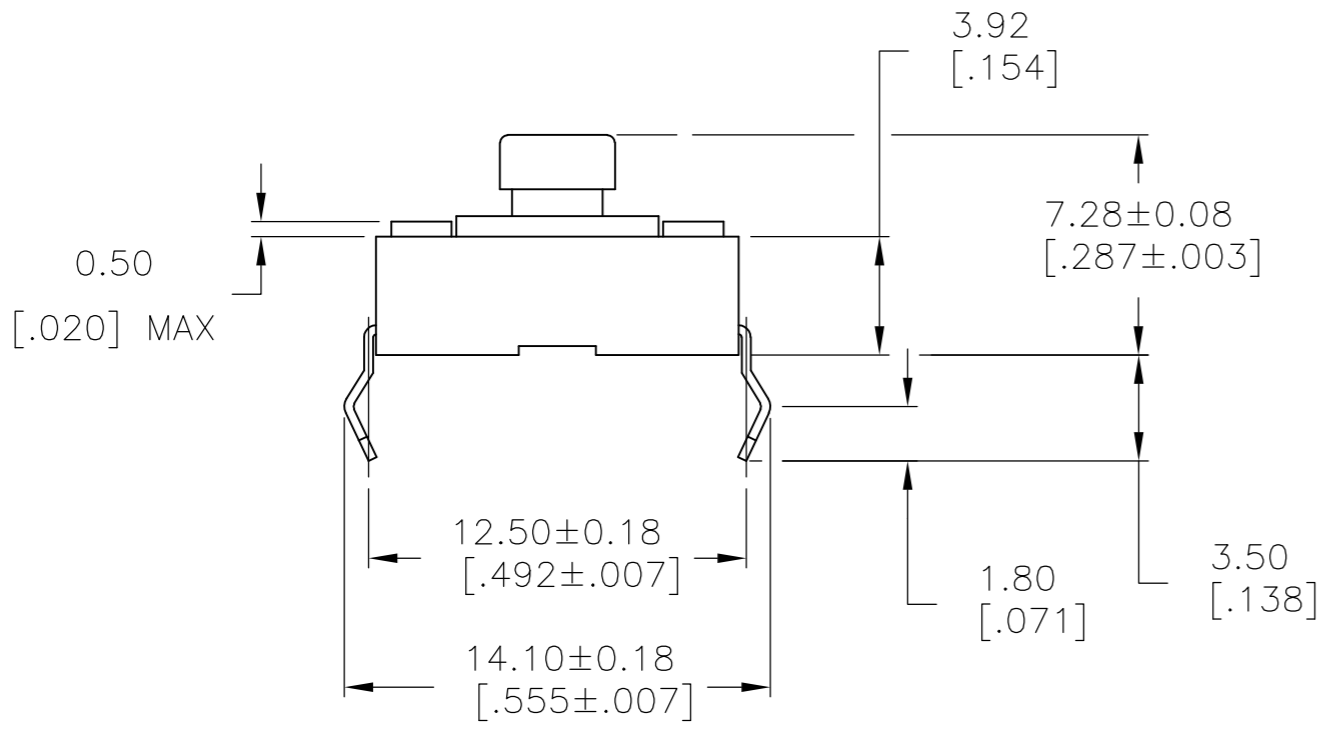
**SPECIFICATIONS:**

**MATERIALS:**  
 CASE: PBT G30, 94HB, BLACK.  
 COVER: PET FILM.  
 ACTUATOR BUTTON: ACETAL, BLACK.  
 MOVING CONTACT: PHOS.BRONZE, SILVER CLAD.  
 FIXED CONTACT/TERMINAL: BRASS. SILVER PLATE.

**ELECTRICAL:**  
 MAX CONTACT RATING: 50MILLIAMPS@24V DC  
 MIN CONTACT RATING: 10MICROAMPS@1V DC  
 CONTACT RESISTANCE: 100 MILLIOHMS MAX.  
 INSULATION RESISTANCE: 100 MEGOHMS MIN. @ 100 VDC.  
 DIELECTRIC STRENGTH: 500 VAC  
 LIFE EXPECTANCY: 100,000 CYCLES MIN.  
**MECHANICAL:**  
 ACTUATION FORCE: 160 ±30 GRAMS.  
 ACTUATION TRAVEL: 0.30mm (.012 in.) APPROX.

**ENVIRONMENTAL:**  
 OPERATING TEMPERATURE: -35°C TO +85°C.  
 STORAGE TEMPERATURE: -35°C TO +85°C.  
 RESISTANCE TO SOLDER HEAT PER 109-202, COND B 265°C FOR 10 SECONDS

**SOLDERABILITY:**  
 SPECIFICATION EIA-364-52, CLASS II, CATEGORY 1



RECOMMENDED HOLE LAYOUT  
 TOLERANCE ±.002 UNLESS OTHERWISE NOTED

260±50g	RED	FSM103A	1571627-1
160±50g	BLACK	FSM103	1437565-5
ACTUATOR FORCE	ACTUATOR COLOR	FORMER T&B PART NUMBER	PART NUMBER

THIS DRAWING IS A CONTROLLED DOCUMENT.		DWN R BROWN 12FEB04																					
DIMENSIONS: mm [INCHES]		CHK M SARVER 12FEB04																					
TOLERANCES UNLESS OTHERWISE SPECIFIED:		APVD M SARVER 12FEB04																					
<table border="1"> <tr><td>0 PLC</td><td>±</td><td>-</td></tr> <tr><td>1 PLC</td><td>±</td><td>-</td></tr> <tr><td>2 PLC</td><td>±</td><td>0.30[.012]</td></tr> <tr><td>3 PLC</td><td>±</td><td>-</td></tr> <tr><td>4 PLC</td><td>±</td><td>-</td></tr> <tr><td>ANGLES</td><td>±</td><td>-</td></tr> <tr><td>FINISH</td><td>±</td><td>-</td></tr> </table>		0 PLC			±	-	1 PLC	±	-	2 PLC	±	0.30[.012]	3 PLC	±	-	4 PLC	±	-	ANGLES	±	-	FINISH	±
0 PLC	±	-																					
1 PLC	±	-																					
2 PLC	±	0.30[.012]																					
3 PLC	±	-																					
4 PLC	±	-																					
ANGLES	±	-																					
FINISH	±	-																					
MATERIAL	FINISH	PRODUCT SPEC	APPLICATION SPEC	SIZE A2	CAGE CODE -	DRAWING NO. 1437565-5	RESTRICTED TO -																
		WEIGHT -	CUSTOMER DRAWING	SCALE 4:1	SHEET 1 of 1	REV E2																	