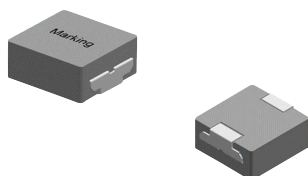


MDA HT Series

SMD Low Profile High Current Molded Inductor

Size 1054



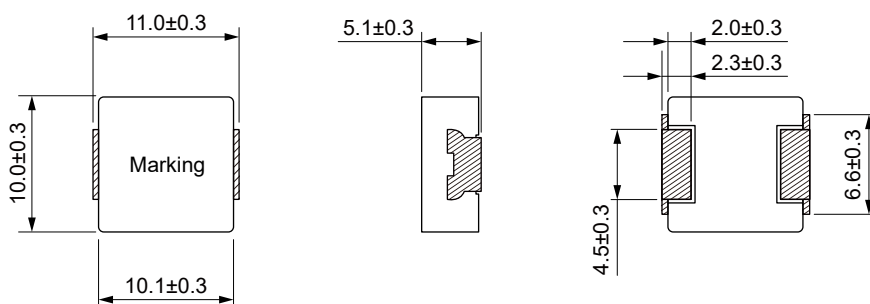
FEATURES

- Low loss realized with low DCR.
- Ultra low buzz noise, due to composite construction .
- 100% Lead(Pb)-Free and RoHS compliant.
- High performance (Isat) realized by metal dust core.
- AEC-Q200 qualified.
- Operating temperature: -55 to +165 °C (including self-temperature rise)
- Quantity: 500PCS

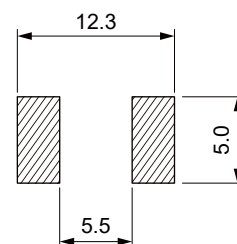
APPLICATION

- Headlamps, tail lamps and interior lighting
- HVAC
- Doors, window lift and seat control
- Audio subsystem
- Digital instrument cluster
- In-Vehicle Infotainment and navigation

Dimensions: [mm]



Land Pattern: [mm]



Electrical Properties:

| Part No | Inductance @ 100KHz/1V (μH) | Tolerance | Temperature Rise Current Typ. (A) | Saturation Current Typ. (A) | DC Resistance Typ. (mΩ) | DC Resistance Max. (mΩ) |
|----------------|-----------------------------|-----------|-----------------------------------|-----------------------------|-------------------------|-------------------------|
| MDA1054HT-1R5M | 1.50 | ±20% | 25.0 | 27.0 | 3.60 | 4.20 |

Saturation Current will cause L to drop approximately 30%.

Temperature Rise Current: The actual value of DC current when the temperature rise is $\Delta T=40^{\circ}\text{C}$