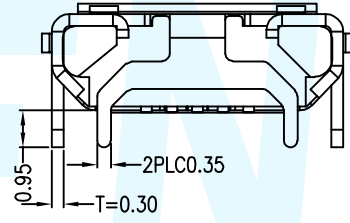
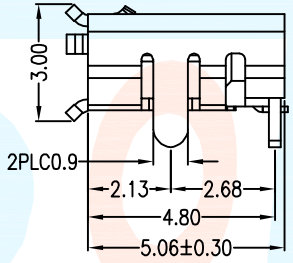
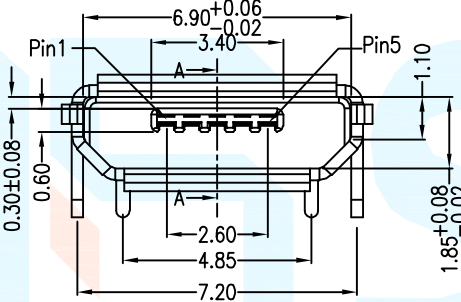
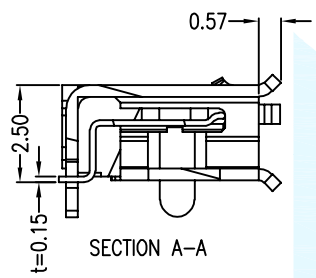
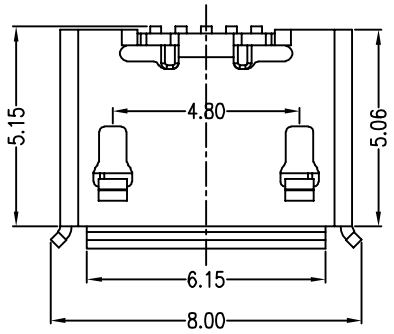
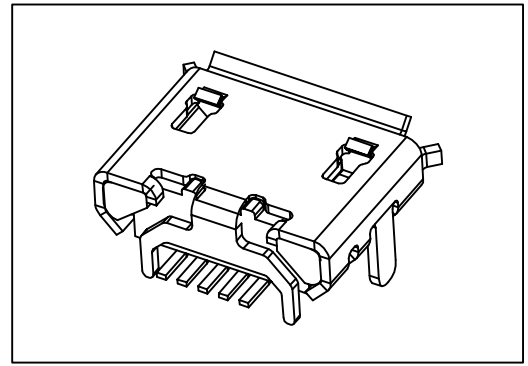
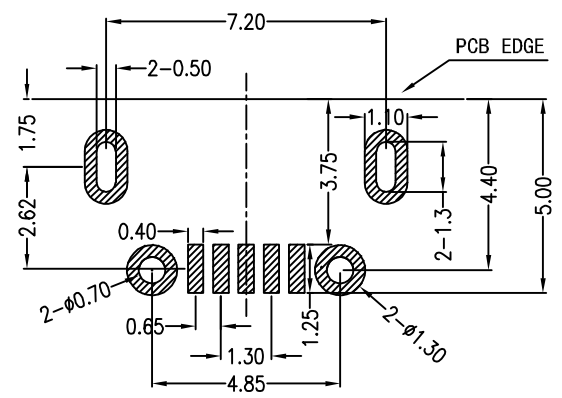
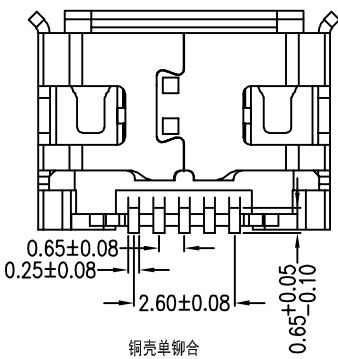
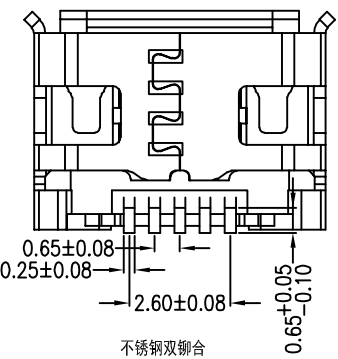


REVISION			
LTR	DESCRIPTION	DATE	APP
AO	NEW RELEASE	09/29/2021	PECK




Note:

1. Material:
  - 1.1 Housing: High temperature thermoplastic with g.f,UL94v-0
  - 1.2 Contact: copper alloy, t=0.15mm
  - 1.3 Shell: copper alloy or sus, t=0.30mm
2. Specification:
  - 2.1 Current rating: 1.5PIN 1.8A Max/2,3,4PIN 1A Max.
  - 2.2 Dielectric withstanding voltage: 100 V(ac) for 1 min.
  - 2.3 Contact resistance: 30 mΩ Max.
  - 2.4 Insulation resistance: 100 MΩ Min.
  - 2.5 Total mating force: 3.57 Kgf Max.
  - 2.6 Total unmating force: 1.0 Kgf Min.
  - 2.7 Temperature range: -30°C~80°C



P.C.B LAYOUT

DIMENSION CLASSIFICATION		台灣碩方精密電子科技有限公司 TAIWAN SOFNG PRECISION ELECTRONIC CO., LTD			
■ : CRITICAL ☒ : MAJOR		TITLE		MC-114IR-7248 DIP牛角型MICRO USB插座	
TOLERANCE TABLE		PART NO.		SERIES	
.X	± 0.40	SOF-G006		SD106	
.XX	± 0.25	APPROVED	Peck	DWG NO.	MC-114IR-7248
.XXX	± 0.10	CHECKED	Paul	SCALE 1:1	UNIT mm SIZE A4
ANGLE	± 2°	DRAWIN	David	REV AO	SHEET NO. 1/1