

CONNECTORS

Operation: 前 DIP 后 SMT 板上/导边&卧式 (5PIN) MICRO-USB 连接器



LTEM NO.: MC-107C-D59 (Series)

(L5.25×W7.40×H2.4 MICRO-USB CONNECTORS)



表面贴装 SMT

側向操作

精密部品 NICETY

可靠 STABILIZE

適合環保 RoHS

Technical parameter

PROJECT	LEVEL	A[better product]	B[average product]
	Contact Rating	0.5A, 24V DC	
Electrical	Initial Contact Resistance	50mΩ max.	
Properties	Insulation Resistance	100MΩ min.500V DC	Skey/PD: 100MΩ min.300V DC
	Withstand Voltage	500V AC for 1 minute	350 V AC for 1 minut
Durable Performance	There No Load	6,000 Cycles	5,000 Cycles
	Rated Load	5,000 Cycles	4,000 Cycles
	Storage temp.	-35℃~+75℃(Operating Temp:)	
	Operating Force	IF:35N MAX. (EF:10.0N MIN.)	
	Heat Rrsistance	IR Reflow:255℃, 5sec. Manual:350℃, 3sec.	

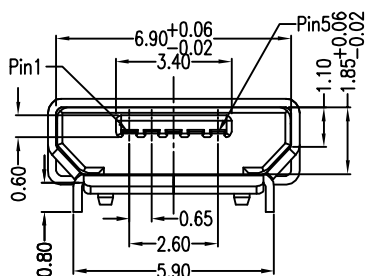
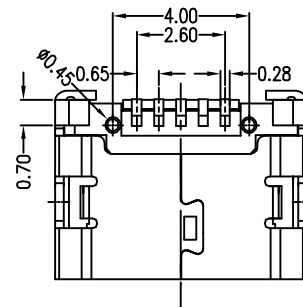
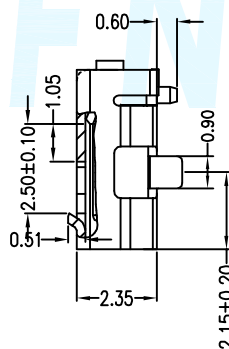
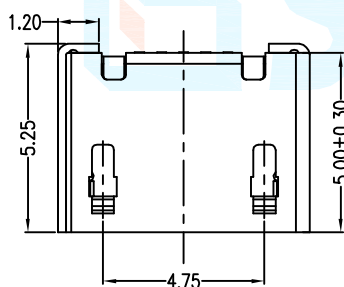
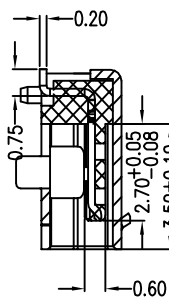
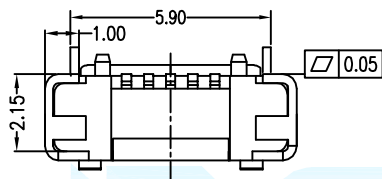
Material declaration

No.	NAME	Description
① A	基座	LCP (Gray) 耐高温塑胶 UL94V-0
② B	外壳	黄铜 C2680/SPCC [镀镍 50u" min]
③ C	动态端子	磷铜 C5191 (镀金 1u" / 焊区雾锡)

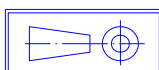
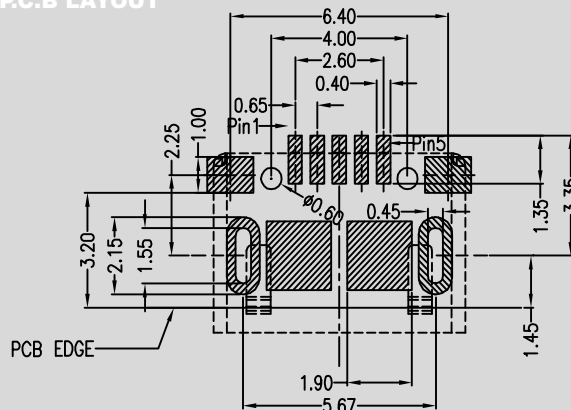
CIRCUIT DIAGRAM

1	V BUS	+5V
2	-DATA 0	Neagative Data Channel 0
3	+DATA 0	Positive Data Channel 0
4	ID	OTG
5	GND	Ground

DECIMALS	ANGLES
.X :±0.20	X.° :±1.5°
.XX :±0.10	.XX° :±1.0°
.XXX :±0.05	.XXX° :±0.5°



P.C.B LAYOUT



Unit:mm

