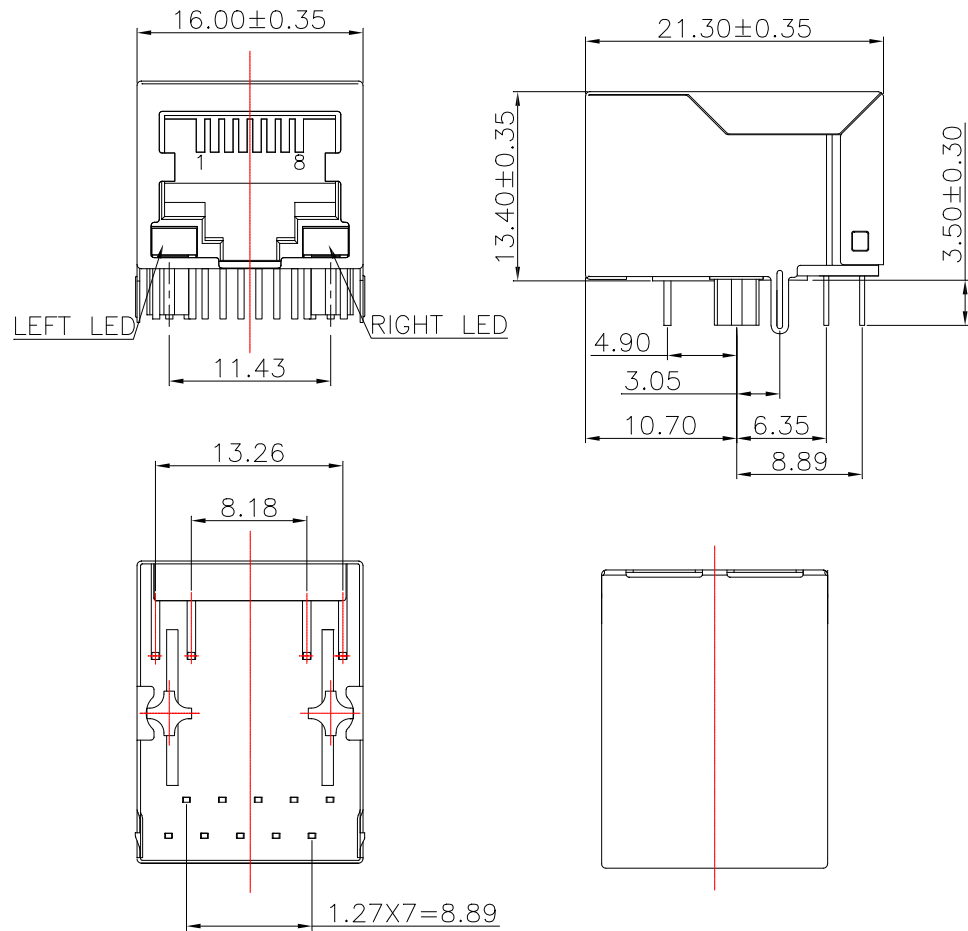
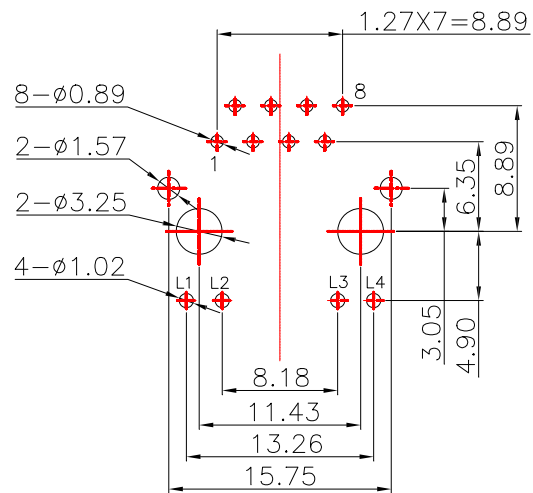


RoHS Mechanicals:

REV.	ECN NO.	LOCATIONS	DESCRIPTION	DATE	DESIGN
A		N/A	New Design	2022.4.25	Jerry Li



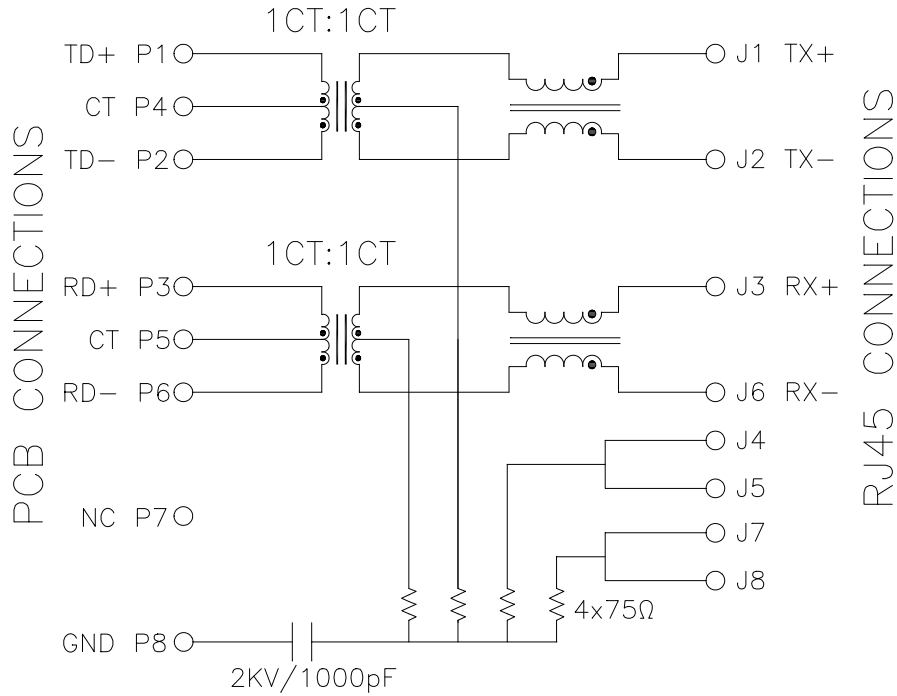
1. Material:
 - 1.1 Housing: PBT UL94V-0 Black.
 - 1.2 Contact :Phosphor Bronze,Gold plated on contact area 6u".
 - 1.3 Input Terminal : Brass.
 - 1.4 Metal shielding:Copper alloy with Nickel plated.
2. Environmental requirements:
 - 2.1 Lead-free process,compliant RoHS.



Recommended PCB Layout
(Tolerance:±0.05)

 UNIT: mm [inch] TOLERANCE: Unless Otherwise Specification All Tolerance Are ±0.25mm SCALE:1:1 SIZE:A4	深圳市华灿天禄电子有限公司	
	DESIGN: Jerry Li	PART NAME: RJ45 1x1 Dip Tab Conn 10/100 Base With LED 6u" NS
	CHECKED: Jerry Li	PART NO. HC911105AE-M895-A
	APPROVED: J Mou	DRAW NO. SLW-M895-A
	SHEET NO. 01 OF 02	

REV.	ECN NO.	LOCATIONS	DESCRIPTION	DATE	DESIGN
A		N/A	New Design	2022.4.25	Jerry Li



3. Electrical Specification @25°C:

3.1 Inductance: 350uH Min With 8mA DC bias.

3.2 Insertion loss :
1-100MHZ -1dB max.

3.3 Return loss :
1-30MHZ -18dB min.
30-60MHZ -16dB min.
60-80MHZ -12dB min.

3.4 Common Mode Rejection: 1-100MHZ -30dB min.

3.5 Cross Talk: 1-100MHZ -30dB min.

4. Operating and Storage Temperature:

4.1 Operating Temperature : -40°C to +85°C.

4.2 Storage Temperature : -40°C to +85°C.

5. Wave soldering peak temperature: 260°C.



Emitting Color	λ_p (nm)	Vf@If=20mA
Green	565	1.8-2.5V
YELLOW	585	1.8-2.5V

 UNIT: mm [inch] TOLERANCE: Unless Otherwise Specification All Tolerance Are ±0.25mm	深圳市华灿天禄电子有限公司			
	DESIGN: Jerry Li		PART NAME: RJ45 1x1 Dip Tab Base 10/100 Base With LED 6U" NS	
	CHECKED: Jerry Li		PART NO.	HC911105AE-M895-A
	APPROVED: J Mou		DRAW NO.	SLW-M895-A
	SCALE: 1:1	SIZE: A4	SHEET NO.	02 OF 02