



SMD Semi-Shielded Power Inductors - SQH6045S SERIES



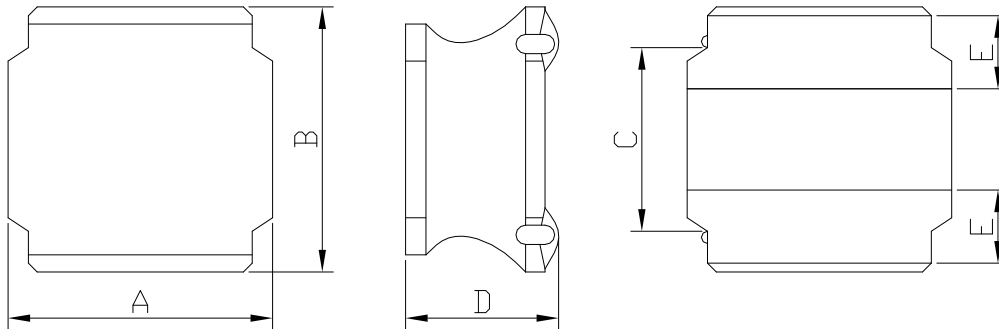
PART NUMBERING SYSTEM

(AEC-Q200)

SQH	6045S	—	220M	—	LF
TYPE	DIMENSIONS		INDUCTANCE		LEAD FREE

SHAPES AND DIMENSIONS

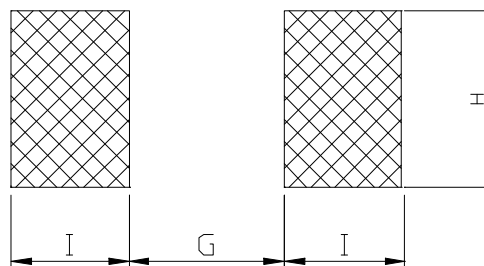
UNIT : mm



A=6.2 Max. B=6.2 Max. C=4.0 Ref. D=4.5 Max. E=1.35±0.2

RECOMMENDED PATTERNS

UNIT : mm



G= 3.10 H= 5.70 I = 1.60

FEATURES

- * Low profile and small inductors (6.2mm Max. square and 4.5mm Max. height)
- * Magnetically shielded construction and high current
- * Ideal for DC-DC converter choke coil for portable equipments (DVDs , DSC , Cellular , PDAs)
- * RoHS compliant option with lead free

SMD Semi-Shielded Power Inductors - SQH6045S SERIES



SPECIFICATION TABLE

(AEC-Q200)

PART NUMBER	INDUCTANCE (μ H)	DCR (m Ω) (Typ.)	DCR (m Ω) (Max.)	Isat (A) (Max.)	Irms (A) (Max.)
SQH6045S-1R0N-LF	1.0 \pm 30%	10.0	13.0	10.0	6.50
SQH6045S-1R3N-LF	1.3 \pm 30%	11.0	14.3	8.60	6.00
SQH6045S-1R8N-LF	1.8 \pm 30%	12.0	15.6	7.20	5.30
SQH6045S-2R3M-LF	2.3 \pm 30%	13.0	16.9	6.40	5.00
SQH6045S-3R0M-LF	3.0 \pm 30%	17.0	22.1	5.80	4.80
SQH6045S-3R3M-LF	3.3 \pm 30%	17.0	22.1	5.10	4.50
SQH6045S-4R5M-LF	4.5 \pm 20%	23.0	29.9	4.80	3.80
SQH6045S-4R7M-LF	4.7 \pm 20%	23.0	29.9	4.70	3.70
SQH6045S-6R3M-LF	6.3 \pm 20%	26.0	33.8	3.90	3.60
SQH6045S-6R8M-LF	6.8 \pm 20%	34.0	44.2	3.80	3.50
SQH6045S-8R2M-LF	8.2 \pm 20%	41.0	53.3	3.20	3.10
SQH6045S-100M-LF	10 \pm 20%	45.0	58.5	3.10	3.00
SQH6045S-150M-LF	15 \pm 20%	80.0	104.0	2.50	2.50
SQH6045S-220M-LF	22 \pm 20%	112	145.6	2.10	2.10
SQH6045S-330M-LF	33 \pm 20%	170	221.0	1.70	1.70
SQH6045S-470M-LF	47 \pm 20%	210	273.0	1.40	1.40
SQH6045S-560M-LF	56 \pm 20%	270	351.0	1.20	1.20
SQH6045S-680M-LF	68 \pm 20%	325	422.5	1.10	1.10
SQH6045S-101M-LF	100 \pm 20%	460	598.0	0.90	0.90
SQH6045S-221M-LF	220 \pm 20%	920	1100	0.85	0.59
SQH6045S-331M-LF	330 \pm 20%	1540	2000	0.57	0.51
SQH6045S-102M-LF	1000 \pm 20%	4450	5850	0.30	0.30

- Test frequency at 100KHz 1V .
- Isat : DC current at which the inductance drops 30%(typ) from its value without current.
- Irms : The temperature rise current value is the DC current value having temperature increase up 40°C temperature rise from 25°C ambient.
- Operating temperature range -40°C to +125°C , Electrical specifications at 25°C .



SMD Semi-Shielded Power Inductors - SQH6045S SERIES



SPECIFICATION TABLE

(AEC-Q200)

