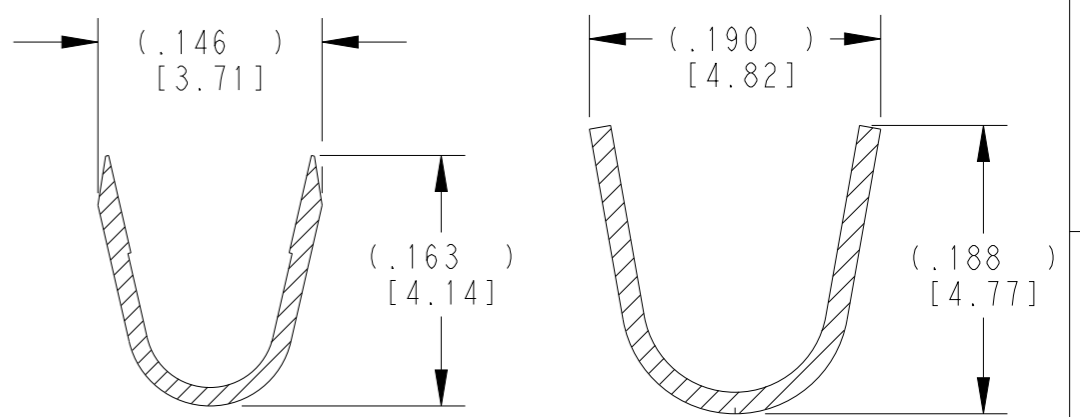
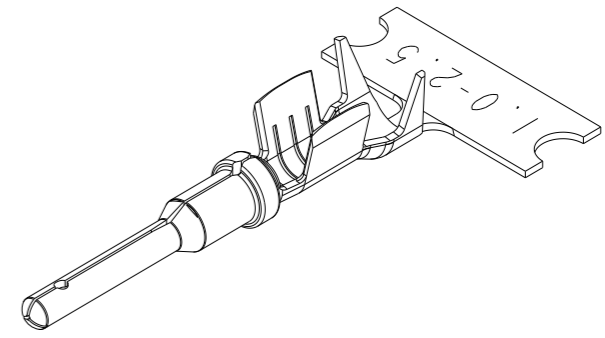
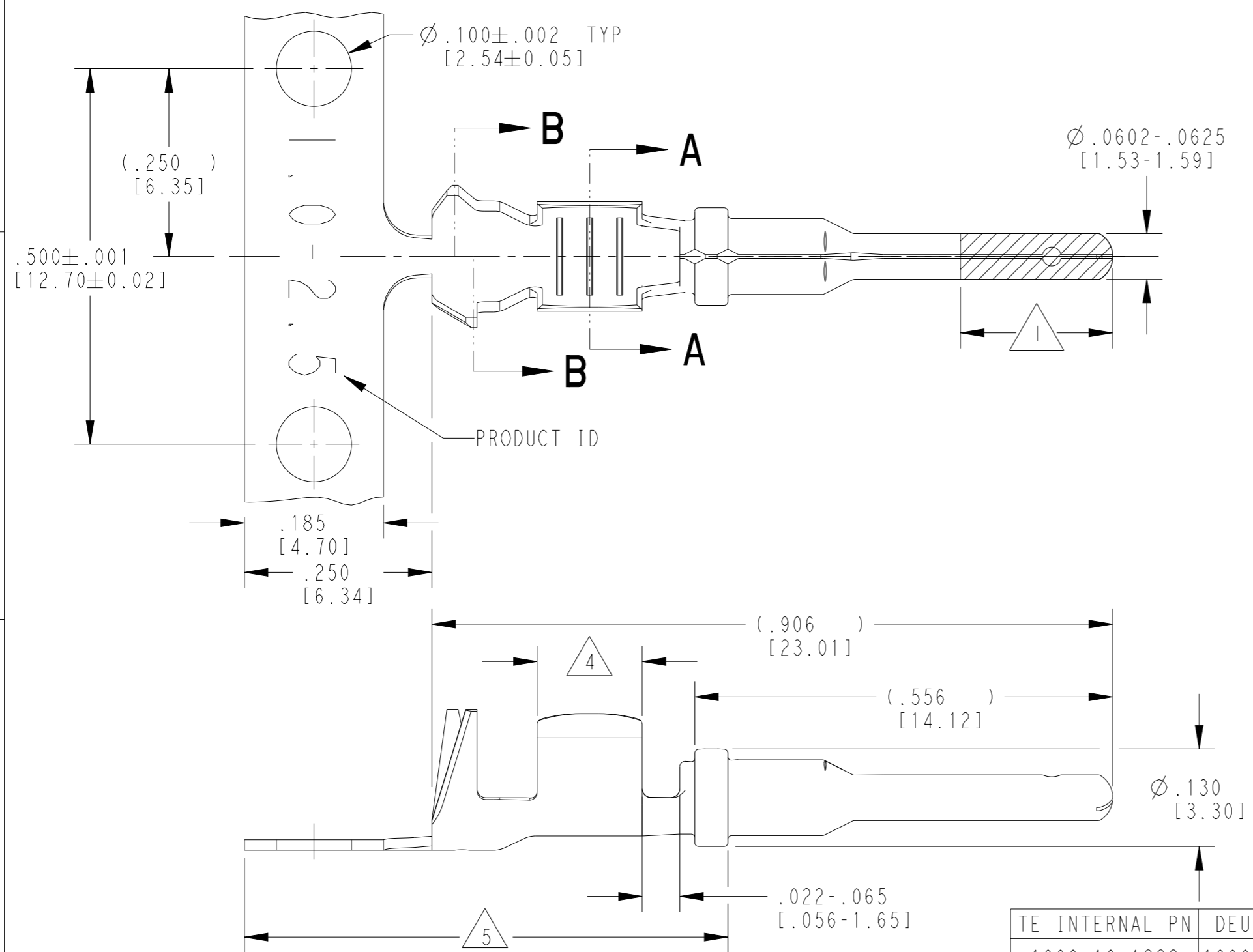


THIS DRAWING IS UNPUBLISHED. RELEASED FOR PUBLICATION 2020  
 © COPYRIGHT 2020 BY TE CONNECTIVITY ALL RIGHTS RESERVED.

LOC	DIST	REVISIONS			
P	LTR	DESCRIPTION	DATE	DWN	APVD
	C	REVISED PER ECO-15-007761	28MAY2015	RL	DM
	D	REVISED PER PCN E-20-008101	12JUN2020	DM	DM
	E	REVISED PER PCN-21-121539	04MAR2022	MK	DM



- 5 TIN PLATING MAY BE IN THIS REGION.
  - 4 TIN PLATED REGION.
  - 3 MATERIAL: .014 [0.36] THICK CU ALLOY
  - 2. WIRE RANGE: 16 AWG TO 12 AWG [1.0-2.5 mm<sup>2</sup>]  
INSULATION RANGE: Ø.075-.140 [Ø1.91-3.56]
  - 1 GOLD PLATED REGION.
- NOTES: UNLESS OTHERWISE SPECIFIED

TE INTERNAL PN	DEUTSCH PN	PLATING
1060-16-1222	1060-16-1222	Ni/Cu overall, Sn/Ni/Cu Wire Barrel
1060-16-1244	1060-16-1244	Selective Au, Ni/Cu overall, Sn/Ni/Cu Wire Barrel
1060-16-1277	1060-16-1277	Sn/Ni/Cu overall

THIS DRAWING IS A CONTROLLED DOCUMENT.		DWN 29MAR2001 VLADIMIR TOMSA		TE Connectivity	
DIMENSIONS: INCHES[mm]		CHK 14MAR2002 BRICE BYFORD			
TOLERANCES UNLESS OTHERWISE SPECIFIED:		APVD 14MAR2002 R. REED		NAME STAMPED CONTACT PIN SIZE 16	
0 PLC ± 1 PLC ± 2 PLC ± 3 PLC ±.025 [0.64] 4 PLC ± ANGLES ±		PRODUCT SPEC 108-151000		SIZE A3	
MATERIAL 3		FINISH SEE TABLE		APPLICATION SPEC 114-151001	
		WEIGHT 0.40 g		CAGE CODE 4AFU8	
		Customer Drawing		DRAWING NO 1060-16-12XX	
		SCALE 6:1		RESTRICTED TO -	
		SHEET 1 OF 1		REV E	