



## CX65XXAX

### ■ Description

The CX65XXAX series is a high input voltage (50V), low quiescent current (2.1uA), lowdropout linear regulator (LDO) able to provide 350mA load current. The CX65XXAX family LDO offers EN pin to enable and disable the LDO output, EN pin can take 50V input voltage. The LDO features very fast response against line voltage transient and load current transient, and ensures no overshoot voltage during the LDO start up and short circuit recovery. The device features integrated short-circuit and thermal shutdown protection. The device is available with fixed output voltages of 1.8V, 3.0V, 3.3V and 5.0V, and available in SOT23 and SOT89 packages.

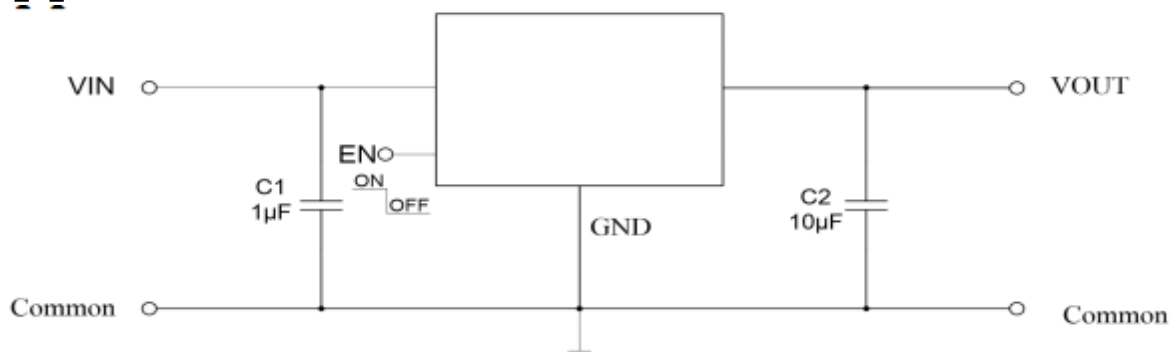
### ■ Application

- Battery-powered equipment
- Smoke detector and sensor
- Micro controller Applications
- Home Appliance

### ■ Features

- Low Quiescent Current: 2.1uA
- High Input Voltage Rating: Up to 55V
- High Output Current: 350mA
- High PSRR: 85dB at 1KHz
- Low Dropout Voltage:  
35mV@10mA  
350mV@100mA
- Fixed Output Voltages:  
1.8V, 3.0V, 3.3V and 5.0V
- High-accuracy Output Voltage:  $\pm 2\%$
- Fast Transient Response
- Integrated Short-Circuit Protection
- Enable pin is available
- Integrated Thermal Protection

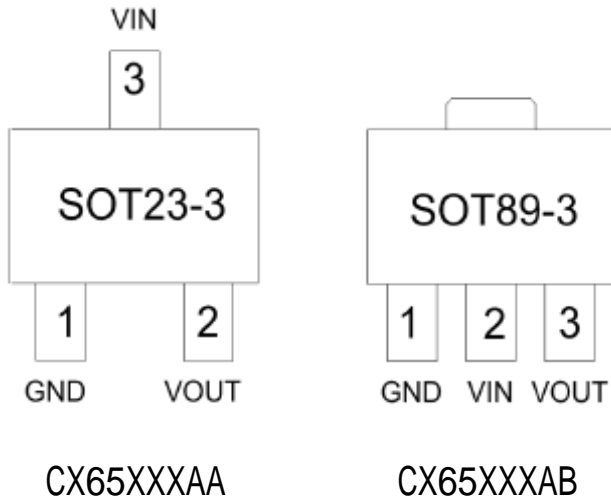
### ■ Application Circuits



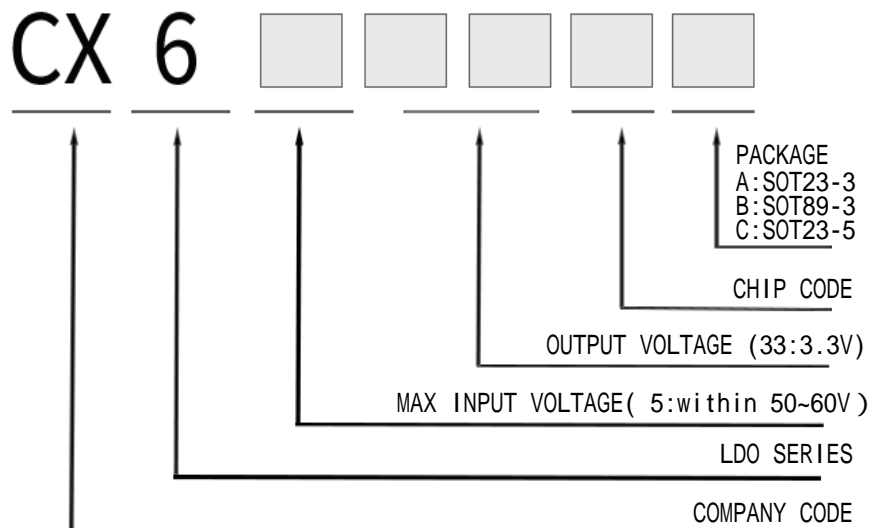


## CX65XXAX

### ■ Packages And Pin Assignment

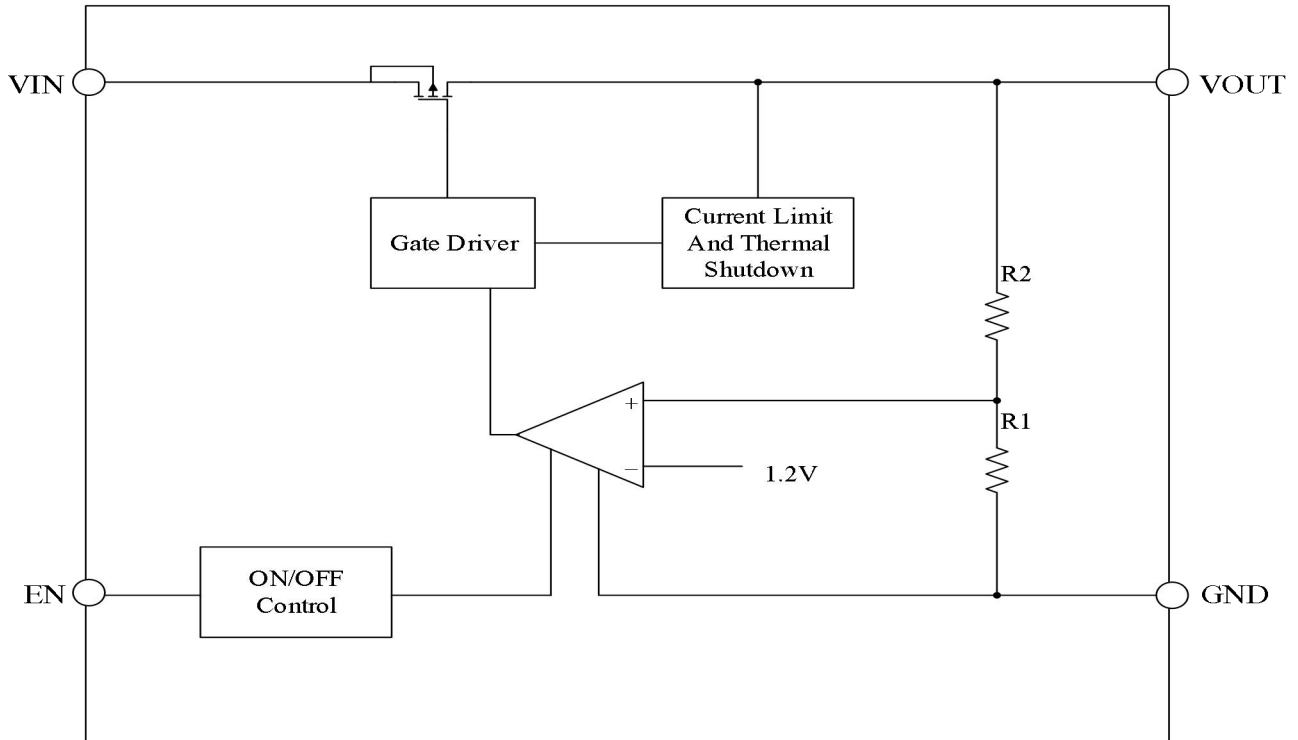


### ■ Ordering And Marking Information



## CX65XXAX

### Functional Block Diagram



### Absolute Maximum Ratings

Item	Description	Min	Max	Unit
Voltage	VIN to GND	-0.3	55	V
	VOUT to GND	-0.3	6	V
	VOUT to VIN	-55	0.3	V
	EN to GND	-0.3	55	V
Current	Peak output current	Internally limited		
Temperature	Operating Ambient Temperature	-40	85	$^{\circ}$ C
	Storage Temperature	-40	150	$^{\circ}$ C
	Operating virtual junction Temperature	-	150	$^{\circ}$ C
Thermal Resistance (Junction to Ambient)	SOT89	180		$^{\circ}$ C/W
	SOT23	360		$^{\circ}$ C/W
Power Dissipation	SOT89	600		mW
	SOT23	300		mW
Electrostatic discharge rating	Human Body Model ( HBM )	4		kV
	Charged Device Model ( MM )	100		V



## CX65XXAX

50V/350mA/2.1uA  $I_Q$ /Fast Transient  
Low-Dropout Linear Voltage Regulator

### ■ Electrical Characteristics

( At  $T_A=25^\circ\text{C}$ ,  $C_{IN}=1\mu\text{F}$ ,  $V_{IN}=V_{OUTNOM}+1.0\text{V}$ ,  $C_{OUT}=10\mu\text{F}$ , unless otherwise noted )

Symbol	Parameter	Test Conditions	MIN	TYP	MAX	UNIT
VIN	Input Voltage		3	—	50	V
IGND	Quiescent Current	VIN=12V, No load	—	2.1	—	uA
VOUT	Output Voltage	VIN=12V, IOU=10mA	$V_{OUTNOM} * 0.98$	$V_{OUTNOM}$	$V_{OUTNOM} * 1.02$	V
IOU_MAX	Output Current		300	350	—	mA
VDROP	Dropout Voltage <sup>(1)</sup>	IOU=10mA, VIN=VOU-0.1V	—	35	—	mV
		IOU=100mA, VIN=VOU-0.1V	—	350	—	mV
$\Delta V_{OUT}(\Delta I_{OUT})$	Load Regulation	VIN=12V, 1mA ≤ IOU ≤ 100mA	—	0.02	—	%/mA
$\Delta V_{OUT}(\Delta V_{IN})$	Line Regulation	IOU=1mA, VOU+0.5V ≤ VIN ≤ 40V	—	0.01	—	%/V
ILIMIT	Current Limit		—	500	—	mA
TSHDN	Thermal Shutdown Temperature	Shutdown, temperature increasing	—	150	—	°C
		Reset, temperature decreasing	—	140	—	
PSRR		Vin=12V, Iout=10mA F=1Khz, Vout=3.3V		85		dB
VENH	EN High level	Enabled	1	—	—	V
VENL	EN Low level	Shutdown	—	—	0.4	V

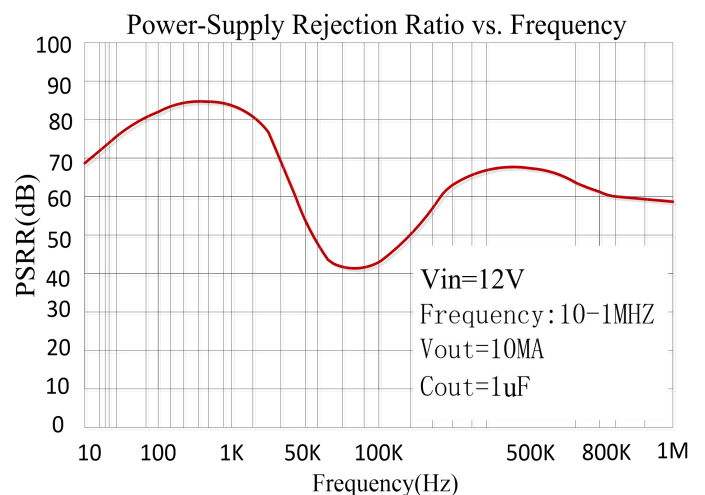
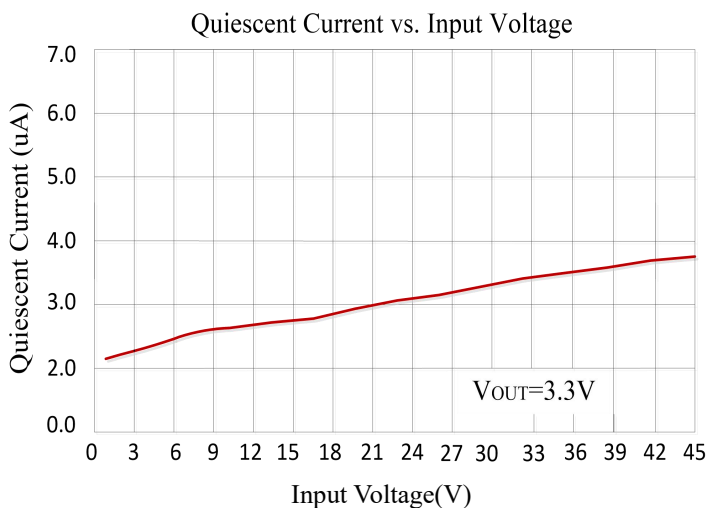
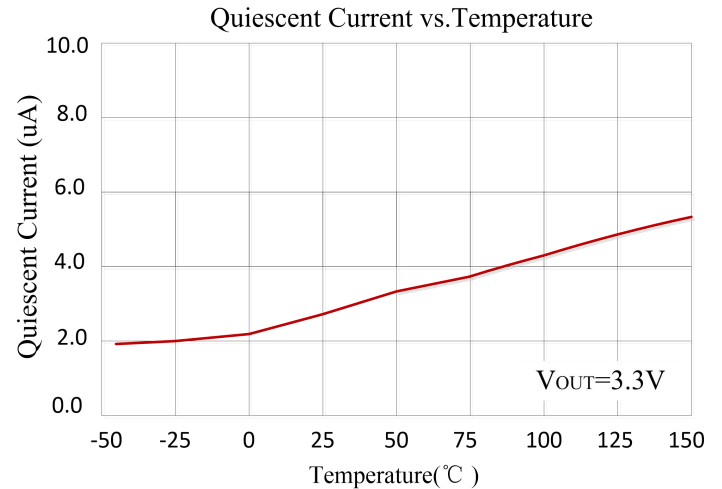
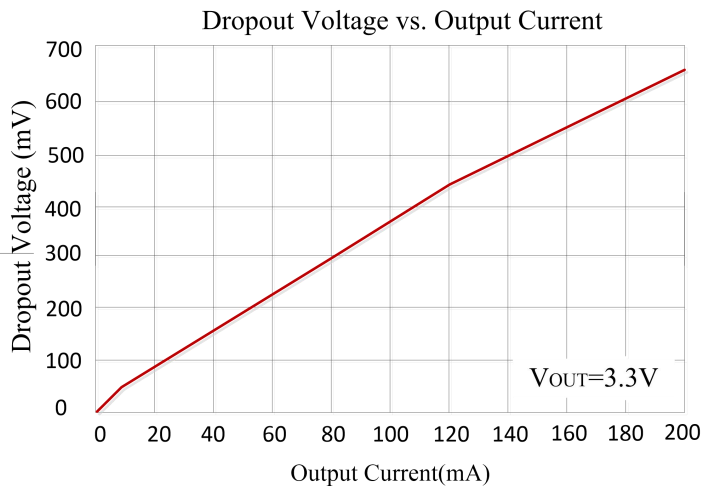
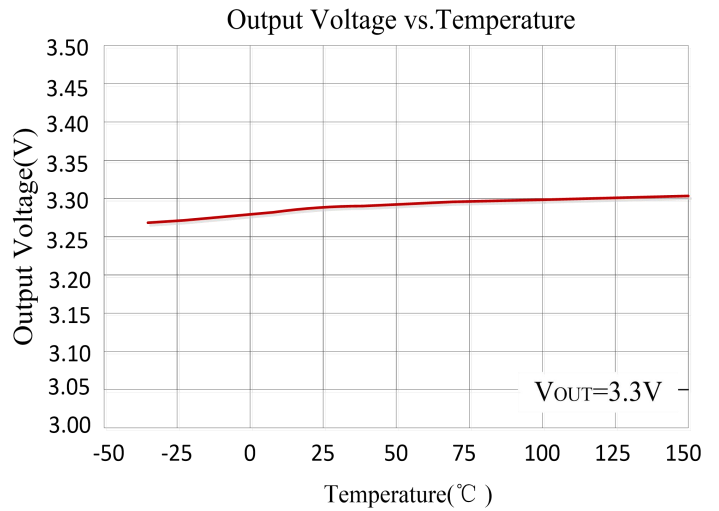
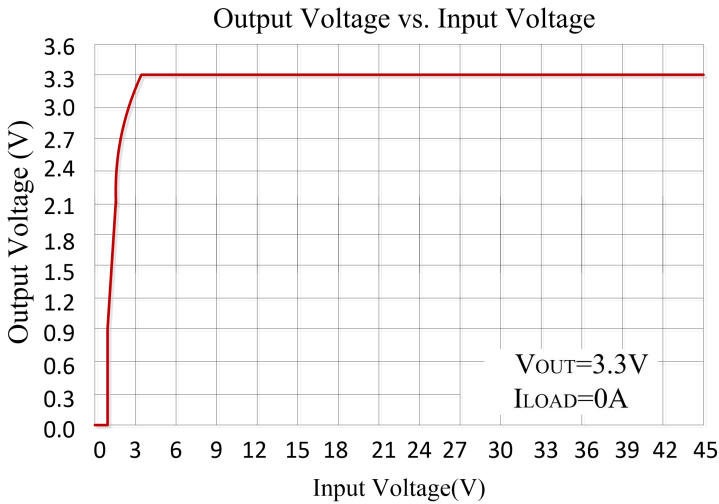
Note : (1) Dropout Voltage is the voltage difference between the input and the output at which the output voltage drops 2% below its nominal value.



## CX65XXAX

### Typical Performance Characteristics

Test Condition:  $T_A=25^\circ\text{C}$ ,  $I_{\text{out}}=1\text{mA}$ ,  $C_{\text{OUT}}=10\mu\text{F}$ , unless otherwise noted

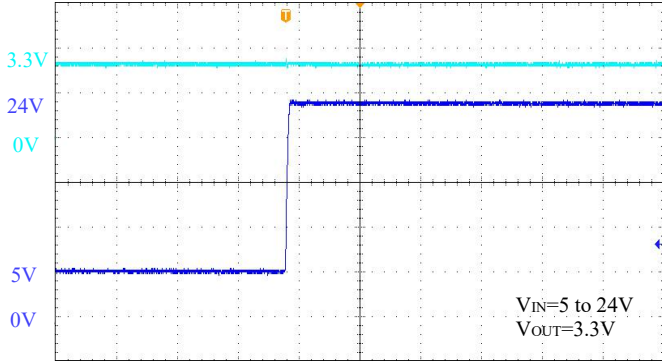




## CX65XXAX

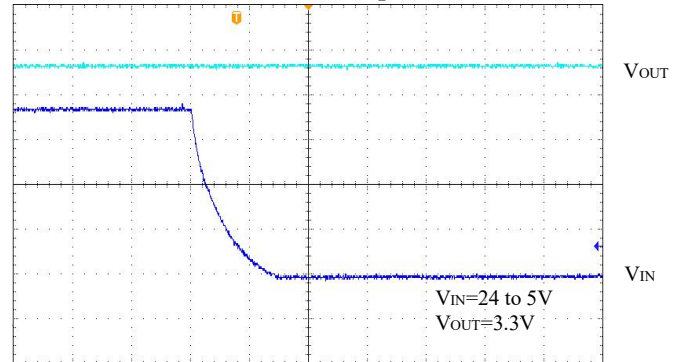
50V/350mA/2.1 $\mu$ A  $I_Q$ /Fast Transient  
Low-Dropout Linear Voltage Regulator

Line Transient Response



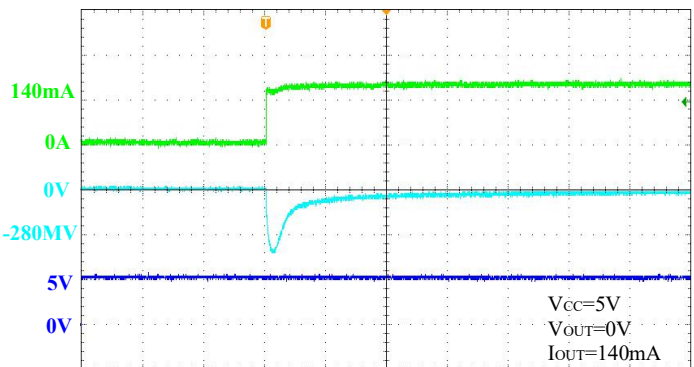
Time(4 $\mu$ s/div)

Line Transient Response



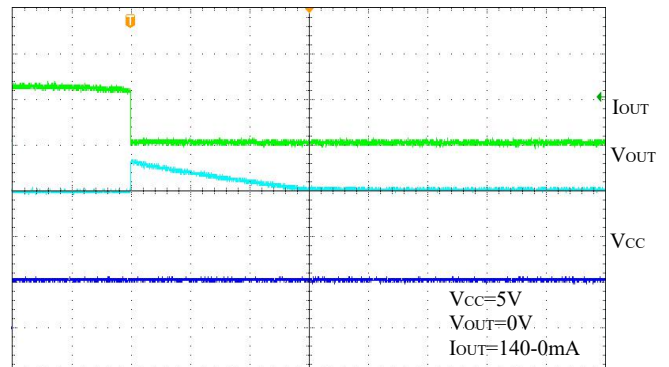
Time(4 $\mu$ s/div)

Load Transient Response



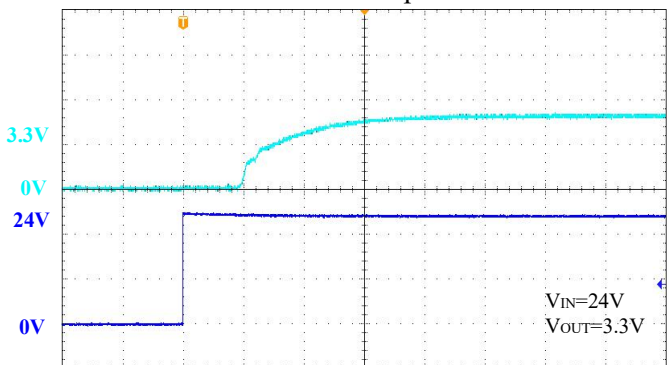
Time(20 $\mu$ s/div)

Load Transient Response



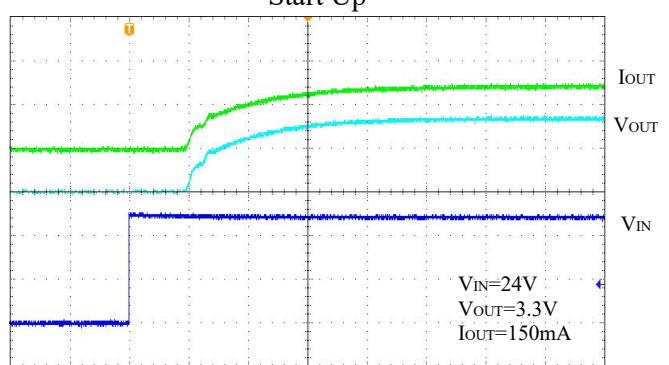
Time(200 $\mu$ s/div)

Start Up



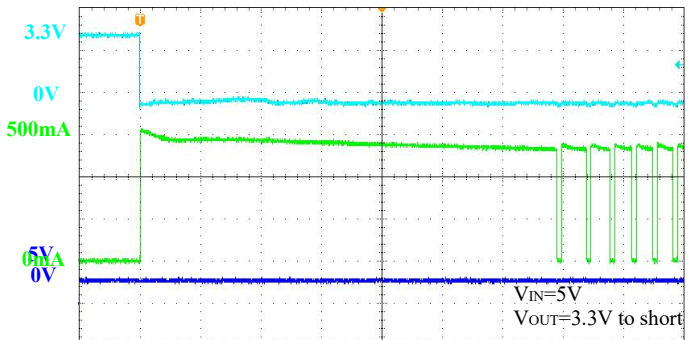
Time(100 $\mu$ s/div)

Start Up



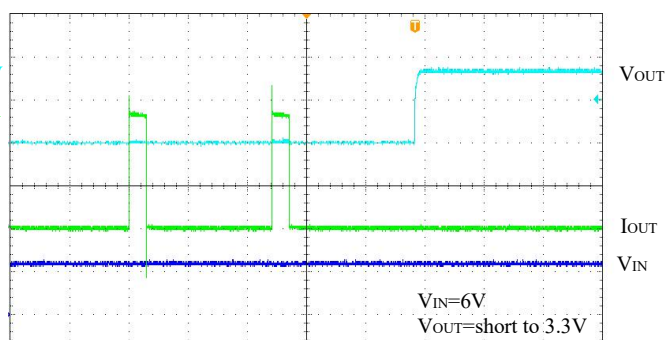
Time(100 $\mu$ s/div)

Short Circuit Protection



Time(20ms/div)

Short Circuit Protection



Time(2ms/div)



## CX65XXAX

---

### ■ Functional Description

#### Input Capacitor

A 1 $\mu$ F ceramic capacitor is recommended to connect between VIN and GND pins to decouple input power supply glitch and noise. The amount of the capacitance may be increased without limit. This input capacitor must be located as close as possible to the device to assure input stability and less noise. For PCB layout, a wide copper trace is required for both VIN and GND.

#### Output Capacitor

An output capacitor is required for the stability of the LDO. The recommended minimum output capacitance is 1 $\mu$ F, ceramic capacitor is recommended, and temperature characteristics are X7R or X5R. Higher capacitance values help to improve load/line transient response. The output capacitance may be increased to keep low undershoot/overshoot. Place output capacitor as close as possible to VOUT and GND pins.

#### EN Pin Operation

The CX65XXAX is turned on by setting the EN pin to “H”. Since the EN pin is neither pulled down nor pulled up internally, do not set it in floating status. When the EN pin is not used, connect the EN pin with VIN to keep the LDO in operating mode.

#### Current Limit and Short Circuit Protection

When output current at VOUT pin is higher than current limit threshold or the VOUT pin is direct short to GND, the current limit protection will be triggered and clamp the output current at a pre-designed level to prevent over-current and thermal damage.

#### Thermal Protection

The CX65XXAX has internal thermal sense and protection circuits. When excessive power dissipation happens on the device, such as short circuit at the output pin or very heavy load current with a large voltage drop across the device, the internal thermal protection circuit will be triggered, and it will shut down the power MOSFET to prevent the LDO from damage. As soon as excessive thermal condition is removed and the temperature of the device drops down, the thermal protection circuit will lease the control of the power MOSFET, and the LDO device goes to normal operation.

---



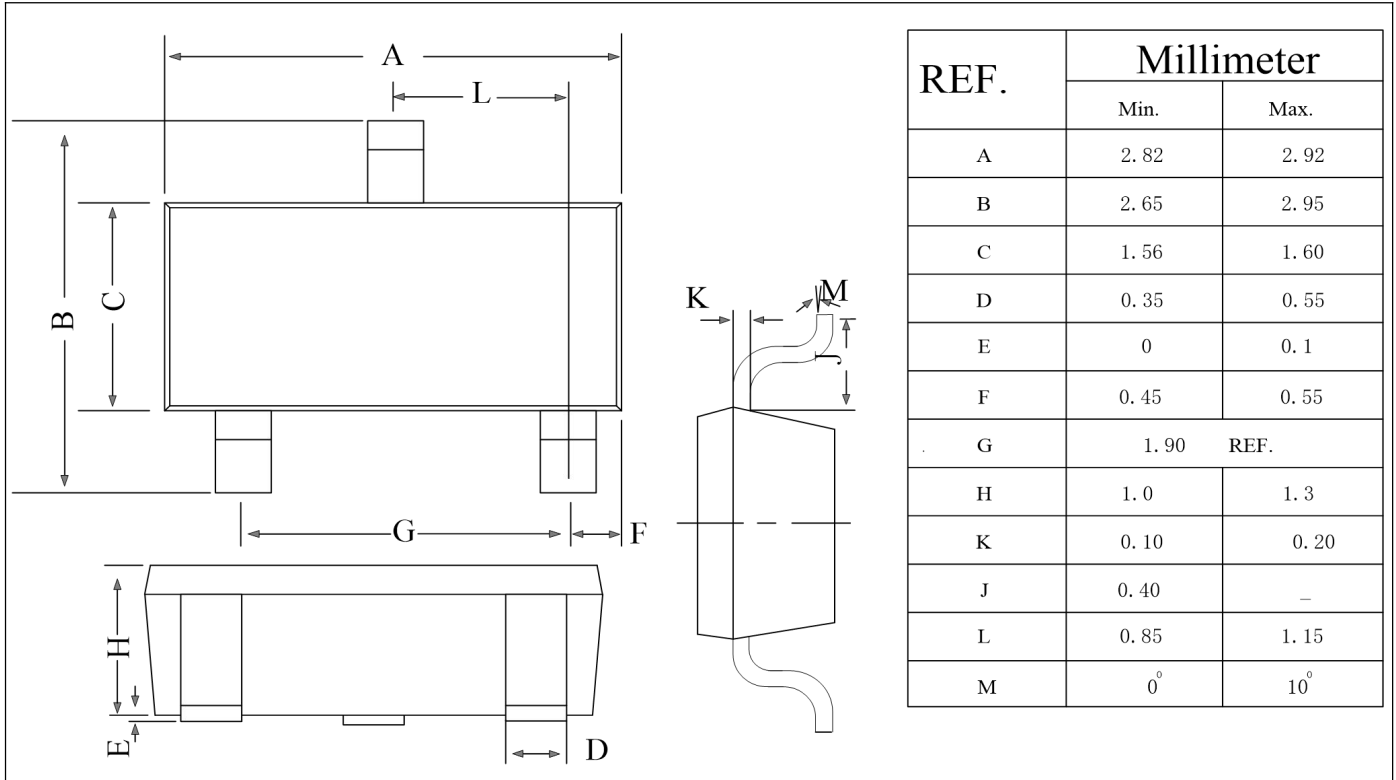


50V/350mA/2.1 $\mu$ A  $I_Q$ /Fast Transient  
Low-Dropout Linear Voltage Regulator

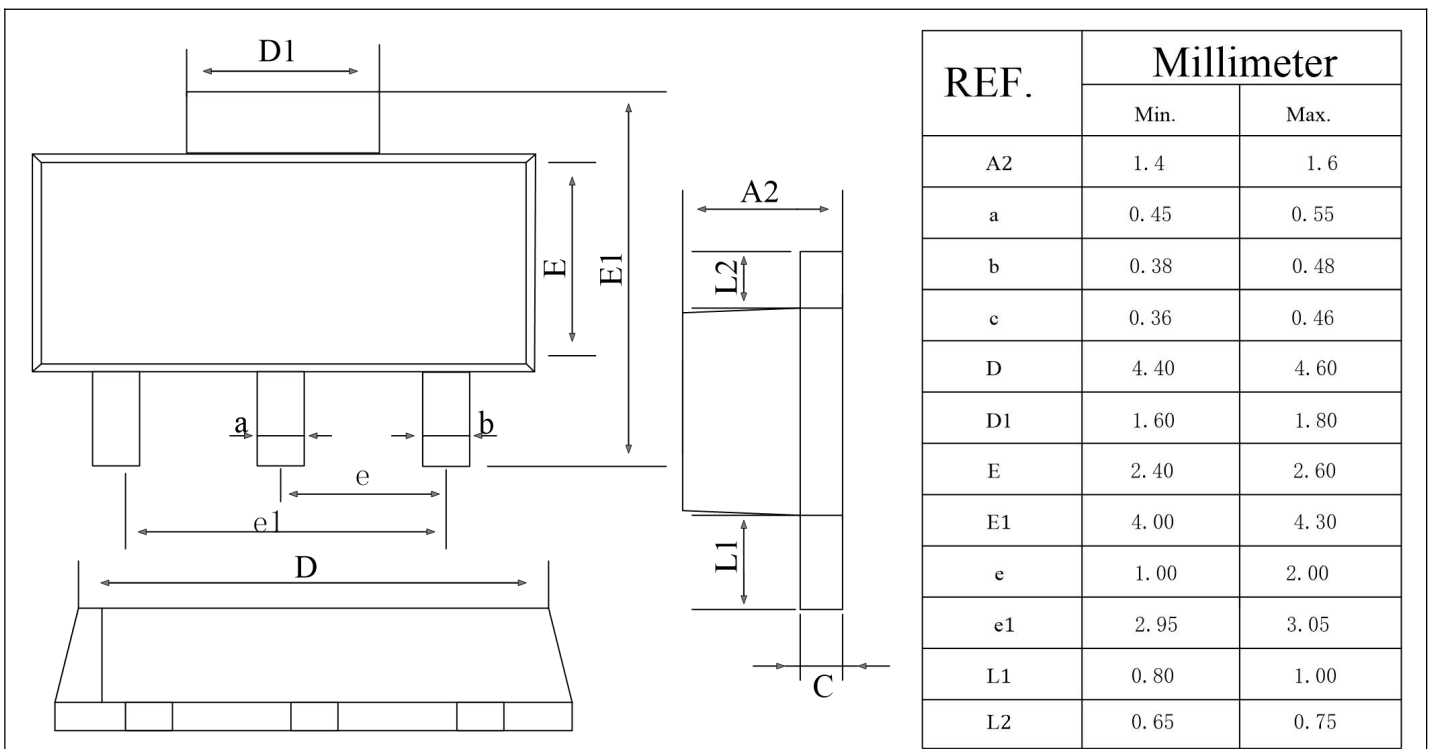
## CX65XXAX

### Package Outline Dimensions

#### SOT23-3



#### SOT89-3



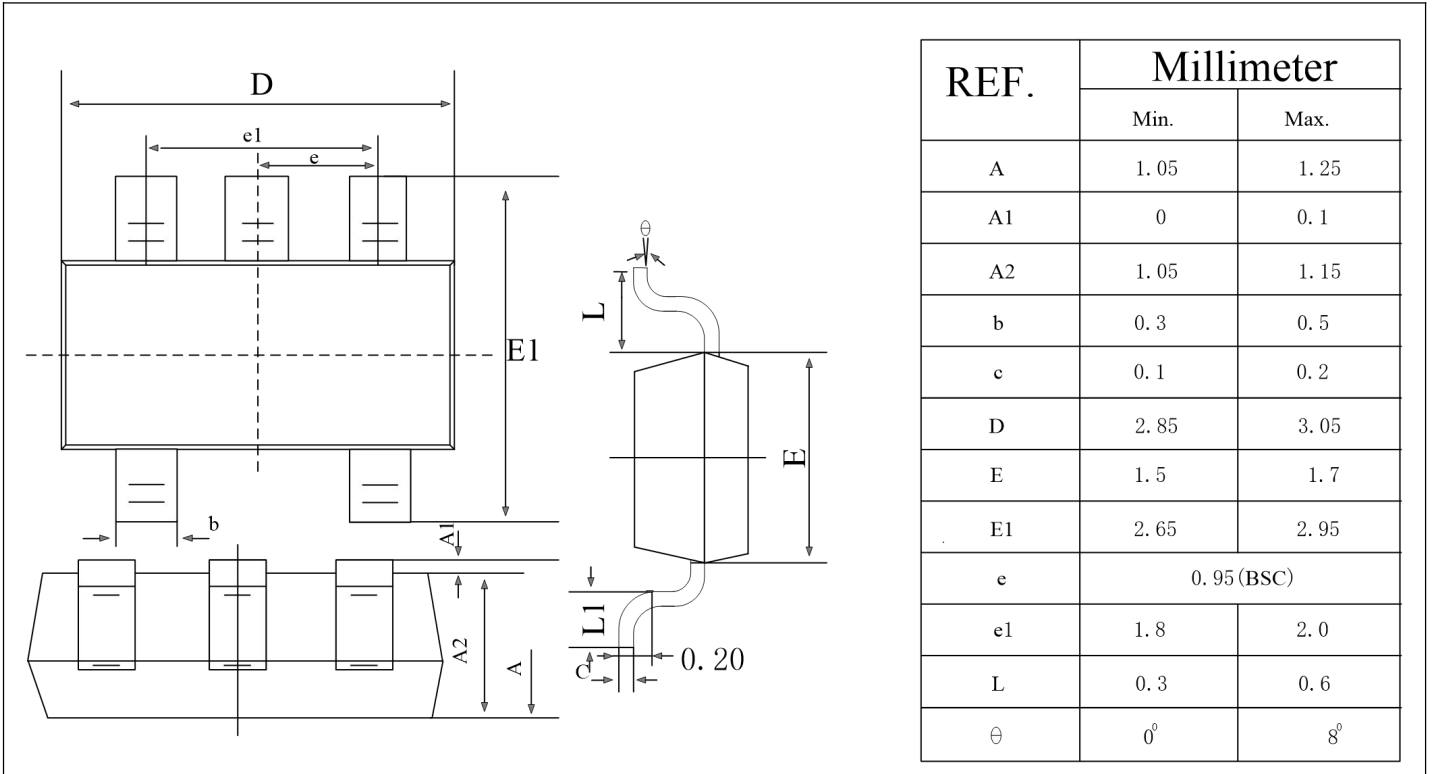




## CX65XXAX

50V/350mA/2.1uA  $I_Q$ /Fast Transient  
Low-Dropout Linear Voltage Regulator

### SOT23-5

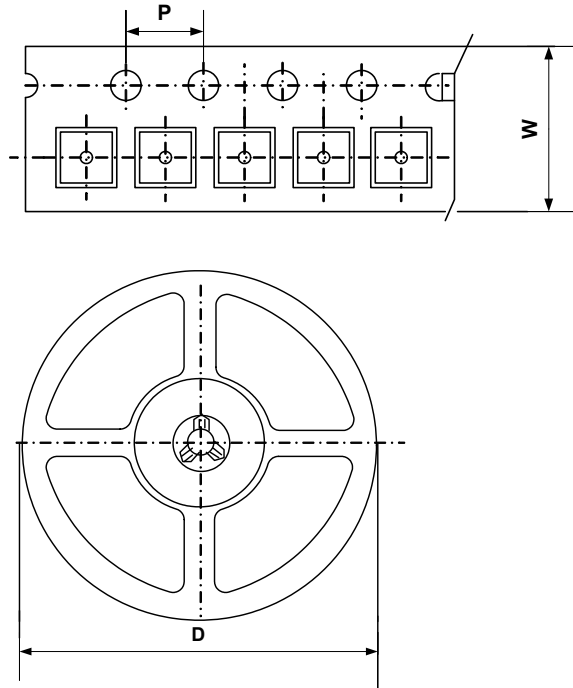




## CX65XXAX

50V/350mA/2.1 $\mu$ A  $I_Q$ /Fast Transient  
Low-Dropout Linear Voltage Regulator

### ■ Packing Information



Type	W(mm)	P(mm)	D(mm)	Qty (pcs)
SOT23-3	8.0 $\pm$ 0.1 mm	4.0 $\pm$ 0.1 mm	180 $\pm$ 1 mm	3000pcs
SOT23-5	8.0 $\pm$ 0.1 mm	4.0 $\pm$ 0.1 mm	180 $\pm$ 1 mm	3000pcs
SOT89-3	12.0 $\pm$ 0.1 mm	4.0 $\pm$ 0.1 mm	180 $\pm$ 1 mm	1000pcs