



# A1 THRU A7

## 1.0 AMP SURFACE MOUNT SILICON RECTIFIERS

### FEATURES

- \* Ideal for surface mount applications
- \* Easy pick and place
- \* Built-in strain relief
- \* High surge current capability

### MECHANICAL DATA

- \* Case: Molded plastic
- \* Epoxy: UL 94V-0 rate flame retardant
- \* Terminals: Solder plated, solderable per MIL-STD-202F, method 208 guranteed
- \* Polarity: Color band denotes cathode end
- \* Mounting position: Any

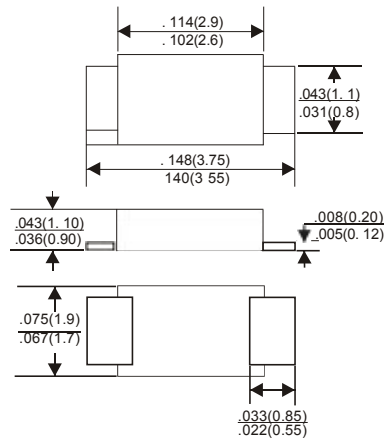
### VOLTAGE RANGE

50 to 1000 Volts

### CURRENT

1.0 Ampere

#### SOD123FL



## MAXIMUM RATINGS AND ELECTRICAL CHARACTERISTICS

Rating 25 °C ambient temperature unieess otherwies specified.  
Single phase half wave, 60Hz, resistive or inductive load.  
For capacitive load, derate current by 20%.

TYPE NUMBER	A1	A2	A3	A4	A5	A6	A7	UNITS
Maximum Recurrent Peak Reverse Voltage	50	100	200	400	600	800	1000	V
Maximum RMS Voltage	35	70	140	280	420	560	700	V
Maximum DC Blocking Voltage	50	100	200	400	600	800	1000	V
Maximum Average Forward Rectified Current at Ta=75 C	1.0							A
Peak Forward Surge Current, 8.3 ms single half sine-wave superimposed on rated load (JEDEC method)	25							A
Maximum Instantaneous Forward Voltage at 1.0 A	1.1							V
Maximum DC Reverse Current Ta=25 C	5.0							μA
at Rated DC Blocking Voltage Ta=100 C	50							μA
Typical Junction Capacitance (Note 1)	15							pF
Typical Thermal Resistance R JA (Note 2)	80							C/W
Operating and Storage Temperature Range T <sub>J</sub> , T <sub>STG</sub>	-65—+150							C
Marking Code								

#### NOTES:

1. Measured at 1MHz and applied reverse voltage of 4.0V D.C.
2. Thermal Resistance from Junction to Ambient.

## RATING AND CHARACTERISTIC CURVES (A1 THRU A7)

FIG.1-TYPICAL FORWARD CHARACTERISTICS

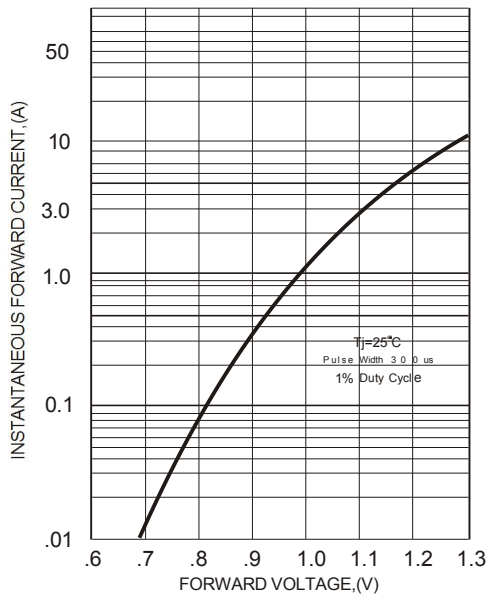


FIG.2-TYPICAL FORWARD CURRENT DERATING CURVE

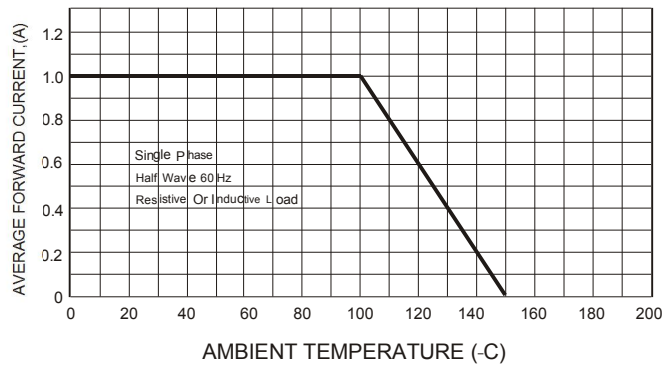


FIG.4-MAXIMUM NON-REPETITIVE FORWARD SURGE CURRENT

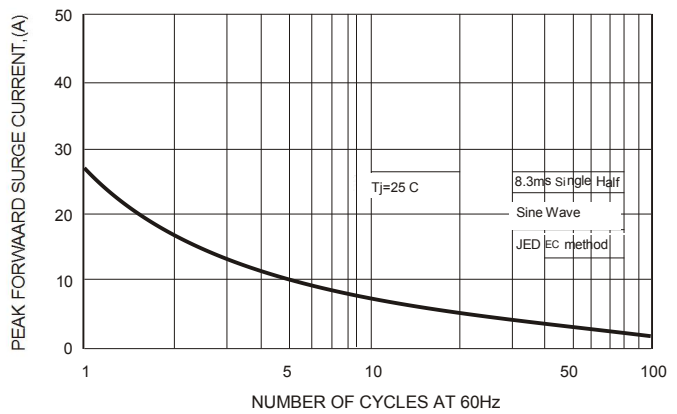


FIG.3 - TYPICAL REVERSE CHARACTERISTICS

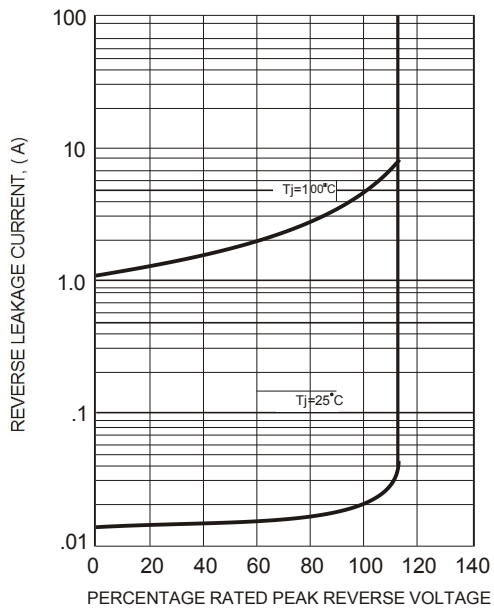


FIG.5-TYPICAL JUNCTION CAPACITANCE

