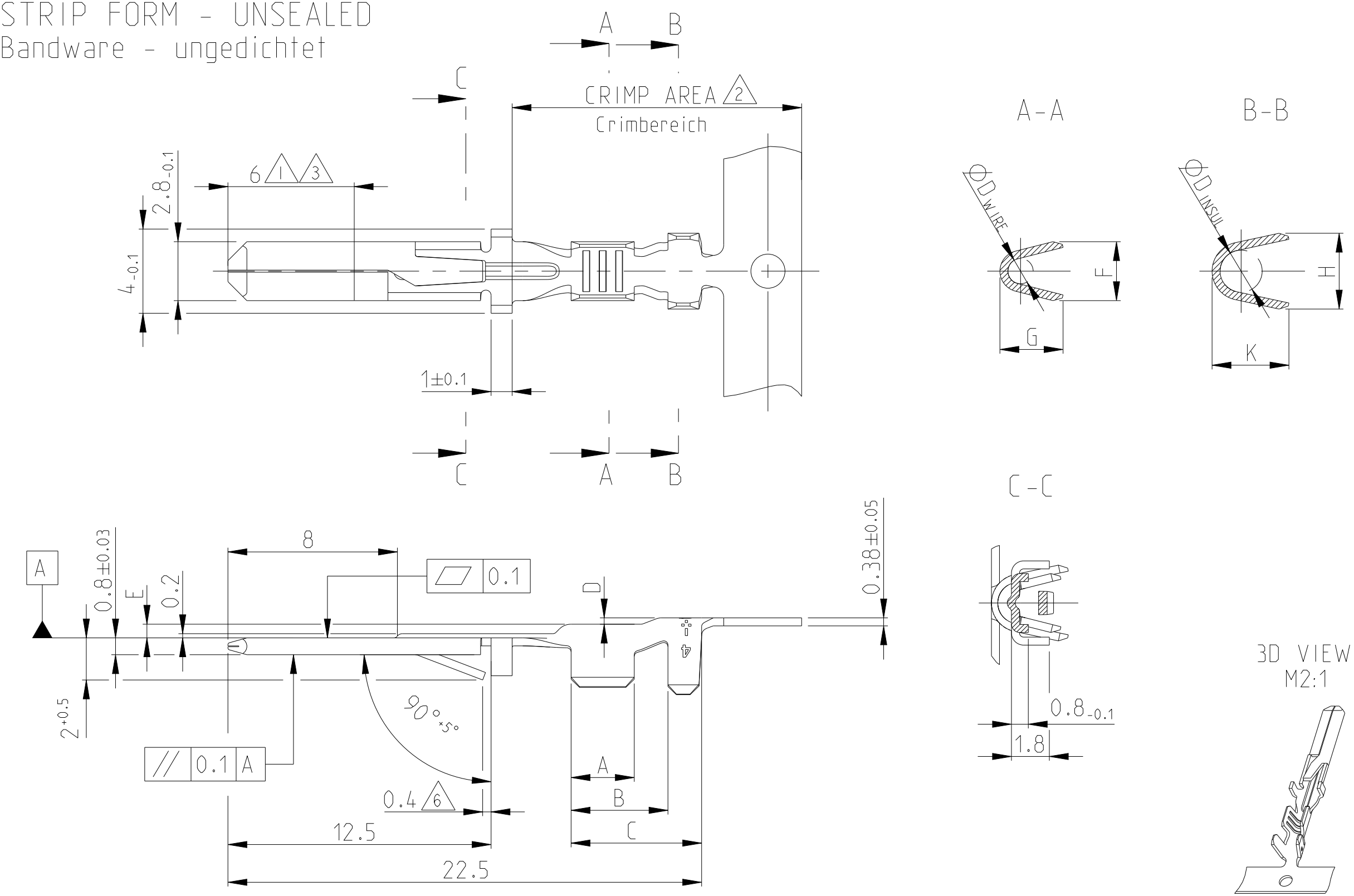
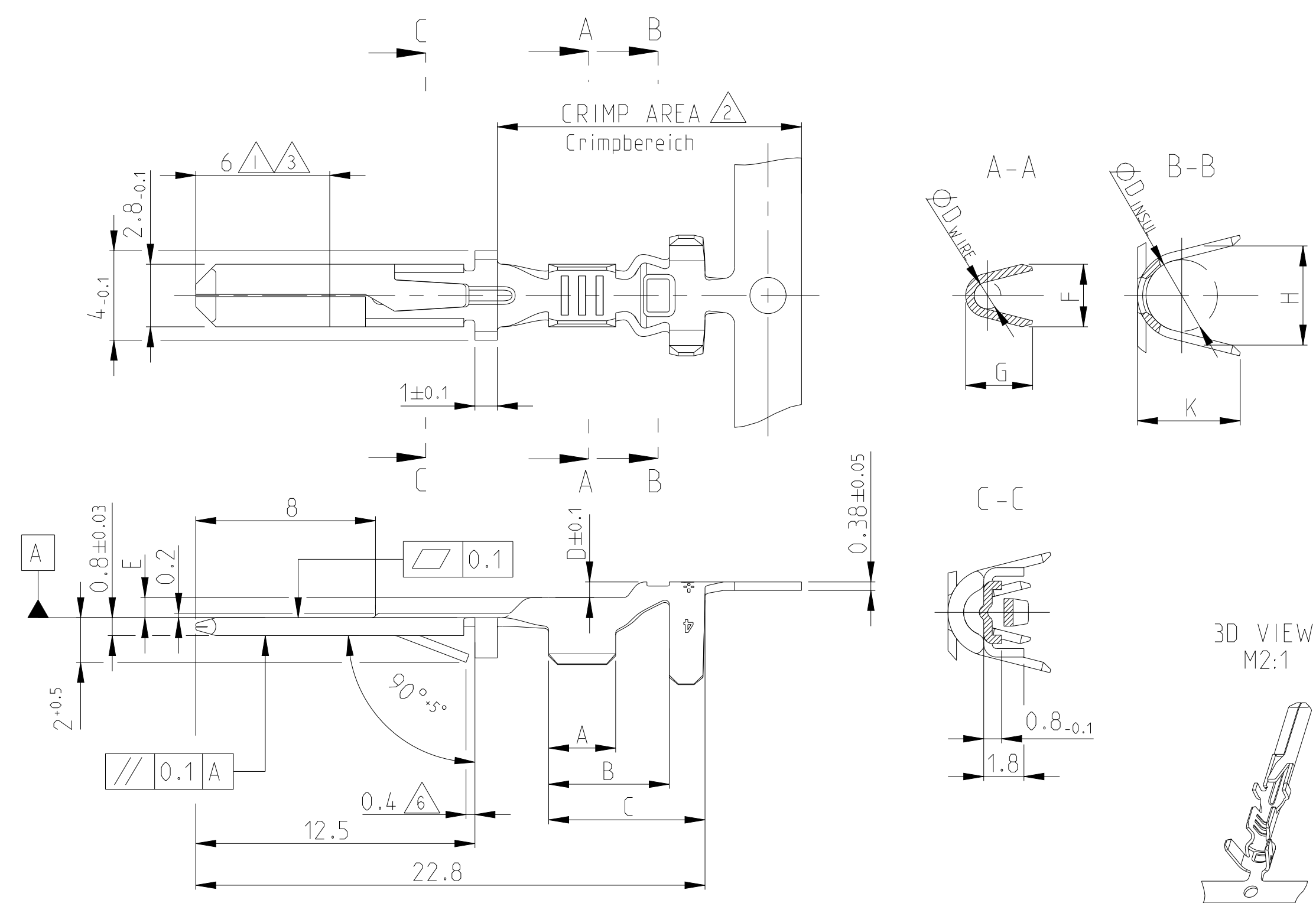


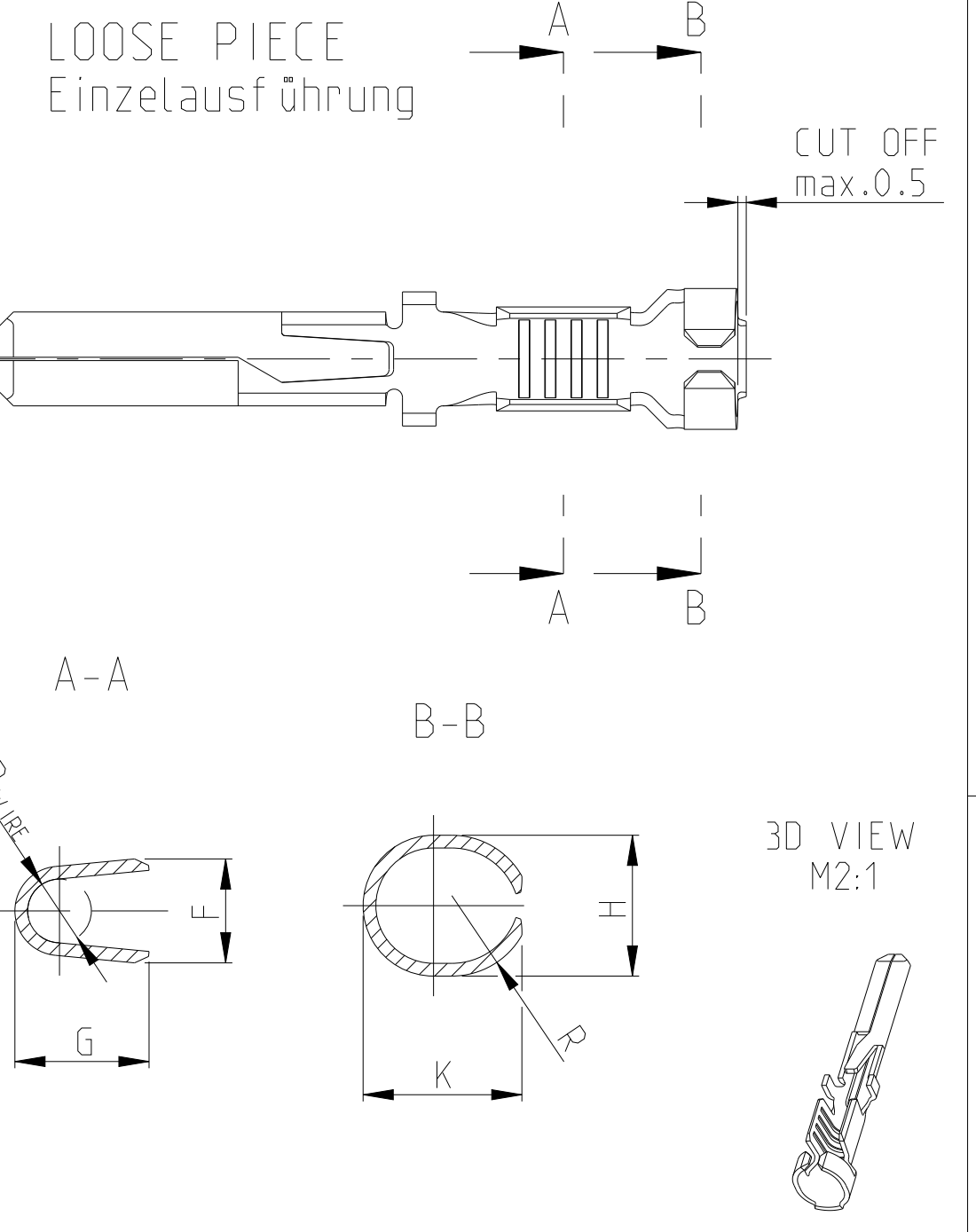
STRIP FORM - UNSEALED
Bandware - ungedichtet



STRIP FORM - SINGLE WIRE SEAL
Bandware - Einzel-Dichtung System



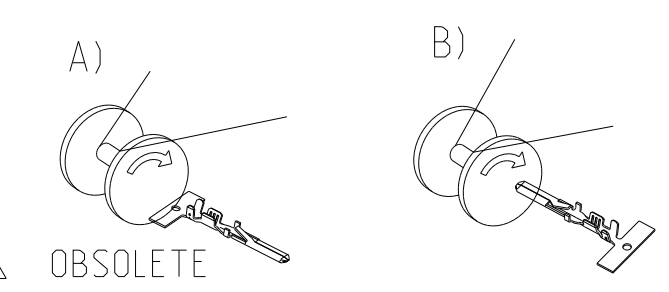
REVISIONS				
P	LTN	DESCRIPTION	DATE	OWN APVD
A6		REVISED PER ECR-20-008867	08JUL2020	BH E.W
A7		REVISED PER ECR-20-013815	22OCT2020	MK E.W
AB		REVISED PER ECR-21-100862	19MAR2021	SS E.W



SINGLE WIRE SEAL/ Einzel-Dichtung	N/A	N/A	4.3	4.8	2.8	4.0	3.1	1.7	4.6	5.6	3.6	4.0	3.8	1.7	0.85	0.95	7.5	5.9	3.5	B	A	Ø3.4	1.0 - 2.5 FLR	PRETINNED min.1µm		SEL. GOLD PLATED 1/2		PLAIN								
																								CuSn4	8 0-965975-5	J	8 0-929949-5	CuZn30	8 0-965975-4	J	8 0-929949-4	CuZn30	8 0-965975-3	J	8 0-929949-3	
N/A	N/A	4.3	4.8	2.8	3.0	2.2	1.2	4.6	5.4	3.2	3.0	2.8	1.2	0.9	0.7	7.0	5.4	3.0	B	A	Ø3.4	0.5 - 1.0 FLR	PRETINNED min.1µm		SEL. GOLD PLATED 1/2		PLAIN									
																							CuSn4	8 0-965974-5	J	8 0-929948-5	CuZn30	8 0-965974-4	J	8 0-929948-4	CuZn30	8 0-965974-3	J	8 0-929948-3		
2-1579001-1 WITH DIE SET: mit Matrize: 1579001-2	N/A	2.5	2.5	1.4	2.2	2.0	0.8	2.8	2.8	1.4	2.2	2.2	0.8	0.65	0.2	5.7	4.1	2.5	B	A	Ø1.15 - 1.6	0.2 - 0.5 FLR	PRETINNED min.1µm		SEL. GOLD PLATED 1/2		PLAIN									
																							CuSn4	8 0-963962-5	D	8 0-963961-5	CuZn30	8 0-963962-4	D	8 0-963961-4	CuZn30	8 0-963962-3	D	8 0-963961-3		
539635-1 WITH DIE SET: mit Matrize: 539743-2	878416-0	3.7	3.1	(1.8)	3.0	2.2	1.2	4.1	3.9	1.8	3.0	2.8	1.2	0.65	0.2	6.2	4.6	3.0	B	A	Ø1.4 - 2.3	0.5 - 1.0 FLR	PRETINNED min.1µm		SEL. GOLD PLATED 1/2		PLAIN									
																							CuSn4	0-928931-5	P	0-928930-5	CuZn30	0-928931-4	P	0-928930-4	CuZn30	0-928931-3	P	0-928930-3		
169400 WITH DIE SET: mit Matrize: 734262 - 0	878402-0	4.4	3.8	2.3	4.0	3.1	1.8	4.9	4.7	2.6	4.0	3.8	1.8	1.15	0.3	7.2	5.6	4.0	B	A	Ø1.8 - 2.9	1.0 - 2.5 FLR	PRETINNED min.1µm		SEL. GOLD PLATED 1/2		PLAIN									
																							CuSn4	0-928794-5	R	0-928781-5	CuZn30	8 0-928794-4	R	8 0-928781-4	CuZn30	8 0-928794-3	R	8 0-928781-3		
N/A	878227-0	4.8	4.2	2.4	4.0	3.1	1.9	5.3	4.8	3.1	4.0	3.8	1.9	1.15	0.4	7.2	5.6	4.0	B	A	Ø2.3 - 3.5 RB-Leitung	1.5 - 3 FLR	PRETINNED min.1µm		SEL. SILVER PLATED 3		PLAIN									
																							CuSn4	8 0-928924-5	R	8 0-927893-5	CuSn4	8 0-928924-4	R	8 0-927893-4	CuSn4	8 0-928924-3	R	8 0-927893-3		
N/A	N/A	3.3	3.1	(1.8)	3.0	2.2	1.2	3.65	3.6	2.0	3.0	2.8	1.2	0.65	0.3	6.2	4.6	3.0	B	A	Ø1.6 - 2.2 RB-Leitung	0.5 - 1.0 FLR	PRETINNED min.1µm		SEL. SILVER PLATED 3		PLAIN									
																							CuSn4	0-928923-5	S	8 0-927892-5	CuSn4	8 0-928923-4	S	8 0-927892-4	CuSn4	8 0-928923-3	S	8 0-927892-3		
HAND TOOL Handzage	APPLICATOR Anschlag-WKZ	K	H	R	G	F	D _{WIRE}	K	H	D _{INSUL}	G	F	D _{WIRE}	E	D	C	B	A	REELING	INSULATION RANGE Isolations-durchmesser	WIRE RANGE DGB [mm 2]	FINISH Oberfl äche	MATERIAL	TYCO ORDER No. LOOSE PIECE Einzelauflösung	REV	TYCO ORDER No. STRIP FORM Bandware	THIS DRAWING IS A CONTROLLED DOCUMENT.		DWN TT_Konecny 21AUG2006	CHK P_Hasek 60CT2006	APVD R_Vlcek 90CT2006	NAME PRODUCT GROUP DRAWING FOR 2.8 mm FASTIN-FASTON® TAB	SIZE 116-18014	CAGE CODE 00779	DRAWING NO. 1670467	RESTRICTED TO
																											DIMENSIONS: mm	TOLERANCES UNLESS OTHERWISE SPECIFIED: 0 PLC ±0.2 1 PLC ±0.2 2 PLC ±0.2 3 PLC ±0.2 4 PLC ±0.2 ANGLES ±1.5°								

NOTES:
Bemerkungen

- 1 CONTACT AREA min.0.75 µm Au OVER min.1.25 µm Ni
Kontaktbereich min.0.75 µm Au über min.1.25 µm Ni
- 2 CRIMP AREA 1-2 µm Sn OVER min.0.05 µm Ni
Crimpbereich 1-2 µm Sn über min.0.05 µm Ni
- 3 Min.3 µm Ag IN LOCALIZED AREA. FLASH Ag ON REMAINDER,
BOTH OVER min.1.25 µm Ni
Min.3 µm Ag im lokalisierte Bereich. Rest flashversilbert, beide über min.1.25 µm Ni
- 4 ALL VERSIONS SPLICE FREE EXCEPT OF 5
Alle Versionen Splice-free außer 5
- 5 SPLICE ACCORDING TO TYCO-SPEC. 118-10107 SPLICE ADDITIONAL MARK WITH RED SPLICE-STICKER ON THE INTERLEAVING PAPER AND ON THE REEL
Splice nach Tyco-Spec. 118-10107 zusätzlich Splice mit rotem Splice-Aufkleber auf dem Zwischenlagenpapier und auf dem Reel kennzeichnen
- 6 TO BE MEASURED BY DIMENSION 2 mm
Bei Ausstellung 2 mm
- 7 REELING TYPE
- 8 OBSOLETE
- 9 NUMBER OF SERRATIONS: 4 10 NUMBER OF SERRATIONS: 2



THIS DRAWING IS A CONTROLLED DOCUMENT.

DIMENSIONS: mm

TOLERANCES UNLESS OTHERWISE SPECIFIED: 0 PLC ±0.2 1 PLC ±0.2 2 PLC ±0.2 3 PLC ±0.2 4 PLC ±0.2 ANGLES ±1.5°

MATERIAL: see table siehe Tabelle

FINISH: see table siehe Tabelle

WEIGHT: -

SCALE: 5:1

SHEET: 1 OF 1

REV: A8

TE Connectivity

PRODUCT GROUP DRAWING FOR 2.8 mm FASTIN-FASTON® TAB

DRAWING NO. 1670467

CAGE CODE 00779

SIZE 116-18014