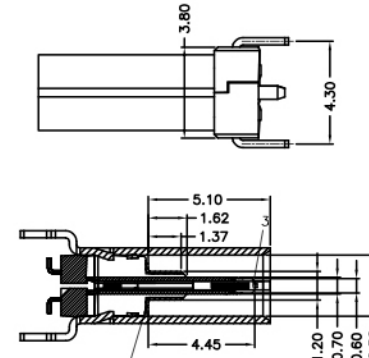
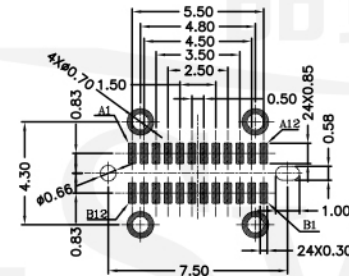
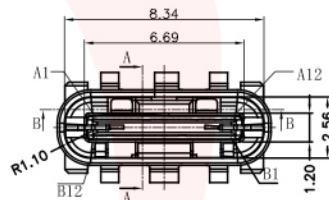


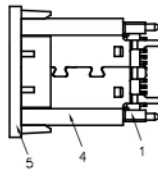
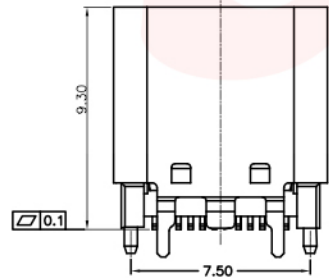
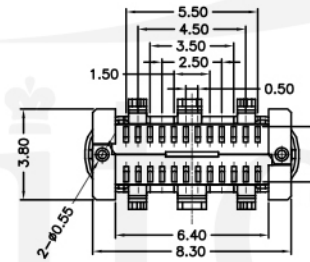
SECTION B-B
SCALE 1:1



SECTION A-A
SCALE 1:1



RECOMMENDED P.C.B. LAYOUT (T:1.00mm)
TOLERANCE UNSPECIFIED ± 0.05 mm



NOTES:

- MATERIAL:
MOLDING: LCP UL94 V-0
CONTACT: COPPER ALLOY.
GOLD PLATED Min ON CONTACT AREA, 100 μ m
Min TIN (LEAD FREE) ON SOLDER AREA,
SHELL: SUS304-H,T=0.30 \pm 0.03mm
50 μ m NICKEL PLATING OVER ALL.
- MECHANICAL:
INSERTION: 5~20N.
EXTRACTION: 8~20N AFTER TEST.
DURABILITY: 10000 CYCLES
- ELECTRICAL:
CURRENT: 5A FOR VBUS;
1.25A FOR GND PIN.
0.25A FOR OTHER.
VOLTAGE: 20 V MAX
WITHSTANDING VOLTAGE: 100V AC R.M.S.
CONTACT RESISTANCE: 40m Ω MAX.
INSULATION RESISTANCE: 100M Ω MIN.
- ENVIRONMENTAL
TEMPERATURE RANGE -25 $^{\circ}$ C ~ +85 $^{\circ}$ C



RoHS
Compliant
2002/95/EC



G-Switch Electronic (HongKong) CO., Ltd.

Unless otherwise specified, Tolerance:

| | |
|--------|-----------------|
| X. | ± 0.30 |
| X.x | ± 0.20 |
| X.xx | ± 0.15 |
| X.xxx | ± 0.10 |
| Angles | $\pm 3^{\circ}$ |

DESIGN 陈锋枫 DATE 2016.05.29

APPROVED DATE

<http://www.dg-switch.com>

TEL: 0769-82388879

TITLE:

GT-USB-7019

REV.: X1 SCALE: 4:1 UNIT: mm

SIZE: A4 SHEET: 1/1

