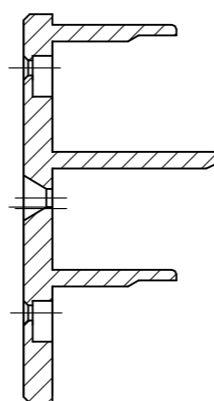
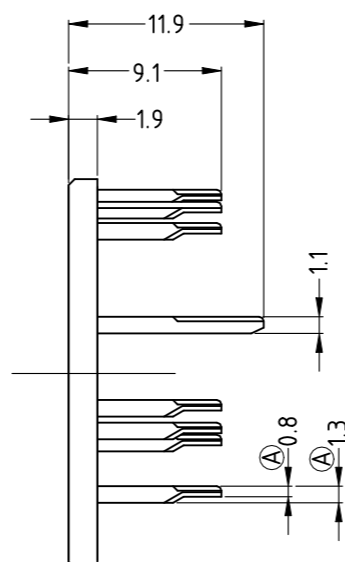
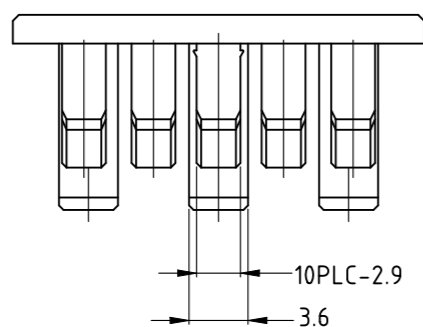
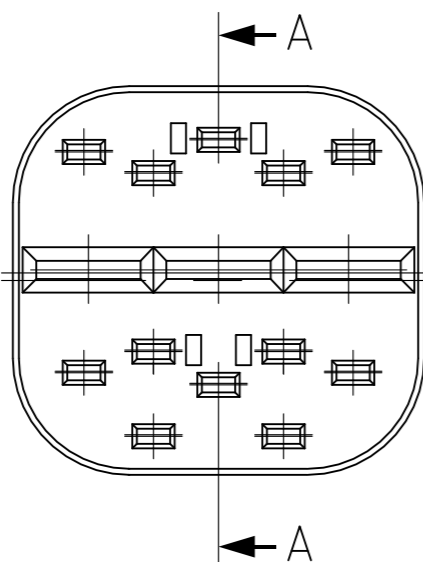
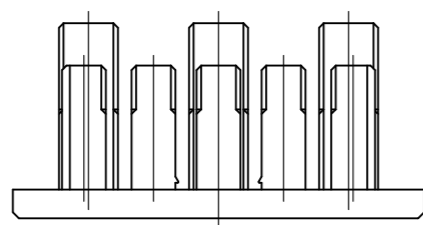
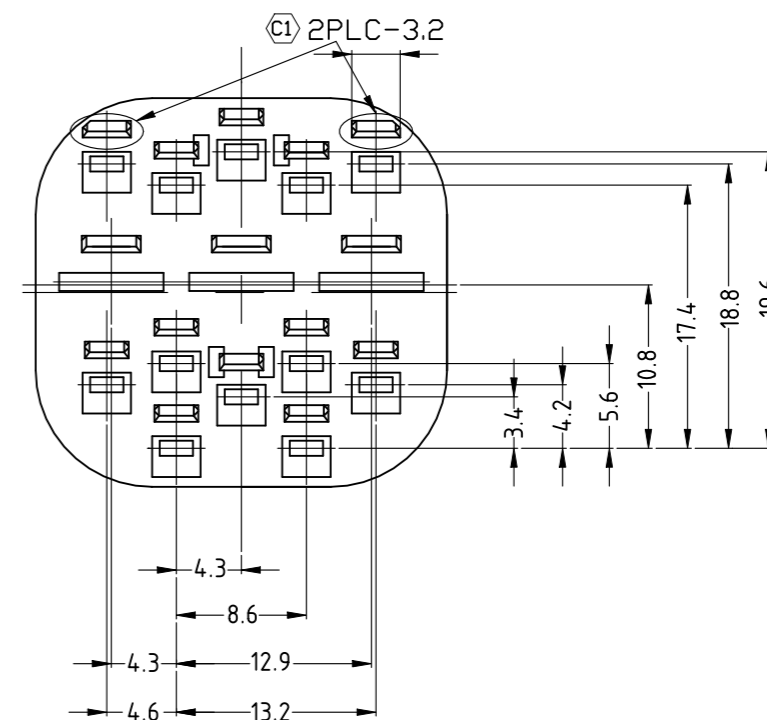


REVISIONS

P	LTR	DESCRIPTION	DATE	DWN	APVD
	C1	REVISED (ECR-22-125598)	04JAN2022	SY	YJ



SECTION A-A  
SCALE 2:1



NOTE:  
1. TO BE MATED WITH PLUG HOUSING (P/N: 85263, 368300)

NO	PART NO.	DESCRIPTION	COLOR
1	0-085223-1	070 / 250 15P DBL PLATE FOR HSG	YELLOW

THIS DRAWING IS A CONTROLLED DOCUMENT.

DIMENSIONS: mm	TOLERANCES UNLESS OTHERWISE SPECIFIED: ± 0.25
	0 PLC ± - 1 PLC ± - 2 PLC ± - 3 PLC ± - 4 PLC ± - ANGLES ± 3°
MATERIAL PBT	FINISH -

DWN JW JUNG	-
CHK BM JANG	-
APVD CS LEE	-
PRODUCT SPEC	-
APPLICATION SPEC	-
WEIGHT	-

**STE** TE Connectivity

070 / 250 15P DBL PLATE FOR HSG  
ECONOSEAL J-MARKII+ CONN.

SIZE	CAGE CODE	DRAWING NO	RESTRICTED TO
A3	00779	C-85223	-

CUSTOMER DRAWING SCALE 2:1 SHEET 1 OF 1 REV C1