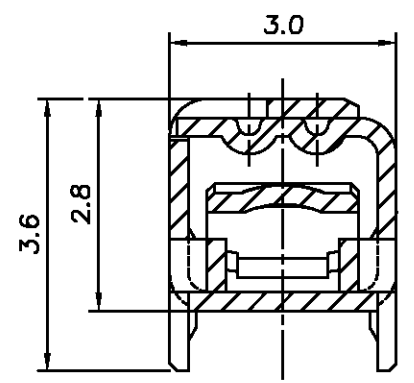


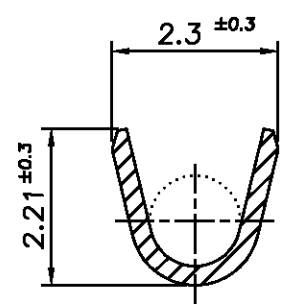
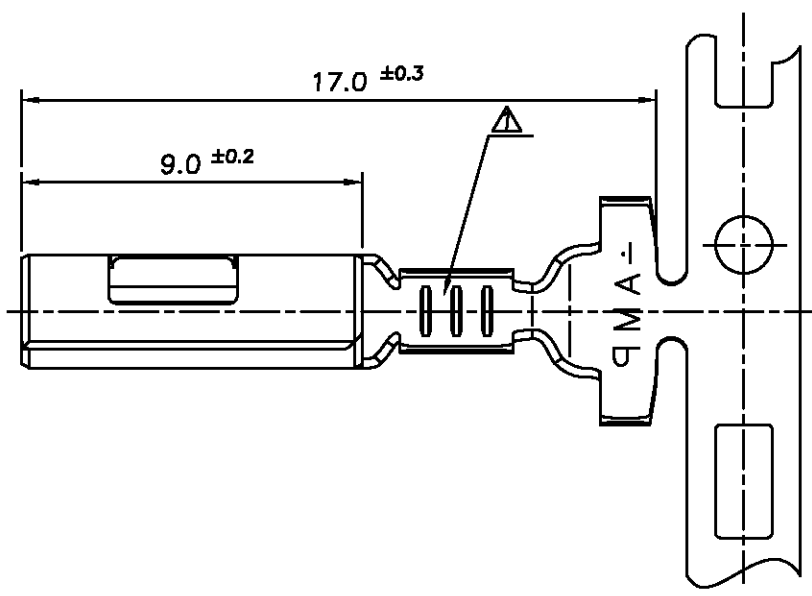
THIS DRAWING IS UNPUBLISHED. RELEASED FOR PUBLICATION .1998 .
 © COPYRIGHT 1998 BY AMP KOREA. ALL RIGHTS RESERVED.

LOC		DIST		REVISIONS			
P	LTR	DESCRIPTION		DATE	DWN	APVD	
	0	RELEASED	PER ECN FC00-0107-98	30.NOV'98	YM	CS	

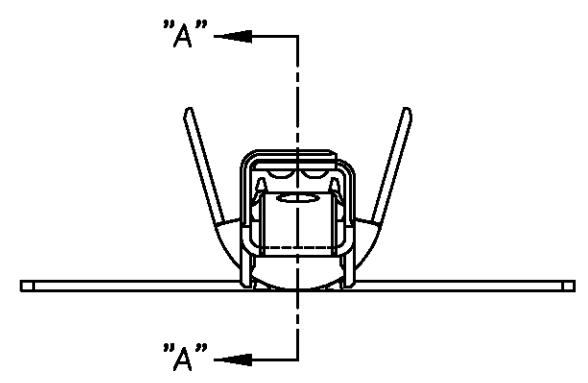
D
C
B
A



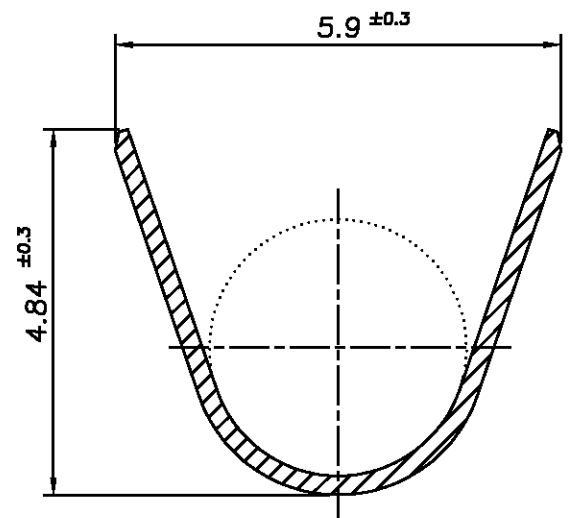
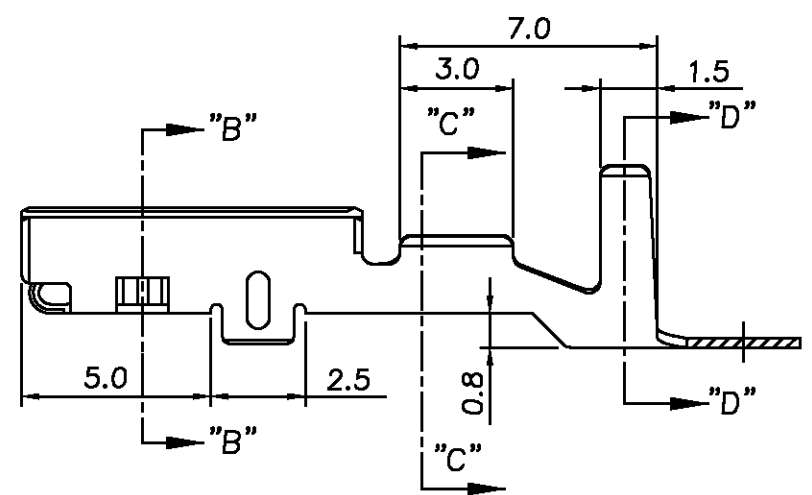
SECTION "B-B"
scale 10/1



SECTION "C-C"
scale 10/1



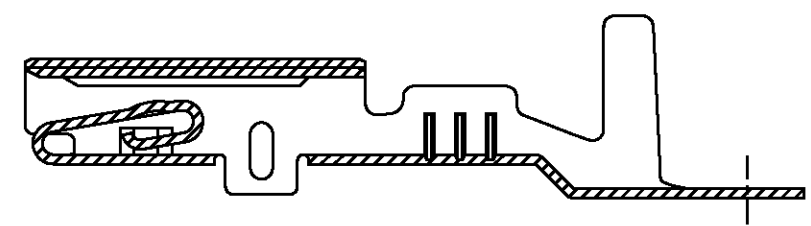
SECTION "A-A"



SECTION "D-D"
scale 10/1

* NOTES

△ THREE SERRATIONS CENTERED IN WIRE BARREL.
 2 WIRE SIZE EQUIV AVSS 0.3 ~ AVS 0.5sqmm.



<small>THIS DRAWING IS CONTROLLED DOCUMENT FOR AMP KOREA. IT IS SUBJECT TO CHANGE AND THE CONTROLLING ENGINEERING ORGANIZATION SHOULD BE CONTACTED FOR THE LATEST REVISION.</small>		DWN	YM CHOI	30.NOV'98	AMP AMP KOREA. kyungsan, korea
DIMENSIONS: MM		CHK	BM JANG	30.NOV'98	
		APVD	CS LEE	30.NOV'98	
TOLERANCES UNLESS OTHERWISE SPECIFIED: 0 <XX<10 ± 0.2 10<XX<30 ± 0.25 ANGLES ± 3°		PRODUCT SPEC	108-61034		
MATERIAL		APPLICATION SPEC	114-		NAME
BRASS STRIP 0.25THK.		FINISH	PRE-TINNED		.090 II SEALED RECEPTACLE
		WEIGHT	0.34gf		SIZE
					A3
					CAGE CODE
					00779
					DRAWING NO
					3 6 8 2 8 7
					SCALE
					5/1
					SHEET
					1 OF 1
					REV
					0