

4

3

2

1

THIS DRAWING IS UNPUBLISHED.

RELEASED FOR PUBLICATION

20

© COPYRIGHT 20 BY -

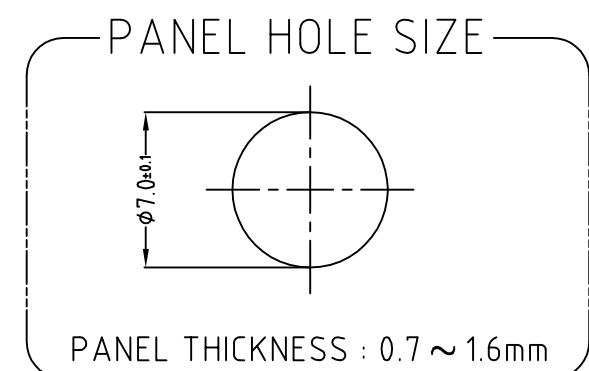
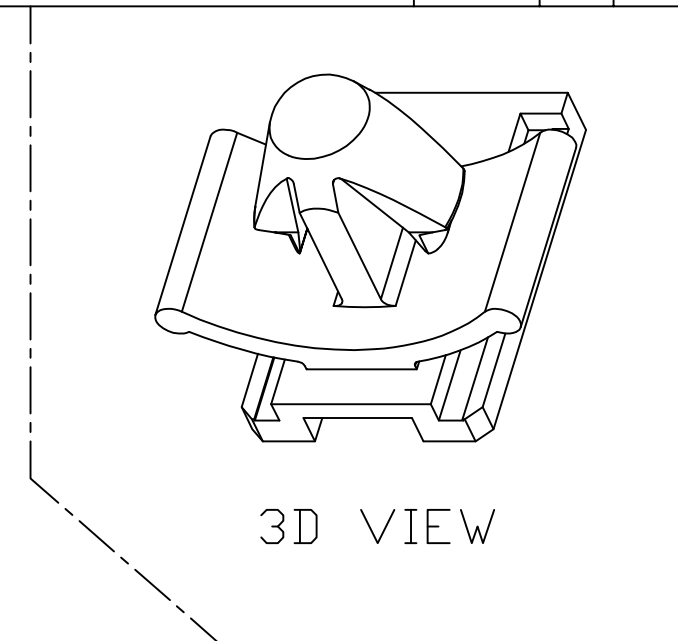
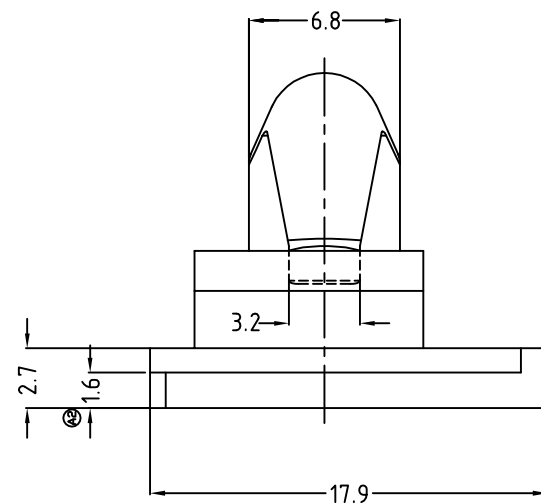
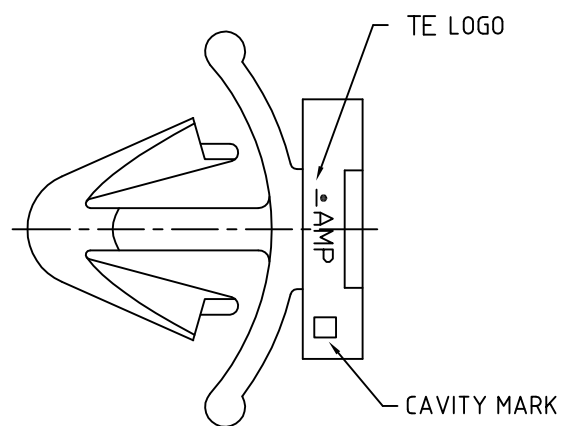
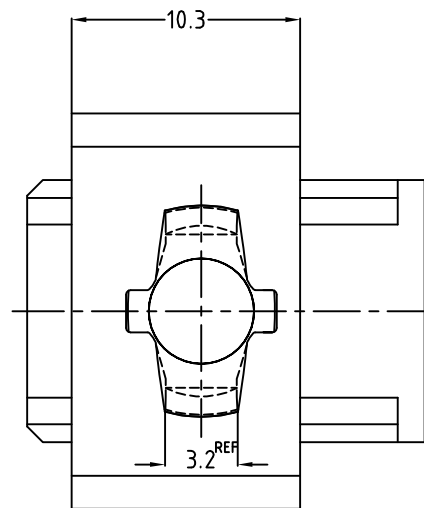
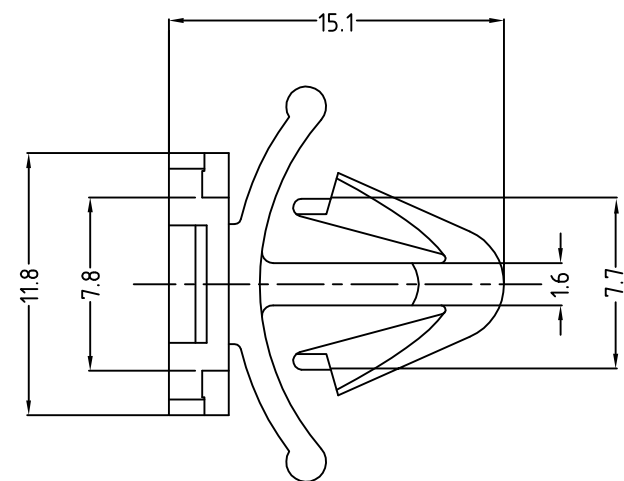
ALL RIGHTS RESERVED.

LOC DS

DIST -

REVISIONS

P	LTR	DESCRIPTION	DATE	DWN	APVD
	A3	REVISED (ECR-13-005245)	07.MAR.'13	JM	HG



BLACK	PA66	368260-2
NATURAL	PA66	368260-1
COLOR	MATERIAL	P/N

THIS DRAWING IS A CONTROLLED DOCUMENT.		DWN JM JEON			
		CHK JW JUNG			
DIMENSIONS: MM	TOLERANCES UNLESS OTHERWISE SPECIFIED: 0 <XX<10 ± 0.2 10<XX<30 ± 0.25 30<XX ± 0.3 ANGLES ± 3°	APVD HG CHD	NAME CLIP HSG FOR .090II MLC(φ7 HOLE)		
		PRODUCT SPEC -			
		APPLICATION SPEC -			
MATERIAL -		WEIGHT -	SIZE A3	CAGE CODE 00779	DRAWING NO C=368260
FINISH		RESTRICTED TO -			SCALE 3/1
		SHEET 1 OF 1			REV A3