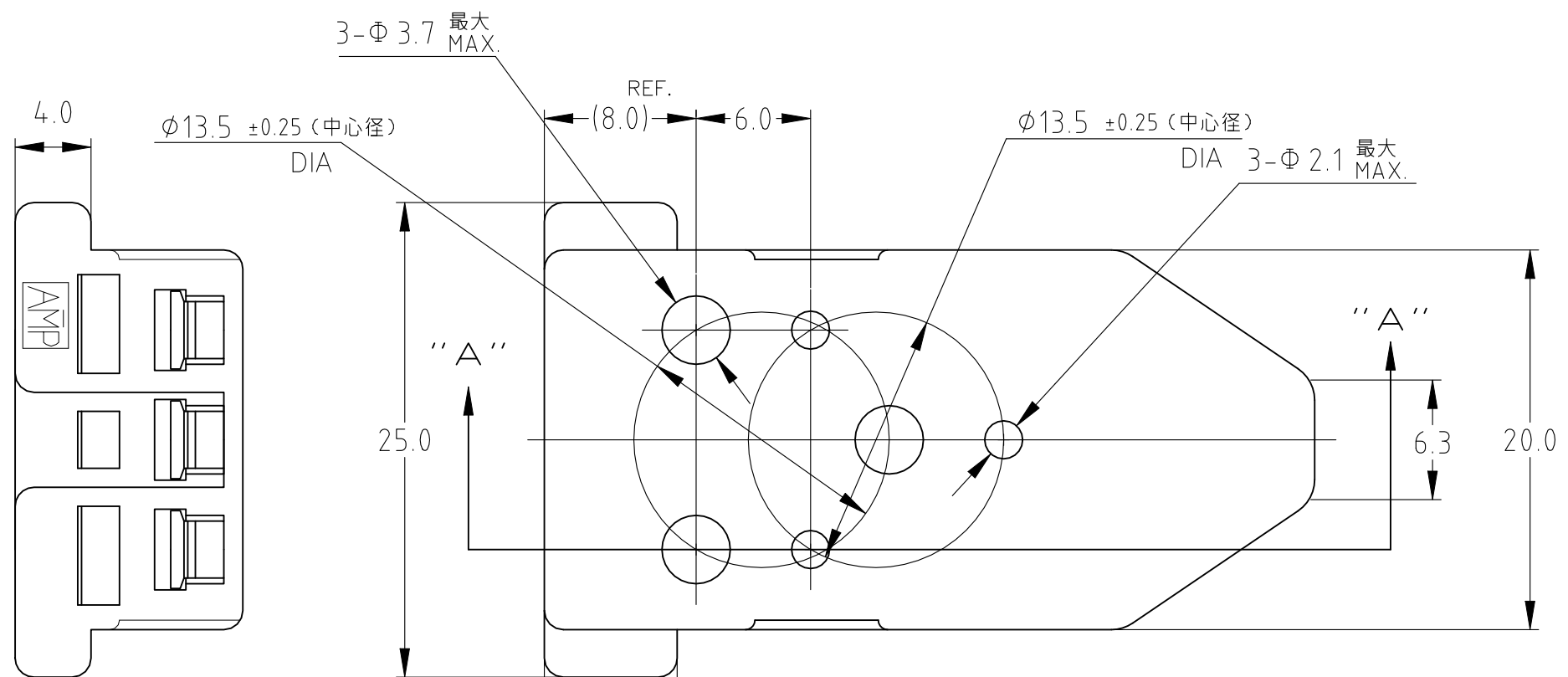
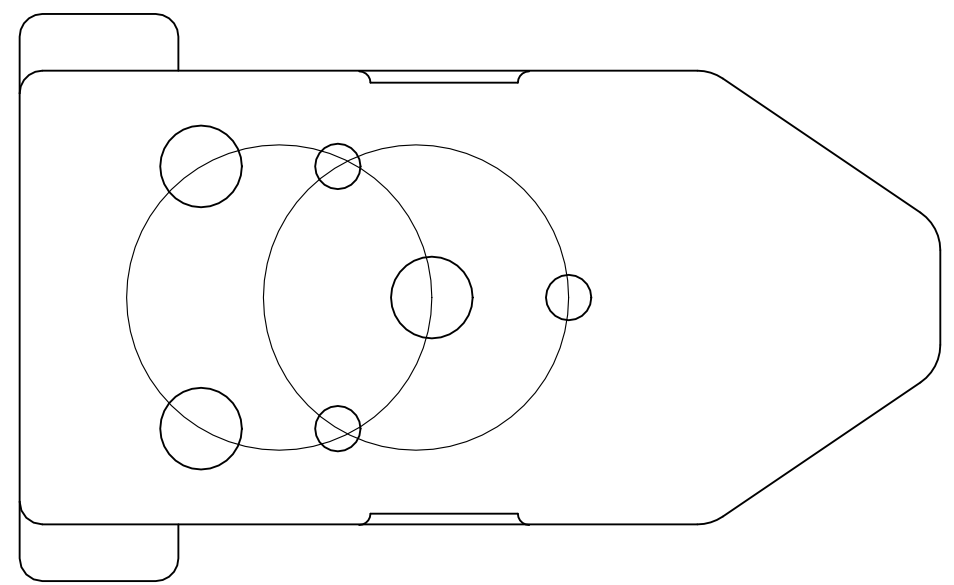


THIS DRAWING IS UNPUBLISHED. RELEASED FOR PUBLICATION OCT. 18 .
 © COPYRIGHT 2002 Tyco Electronics JAPAN G.K. ALL RIGHTS RESERVED.

REVISIONS 変更					
P	LTR	DESCRIPTION	DATE	DWN	APVD
	C1	REVISED PER ECR-16-004471	30MAY2016	K.S	PKS
	C2	REVISED PER ECR-21-122909	05DEC2021	JJ	TD

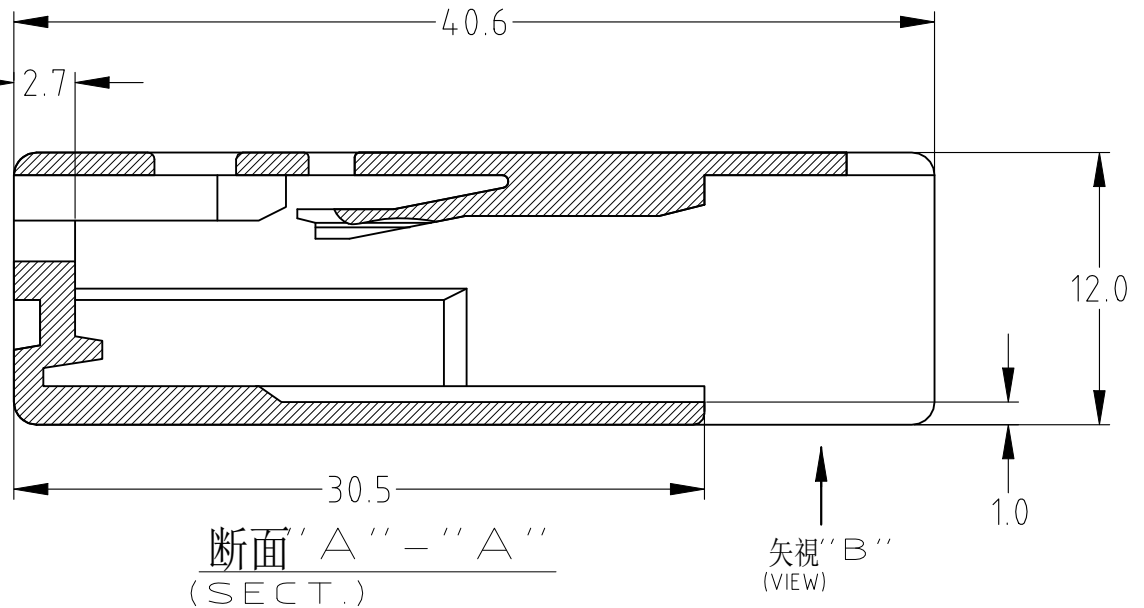


注記
 1. 適用コンタクト 316294, 316292
 △耐加水分解PBT
 1. APPLICABLE CONTACT : 316294, 316292
 △ MATERIAL; HYDROLYTIC CLEAVAGE RESISTANCE PBT



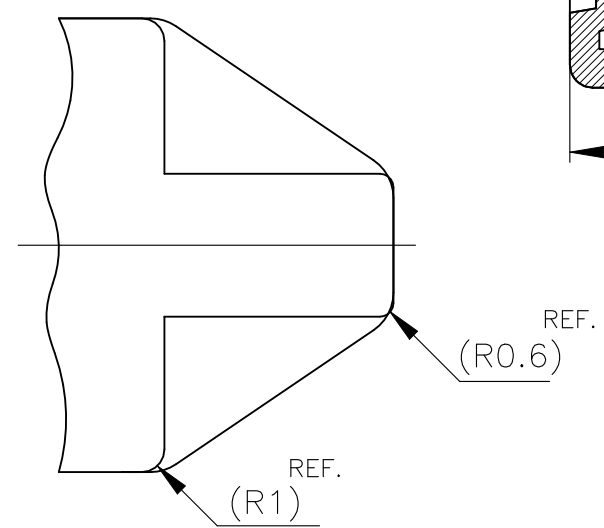
DENT LOCATION FOR 316293-3

DENT LOCATION FOR 316293-1/2



断面 "A" - "A"
(SECT.)

矢視 "B"
(VIEW)



矢視 "B"
(VIEW)

自然色 (NATURAL)	LCP (UL94V-0)	316293-3
黒 (BLACK)	△耐加水分解PBT(ガラス強化) GLASS FILLED (UL94HB)	316293-2
自然色 (NATURAL)	PBT(ガラス強化)(UL94HB) GLASS FILLED	316293-1
色調 (COLOR)	材料 (MATERIAL)	型番 (P/N)

THIS DRAWING IS A CONTROLLED DOCUMENT.

DWN M.SUZUKI 18OCT02	TE Connectivity 3.2Φクラスター・ブロック 3.2DIA CLUSTER BLOCK	NAME M.SHINDO
CHK M.SHINDO 18OCT02		PRODUCT SPEC 製品規格 108-5494
APVD M.SHINDO 18OCT02		APPLICATION SPEC 取付適用規格 114-5215
WEIGHT 0		RESTRICTED TO -
DIMENSIONS: 単位: 耗 mm	TOLERANCES UNLESS OTHERWISE SPECIFIED: 一般公差	SIZE A3
0 PLZ ± 0.3	1 PLZ ± -	CAGE CODE 00779
1 PLZ ± -	2 PLZ ± -	DRAWING NO C-316293
2 PLZ ± -	3 PLZ ± -	SCALE 尺度 3:1
3 PLZ ± -	4 PLZ ± -	SHEET 1 OF 1
4 PLZ ± -	ANGLES ± 3 deg	REV C2
MATERIAL 材料 SEE TABLE	FINISH 仕上	

CUSTOMER DRAWING