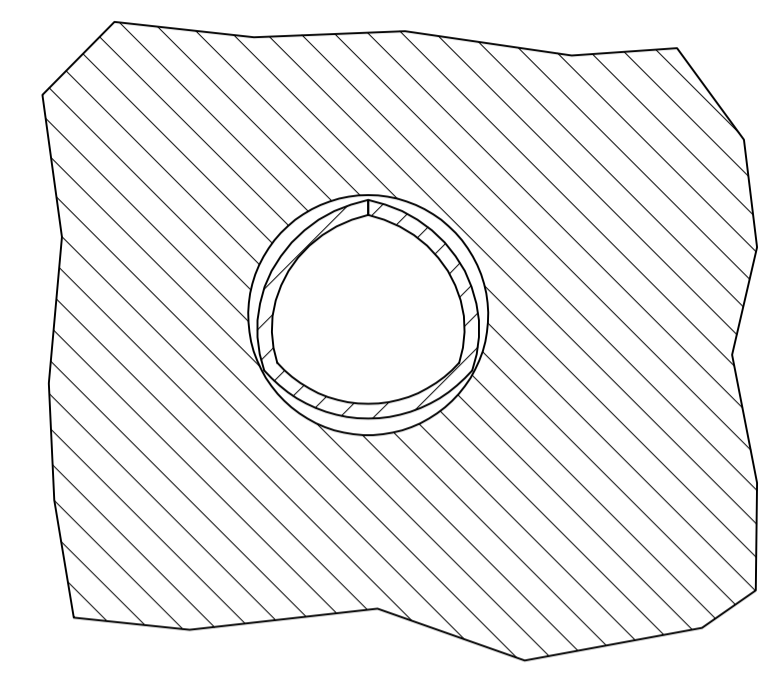
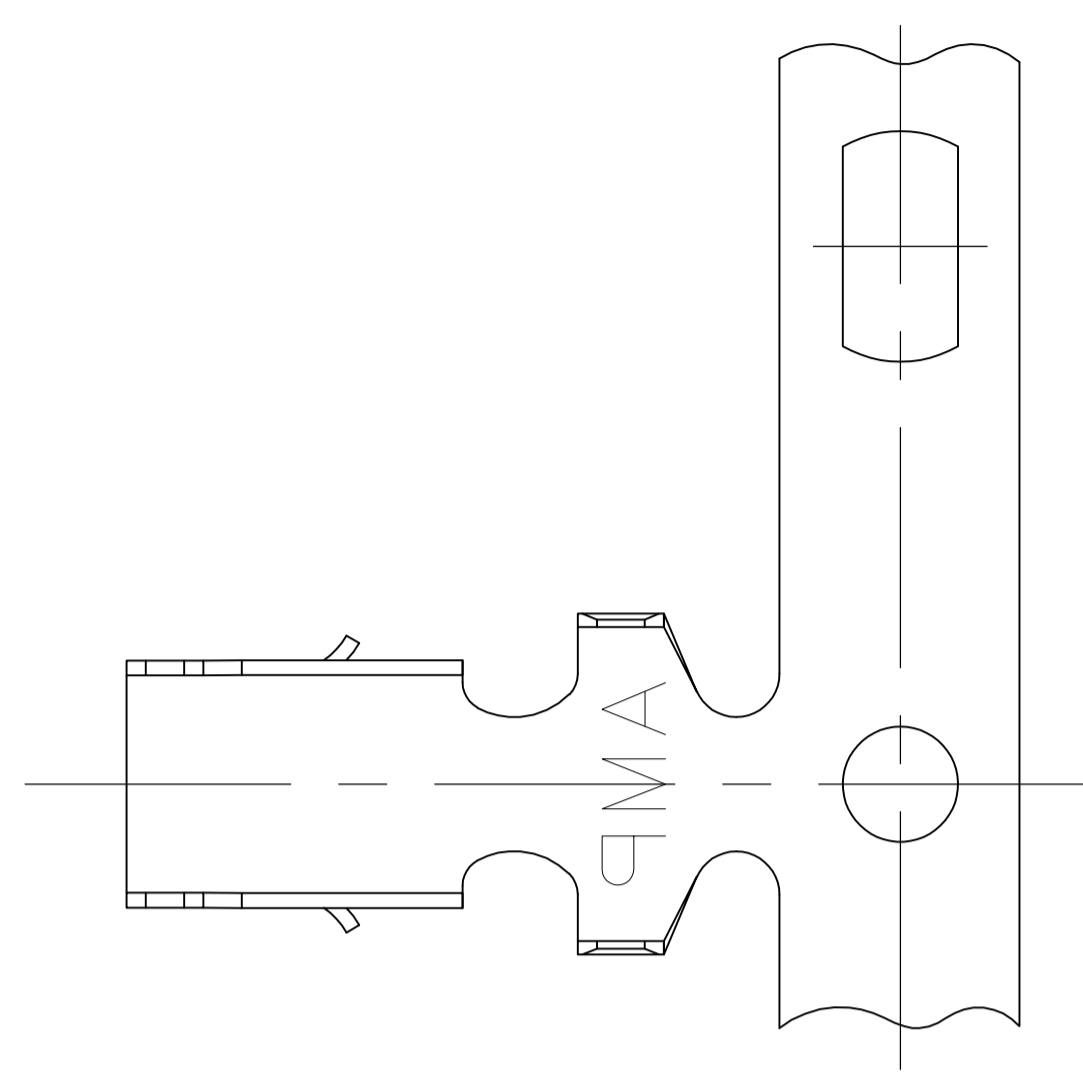
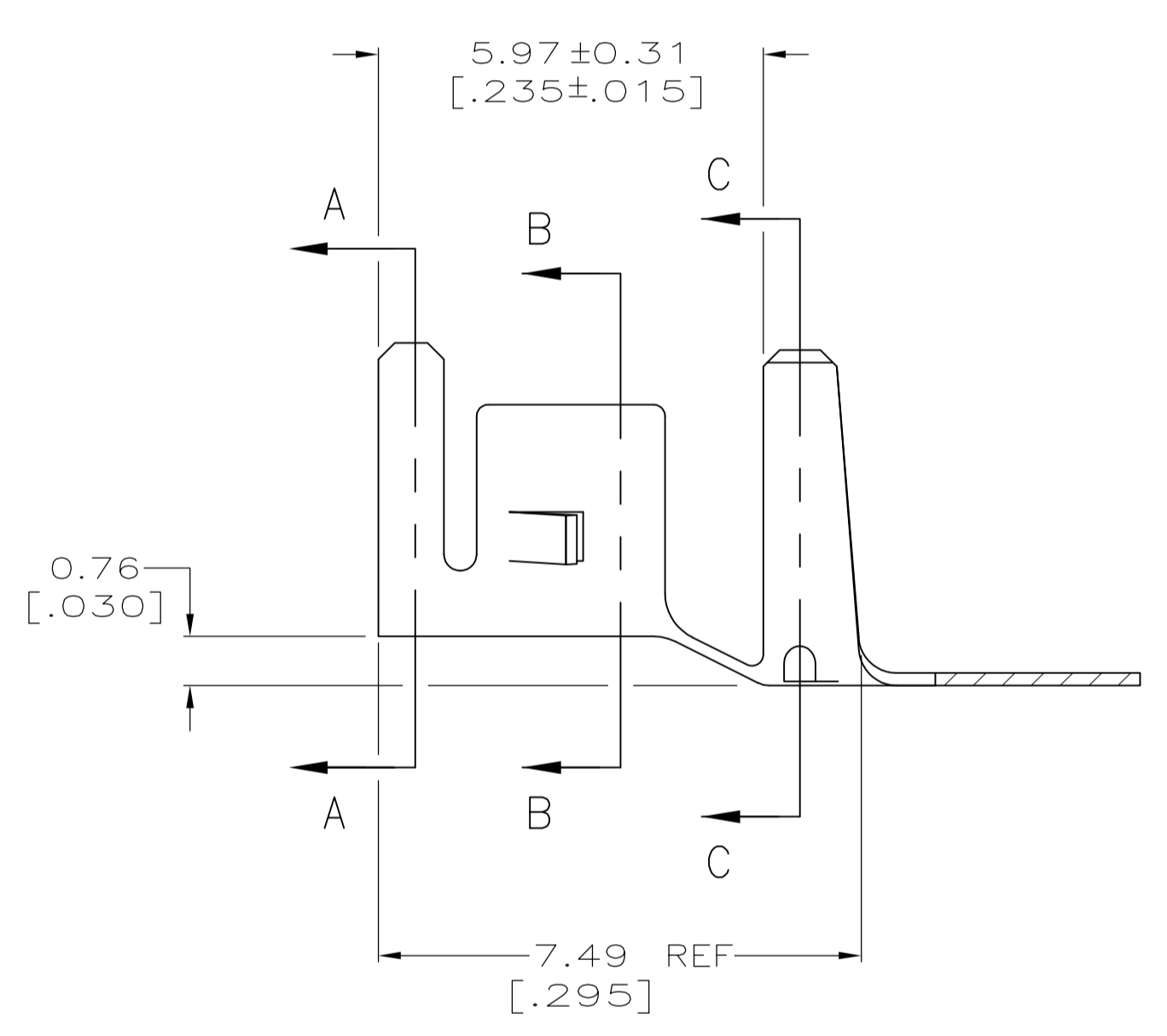


| LOC | | DIST | | REVISIONS | | | |
|-----|-----|---------------------------|---------|-----------|------|--|--|
| P | LTR | DESCRIPTION | DATE | DMN | APVD | | |
| B2 | | REVISED PER ECO-12-014997 | 23AUG12 | KH | SM | | |

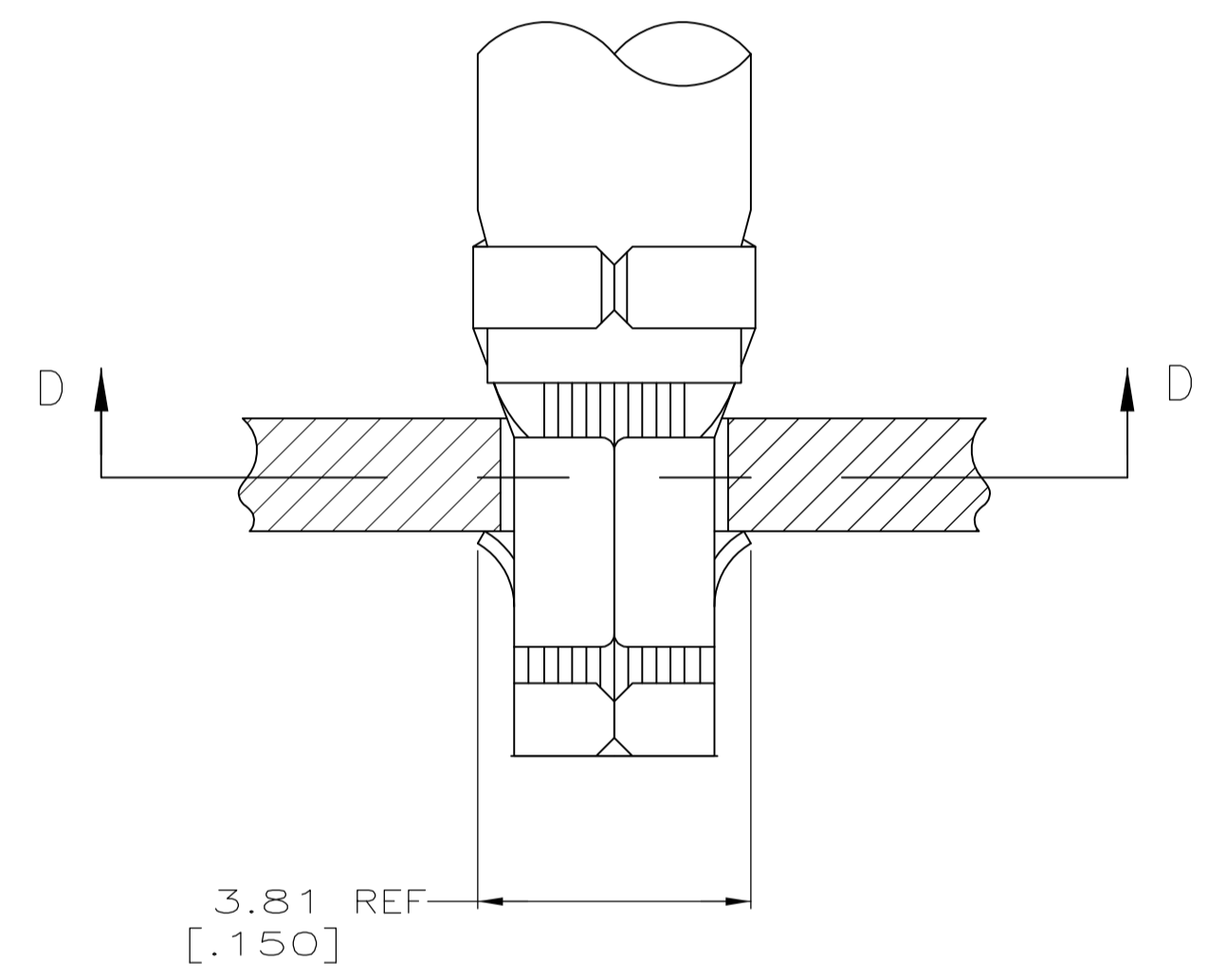
- 1 PARTS COMPLY WITH AMP SOLDERABILITY SPEC 109-11-5.
- 2 0.00508 [.000200] MIN BRIGHT TIN-LEAD.
- 3 WIRE RANGE: 3 mm² (12 AWG).
- 4 INSULATION RANGE: 2.29 - 3.81 [.090 - .150] DIA.
- 5 DIMENSIONS IN BRACKETS ARE IN INCHES.
- 6 0.00508 [.000200] MIN BRIGHT TIN.



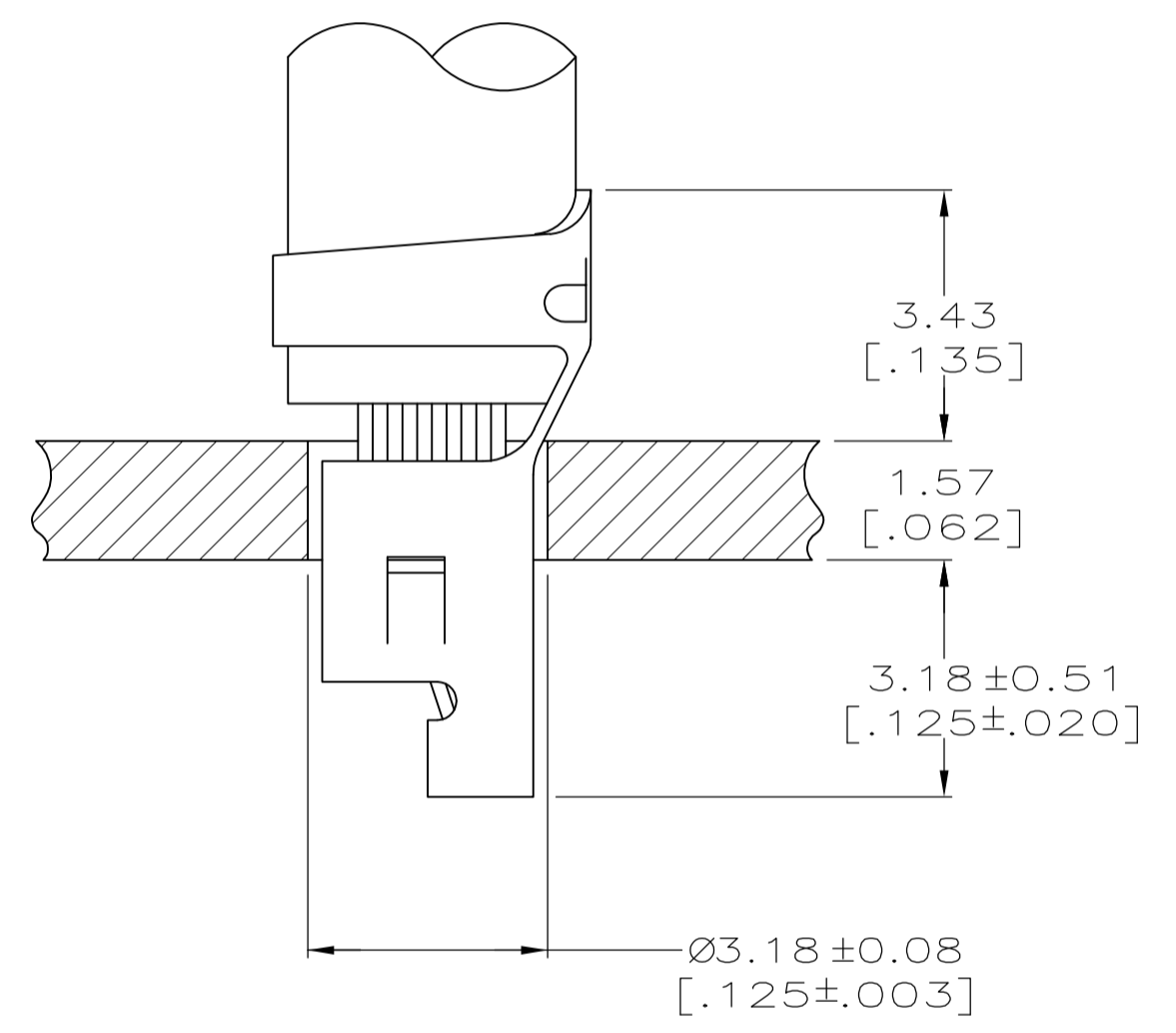
SECTION D-D



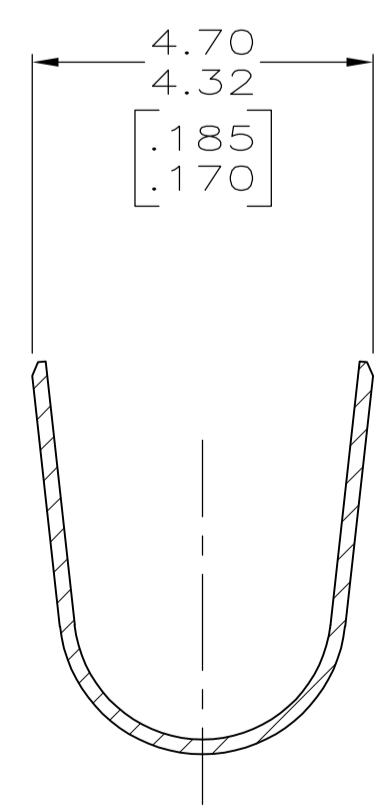
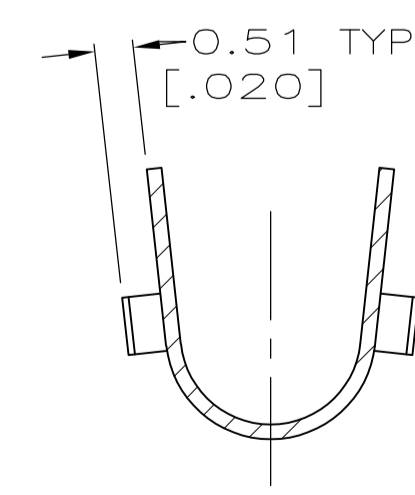
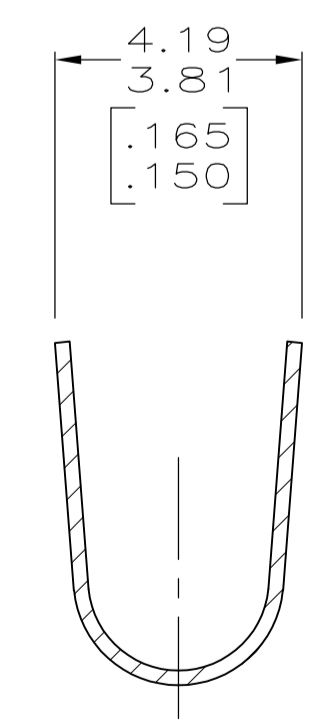
SECTION A-A



SECTION B-B



SECTION C-C



| | |
|--------|---------------------|
| 6 | 3-794013-1 |
| 2 | 794013-1 |
| FINISH | PART NO. |

SUPERSEDED BY 3-794013-1

| | | | | | | | | | |
|--|--|--|--|-------------------------|--|----------------------|--|-----------------|--|
| THIS DRAWING IS A CONTROLLED DOCUMENT. | | DIN S. CARPENTER 21AUG2003 | | APVD J. ELLIS 21AUG2003 | | NAME | | TE Connectivity | |
| DIMENSIONS: INCHES | | TOLERANCES UNLESS OTHERWISE SPECIFIED: | | APPLICATION SPEC | | SIZE | | RESTRICTED TO | |
| 0 PLC ± | | 1 PLC ± | | 114-1016 | | CAGE CODE | | DRAWING NO | |
| 2 PLC ± | | 2 PLC ± 0.13 [.005] | | WEIGHT | | SCALE | | SHEET | |
| 3 PLC ± | | 3 PLC ± | | CUSTOMER DRAWING | | 10:1 | | 1 OF 1 | |
| 4 PLC ± | | 4 PLC ± | | MATERIAL | | 0.198 [.0078] PH BRZ | | REV | |
| ANGLES ± | | FINISH | | 00779 | | 794013 | | B2 | |

METRIC